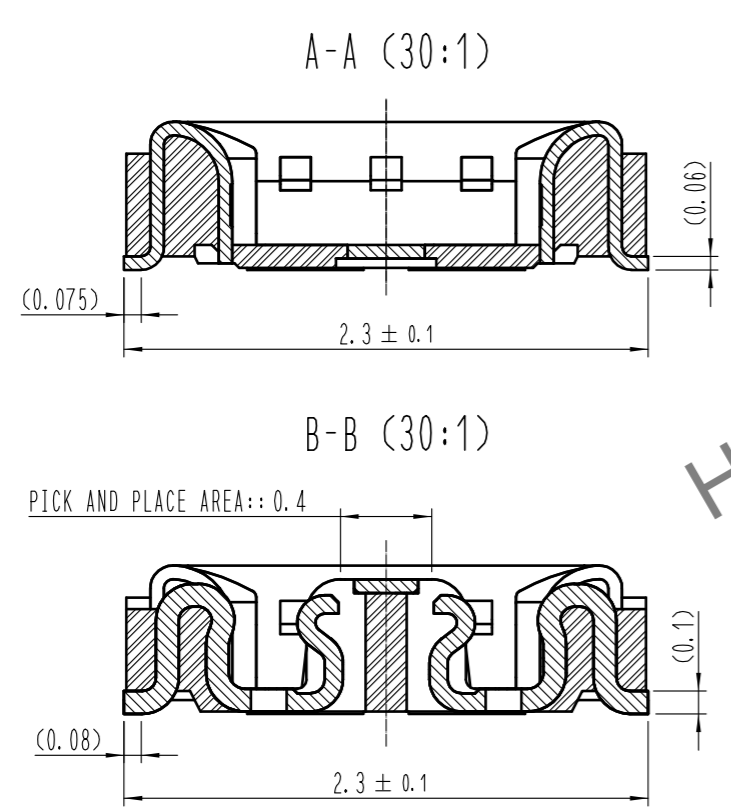
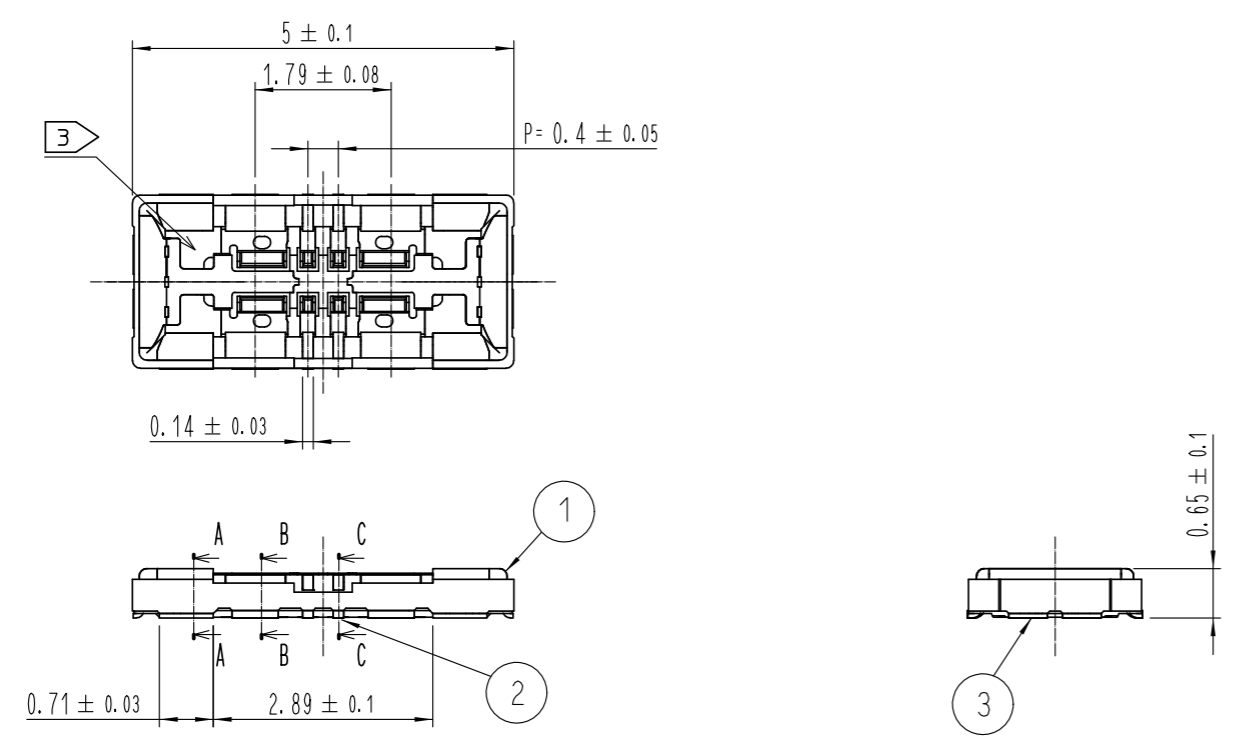


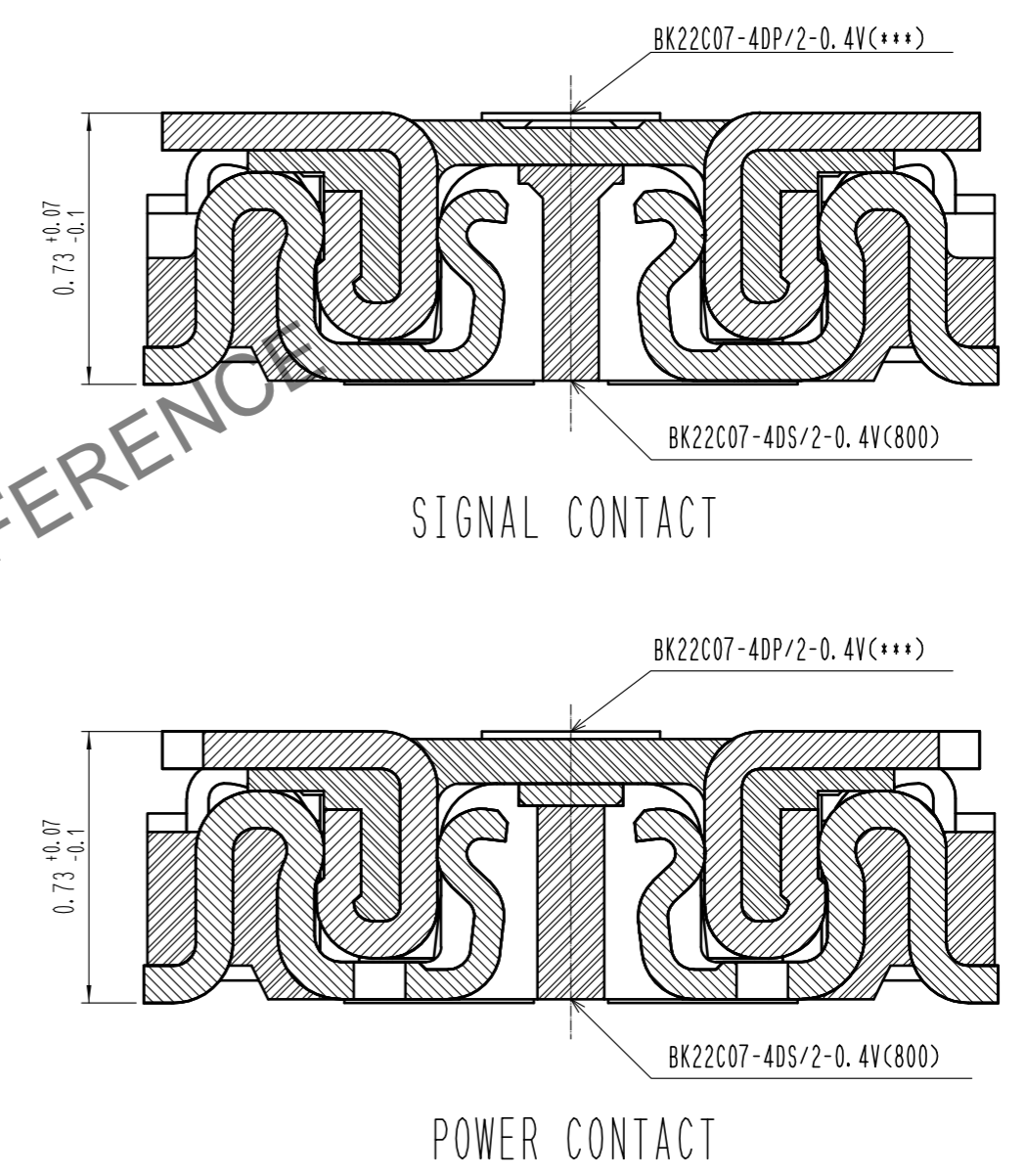
Mar.1.2026 Copyright 2026 HIROSE ELECTRIC CO., LTD. All Rights Reserved.  
In case of consideration for using Automotive equipment / device which demand high reliability, kindly contact our sales window correspondents.

△數 COUNT	訂正事項 DESCRIPTION OF REVISIONS	擔當 B Y	檢圖 CHKD	年月日 DATE	△數 COUNT	訂正事項 DESCRIPTION OF REVISIONS	擔當 B Y	檢圖 CHKD	年月日 DATE
△	- RE-6-2419	YJM	JHW	21. 09 .28	△				
△					△				
△					△				



HRS DRAWING FOR REFERENCE

### ENGAGEMENT FIGURE (50:1)



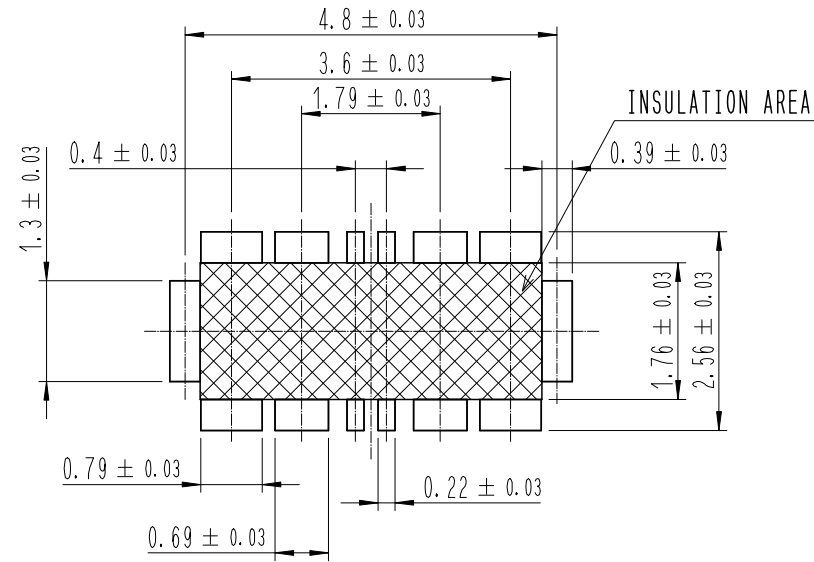
NOTE

- ALL LEAD CO-PLANARITY SHALL BE 0.08mm MAX.
- CONTACT PLATING SPECIFICATIONS  
CONTACT AREA : GOLD 0.05  $\mu$ m MIN  
SMT LEAD : GOLD 0.05  $\mu$ m MIN  
UNDER PLATING : NICKEL 1  $\mu$ m MIN  
( SURFACE : SEALING )
- CAV NO. ARE INDICATED IN APPROX POSITION SHOWN.

4	PS	CLEAR (EMBOSSED CARRIER TAPE)			
3	COPPER ALLOY	$\text{2}$			
2	COPPER ALLOY	$\text{2}$	6	PS	BLACK (PLASTIC REEL)
1	LCP	UL94 V-0, BLACK	5	POLYESTER	CLEAR (COVER TAPE)
NO.	MATERIAL	FINISH, REMARKS	NO.	MATERIAL	FINISH, REMARKS
REMARKS			DRAWN	DESIGNED	CHECKED
			D. K. YUN	D. K. YUN	S. Sunaga
			20.12.29	20.12.29	20.12.29
			APPROVED	RELEASED	
			H. W. JO		
			20.12.29		
HUAWEI CODE NO.	DRAWING NO.	PART NO.			
	EDC3-633242-80	BK22C07-4DS/2-0.4V(800)			
SCALE	UNITS	CODE NO.			
10:1	mm	CL 6677-0002-0-800		1/3	
HRS HIROSE KOREA CO., LTD.					

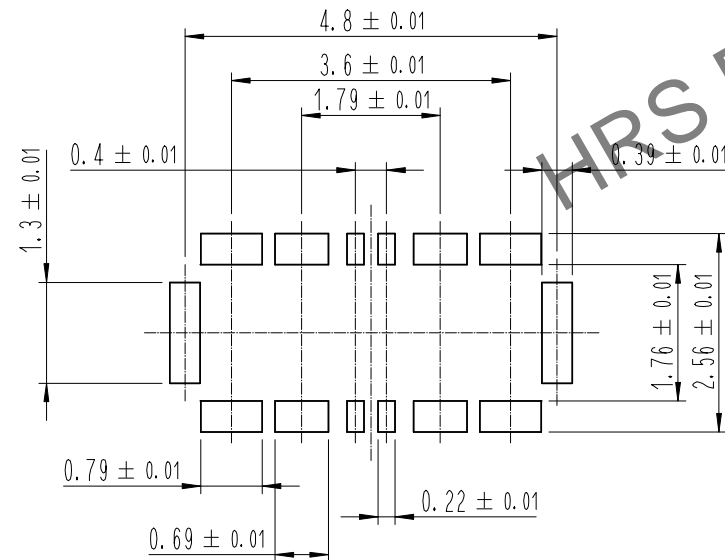
Mar.1.2026 Copyright 2026 HIROSE ELECTRIC CO., LTD. All Rights Reserved.  
In case of consideration for using Automotive equipment, kindly contact our sales window correspondents.

5 RECOMMENDED PCB LAYOUT

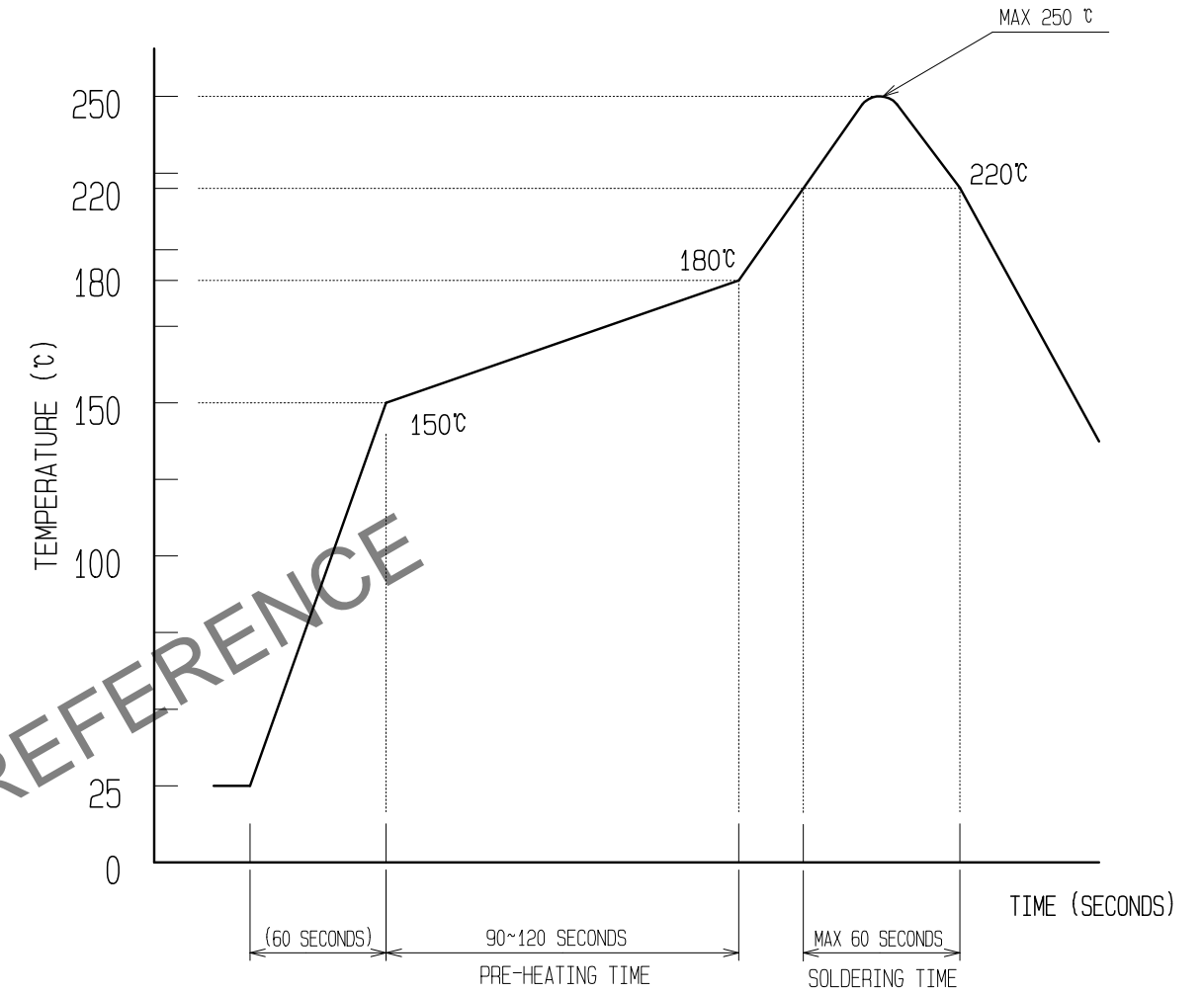


RECOMMENDED METAL MASK DIMENSIONS

METAL MASK THICKNESS : 80 μm



4 RECOMMENDED REFLOW TEMPERATURE PROFILE USING LEAD-FREE SOLDER PASTE.

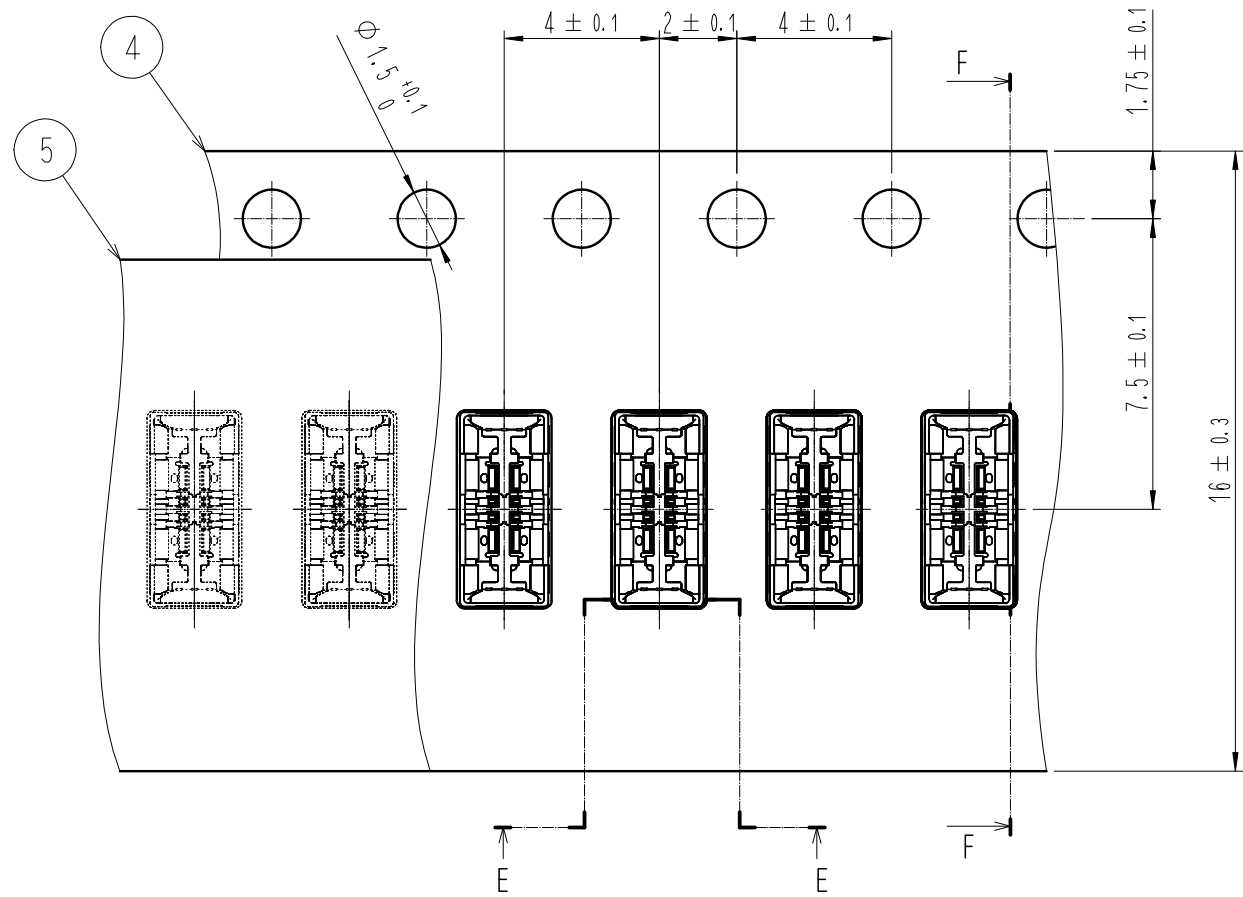


REFLOW METHOD : N<sub>2</sub> REFLOW  
 NUMBER OF REFLOW CYCLES : 2 CYCLES MAX.  
 1) REFLOW TIME  
 DURATION ABOVE 220°C, 60 SEC MAX.  
 (PEAK TEMPERATURE : 250°C MAX)  
 2) PRE-HEAT TIME  
 PRE-HEAT TEMPERATURE(MIN): 150°C  
 PRE-HEAT TEMPERATURE(MAX): 180°C  
 PRE-HEAT TIME: 90-120 SEC.

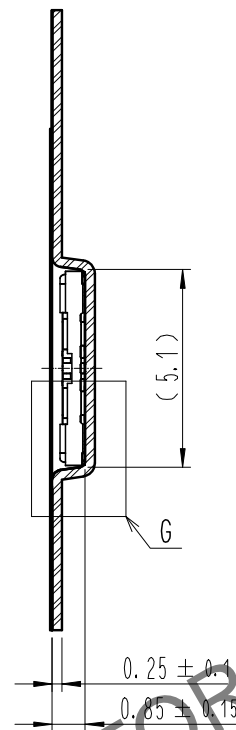
- 4 THIS TEMPERATURE PROFILE IS PER THE CONDITIONS SHOWN ABOVE. ADDITIONAL FACTORS SUCH AS SOLDER PASTE TYPE, PCB SIZE AND OTHER MOUNTED COMPONENTS COULD AFFECT THE PROFILE. THEREFORE, A THOROUGH EVALUATION OF MOUNTING CONDITION IS REQUIRED PRIOR TO PRODUCTION. TEMPERATURE IS MEASURED AT CONTACT LEAD.
- 5 PLEASE CONTACT US IN CASE YOU WILL MAKE DIFFERENT SETTINGS FROM OUR RECOMMENDATION.
- 6 THIS PRODUCT SATISFIES HALOGEN FREE REQUIREMENTS DEFINED AS 900ppm MAXIMUM CHLORINE, 900ppm MAXIMUM BROMINE, AND 1500ppm MAXIMUM TOTAL OF CHLORINE AND BROMINE.
- 7 THIS PRODUCT COMPLY WITH RoHS.

 SCALE 1:1 UNITS mm	DRAWING NO. EDC3-633242-80	PART NO. BK22C07-4DS/2-0.4V(800)
	HIROSE KOREA CO., LTD.	CODE NO CL 6677-0002-0-800

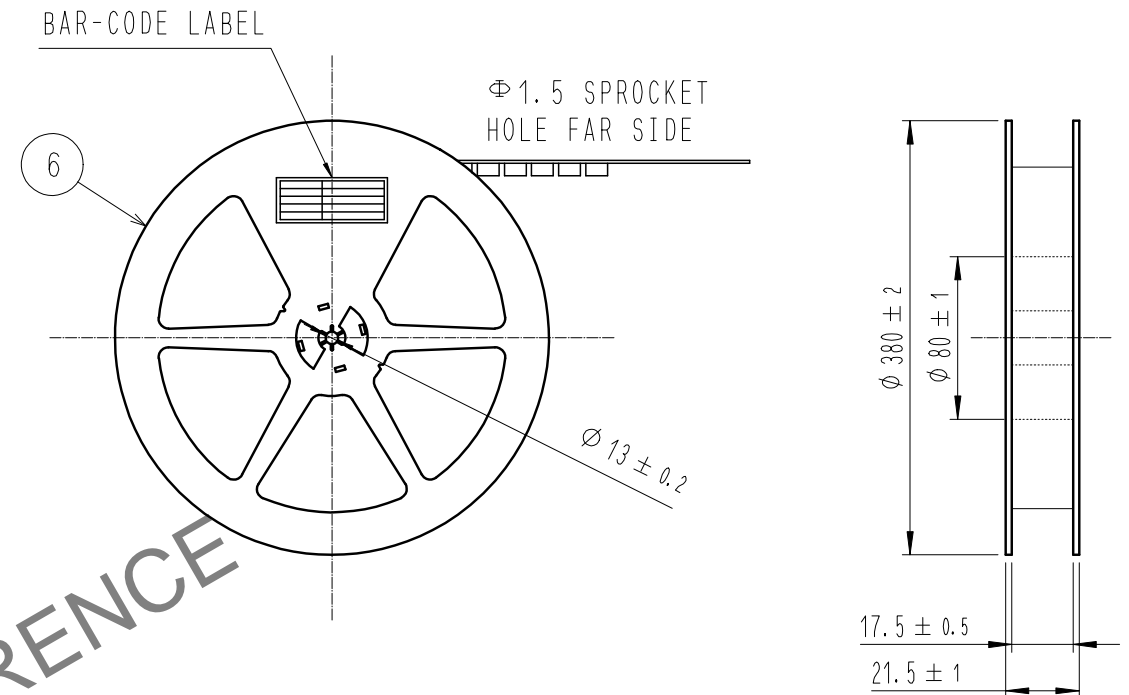
EMBOSED CARRIER TAPE PACKAGING (5:1)



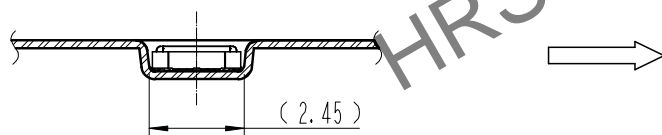
F-F (5:1)



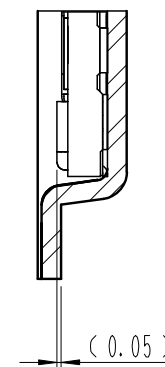
STYLE AND DIMENSION OF REEL (FREE)



E-E (5:1)

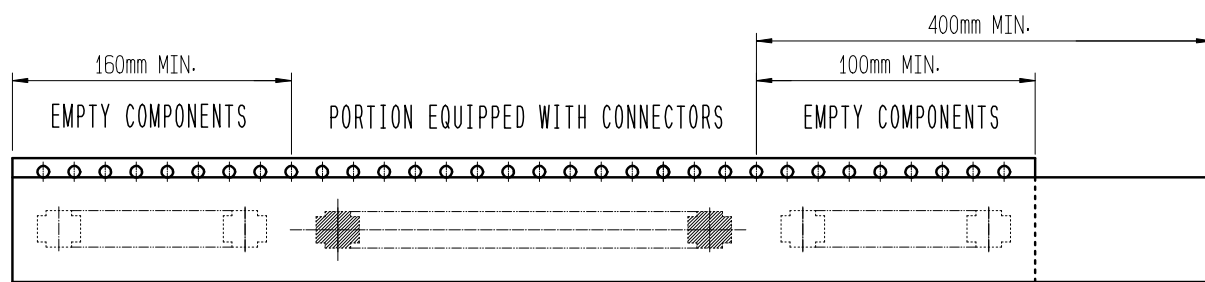


G (10:1)



DETAIL OF PART No. LABEL

SUPPLIER	
QUANTITY	
PART NO.	
CODE NO.	
DATE OF MANUFACTURED	
生産月日	年 月 日
図番	** ** *
品名	BK22C07-4DS/2-0.4V(800)
納入数量	20,000個
納入者	HIROSE KOREA



TAPING (FREE)

- 8 . PER REEL 20,000 CONNECTORS.
- 9 . THE DIMENSIONS IN PARENTHESES ARE FOR REFERENCE.
- 10 . REFER TO JIS C 0806, IEC-60286-3 (PACKAGING OF COMPONENTS FOR AUTOMATIC HANDLING)

DRAWING NO. EDC3-633242-80	PART NO. BK22C07-4DS/2-0.4V(800)	SCALE 10:1	UNITS mm	HIROSE KOREA CO., LTD.	CODE NO. CL 6677-0002-0-800	3/3

Mar.1.2026 Copyright 2026 HIROSE ELECTRIC CO., LTD. All Rights Reserved. In case of consideration for using Automotive equipment device which demand high reliability, kindly contact our sales window correspondents.