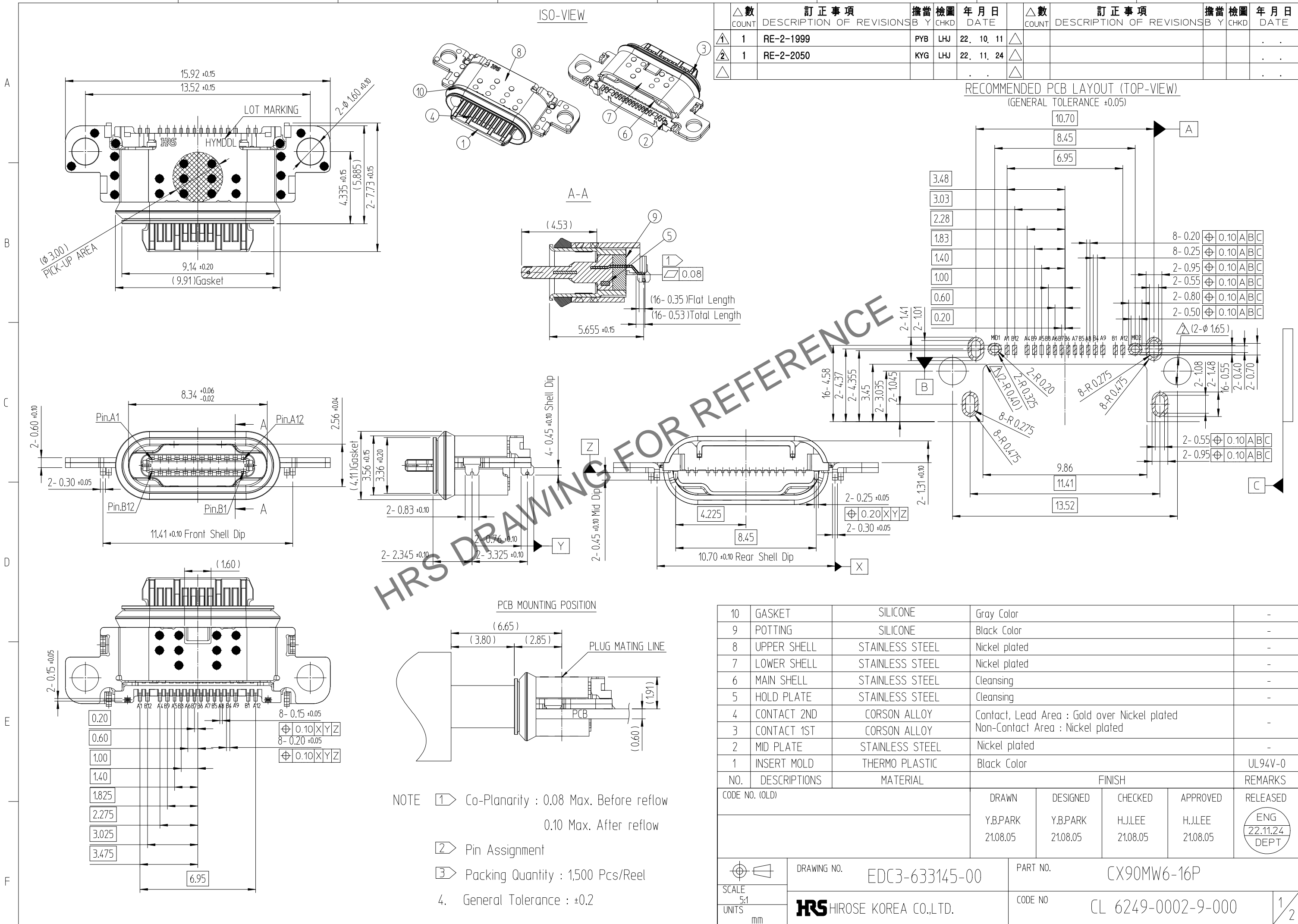


Mar.1.2025 Copyright 2025 HIROSE ELECTRIC CO., LTD. All Rights Reserved.
In case of consideration for using Automotive equipment / device which demand high reliability, kindly contact our sales window correspondents.

ISO-VIEW

△數 COUNT	訂正事項 DESCRIPTION OF REVISIONS	擔當 B	檢圖 CHKD	年月日 DATE	△數 COUNT	訂正事項 DESCRIPTION OF REVISIONS	擔當 B	檢圖 CHKD	年月日 DATE
1	RE-2-1999	PYB	LHJ	22. 10. 11					
1	RE-2-2050	KYG	LHJ	22. 11. 24					

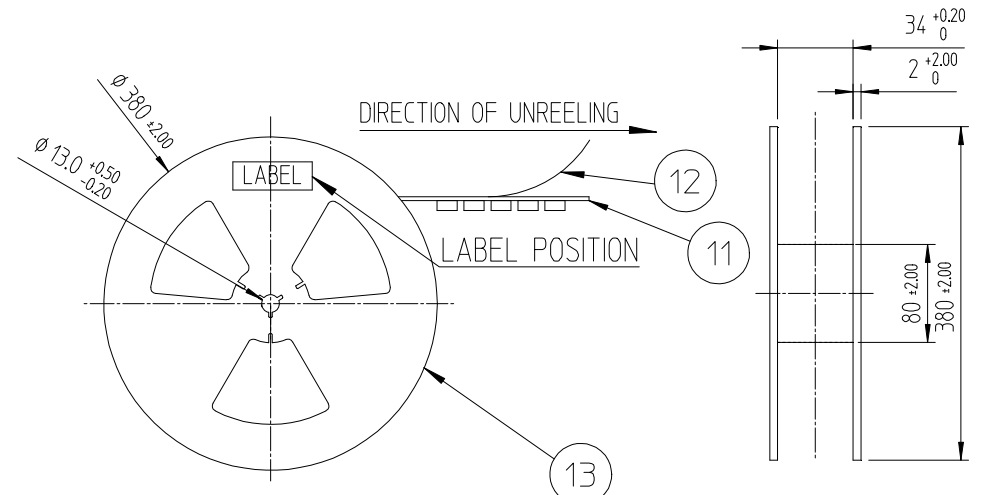
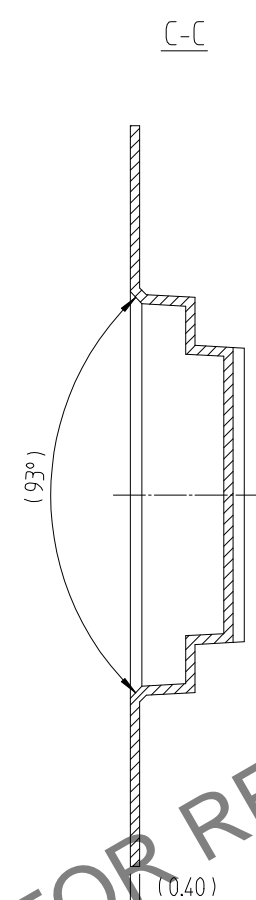
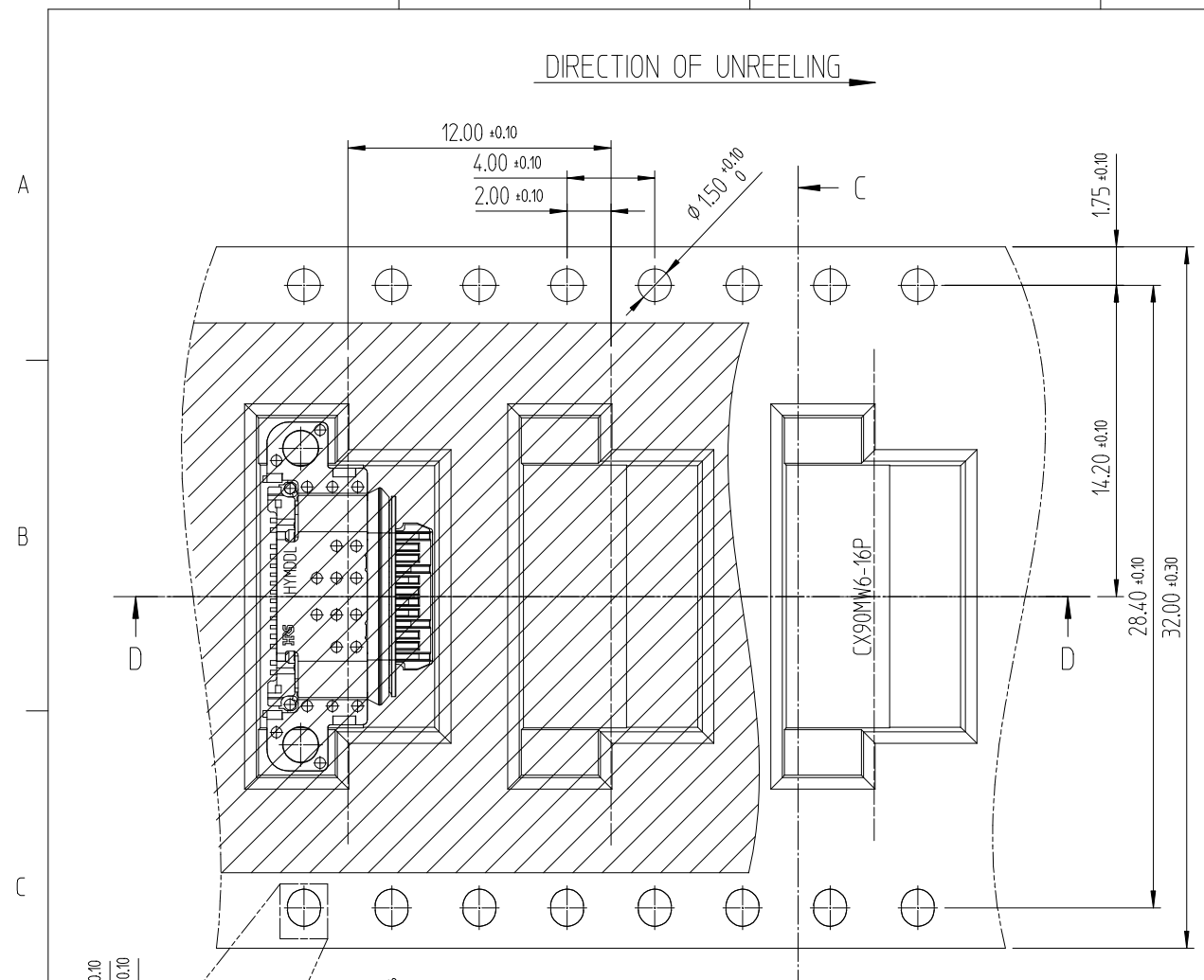
RECOMMENDED PCB LAYOUT (TOP-VIEW)
(GENERAL TOLERANCE ±0.05)



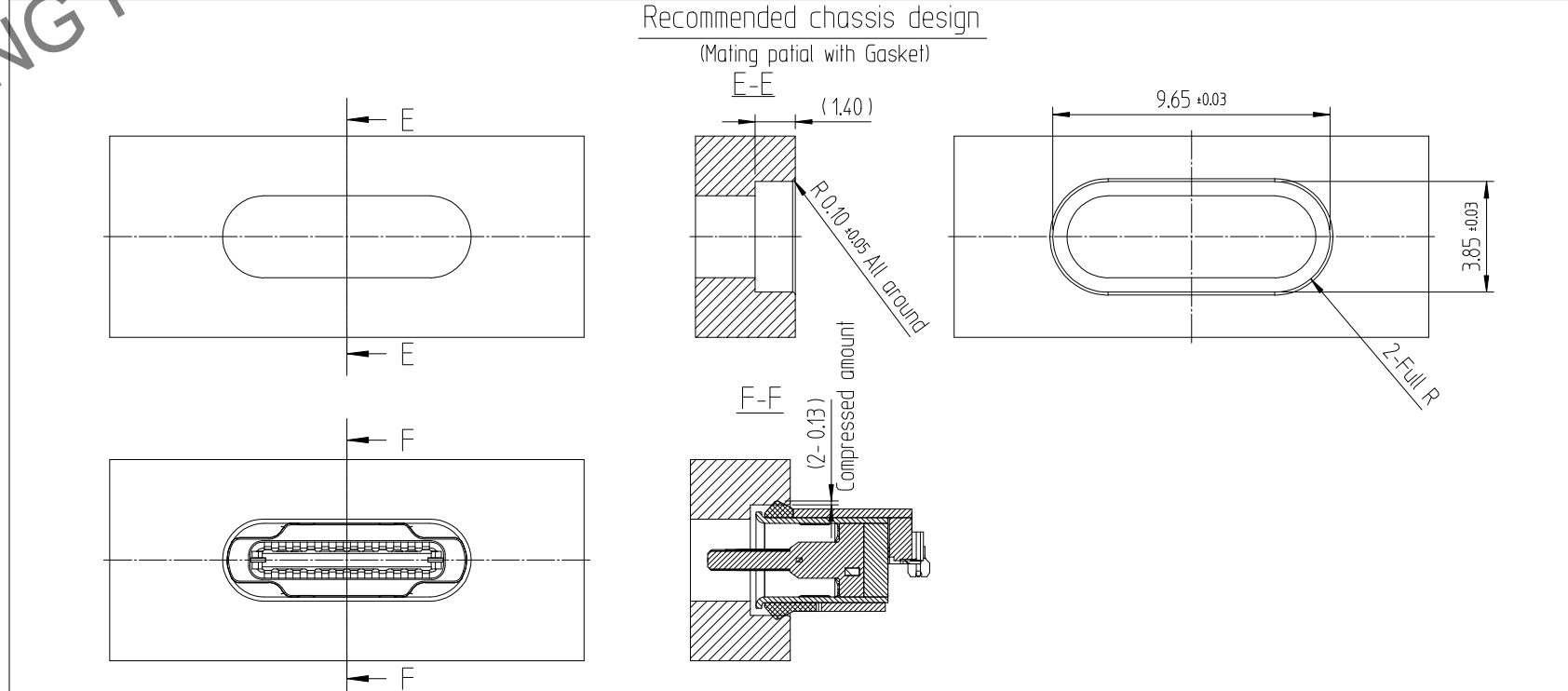
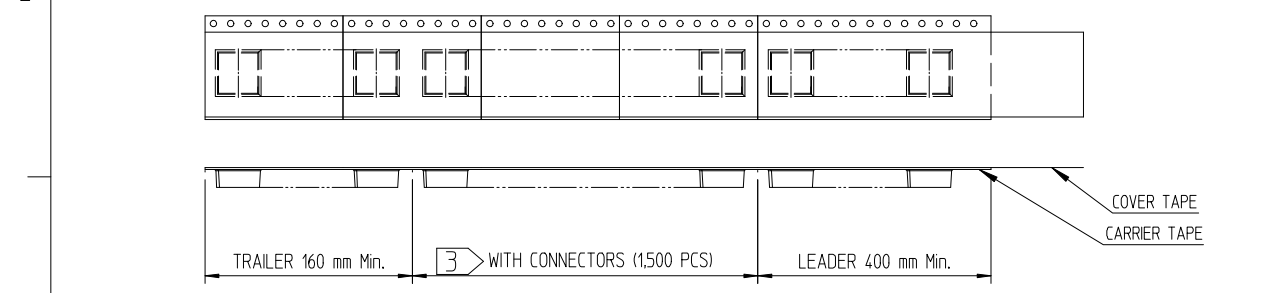
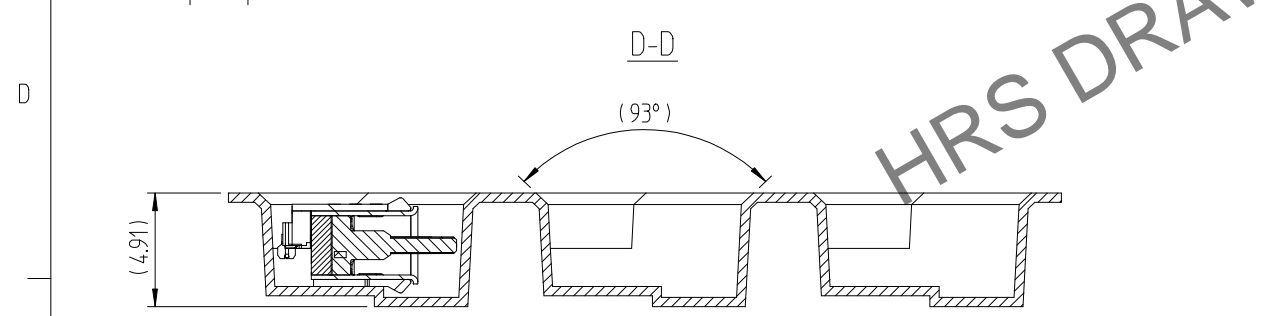
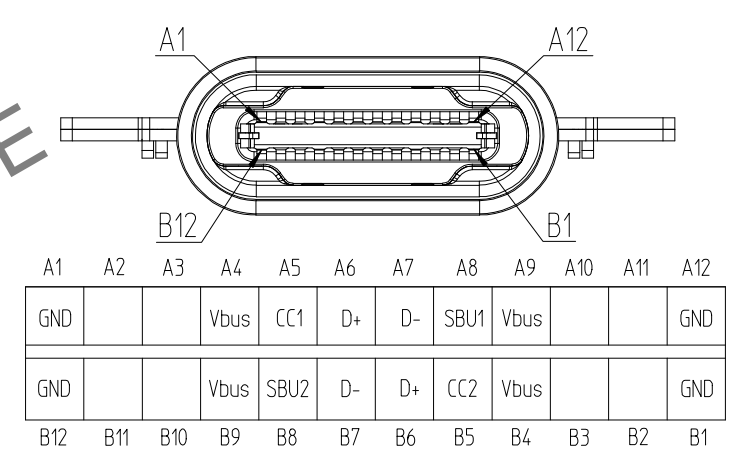
- NOTE
- ① Co-Planarity : 0.08 Max. Before reflow
0.10 Max. After reflow
 - ② Pin Assignment
 - ③ Packing Quantity : 1,500 Pcs/Reel
 - 4. General Tolerance : ±0.2

10	GASKET	SILICONE	Gray Color					
9	POTTING	SILICONE	Black Color					
8	UPPER SHELL	STAINLESS STEEL	Nickel plated					
7	LOWER SHELL	STAINLESS STEEL	Nickel plated					
6	MAIN SHELL	STAINLESS STEEL	Cleansing					
5	HOLD PLATE	STAINLESS STEEL	Cleansing					
4	CONTACT 2ND	CORSON ALLOY	Contact, Lead Area : Gold over Nickel plated					
3	CONTACT 1ST	CORSON ALLOY	Non-Contact Area : Nickel plated					
2	MID PLATE	STAINLESS STEEL	Nickel plated					
1	INSERT MOLD	THERMO PLASTIC	Black Color					UL94V-0
NO.	DESCRIPTIONS	MATERIAL	FINISH				REMARKS	
CODE NO. (OLD)				DRAWN	DESIGNED	CHECKED	APPROVED	RELEASED
				Y.B.PARK 21.08.05	Y.B.PARK 21.08.05	H.J.LEE 21.08.05	H.J.LEE 21.08.05	ENG 22.11.24 DEPT
DRAWING NO. EDC3-633145-00		PART NO. CX90MW6-16P		CODE NO. CL 6249-0002-9-000		1/2		

Mar.1.2025 Copyright 2025 HIROSE ELECTRIC CO., LTD. All Rights Reserved.
In case of consideration for using Automotive equipment / device which demand high reliability, kindly contact our sales window correspondents.



2 PIN ASSIGNMENT (FRONT-VIEW)



13	REEL BOBBIN	PS	-	-
12	COVER TAPE	PET	-	-
11	EMBOSS TAPE	PS	THERMO-COMPERSSION SEALING	-
NO.	DESCRIPTIONS	MATERIAL	FINISH	REMARKS
DRAWING NO. EDC3-633145-00		PART NO. CX90MW6-16P		
SCALE 3:1	HRS HIROSE KOREA CO.,LTD.		CODE NO CL 6249-0002-9-000	2/2