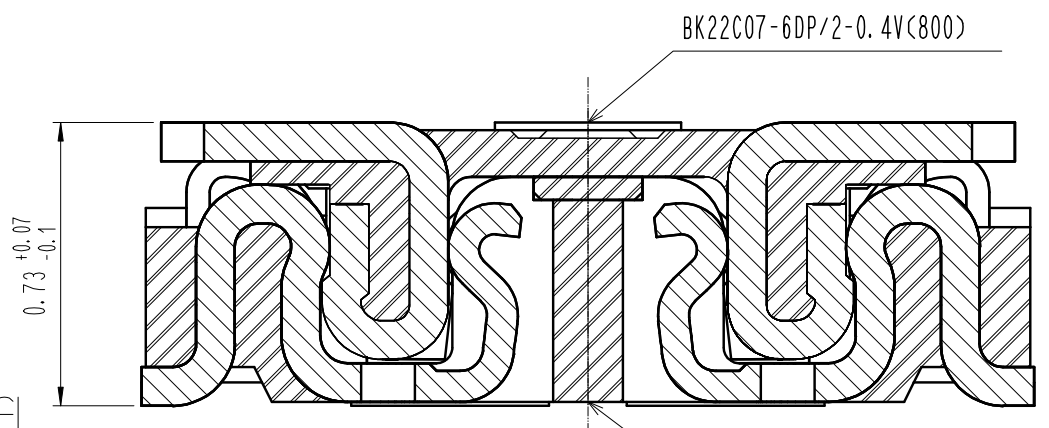
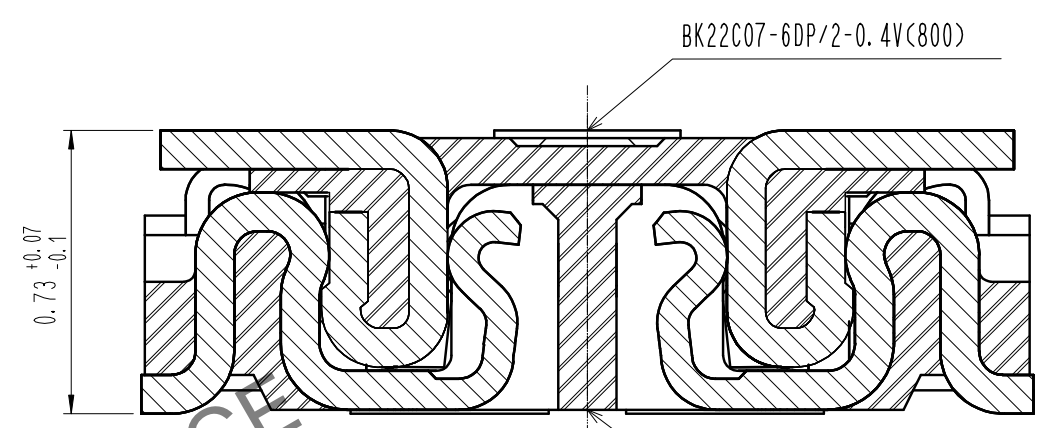
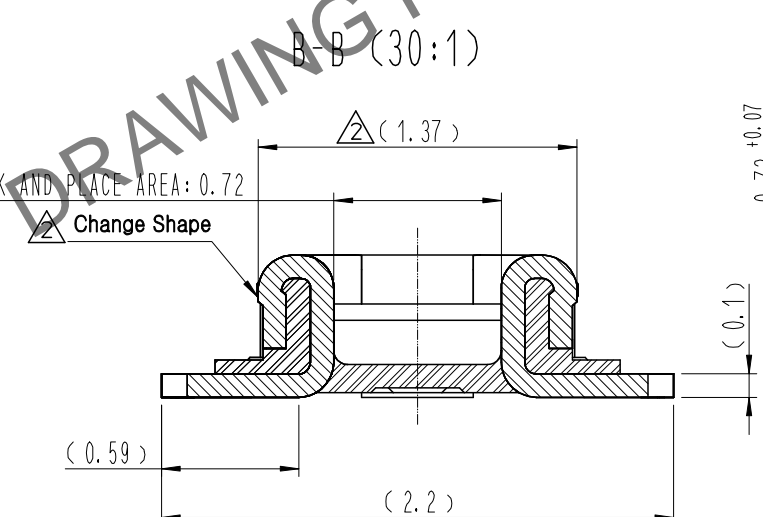
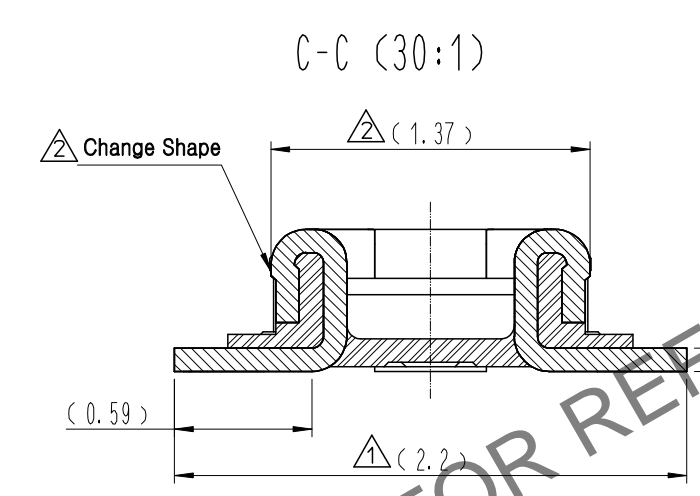
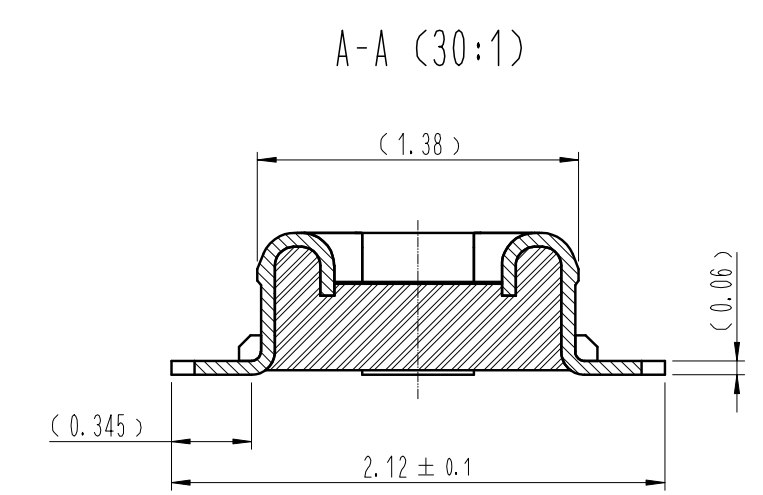
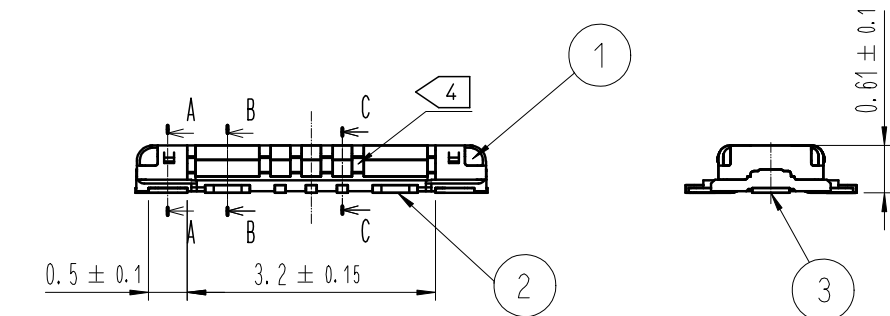
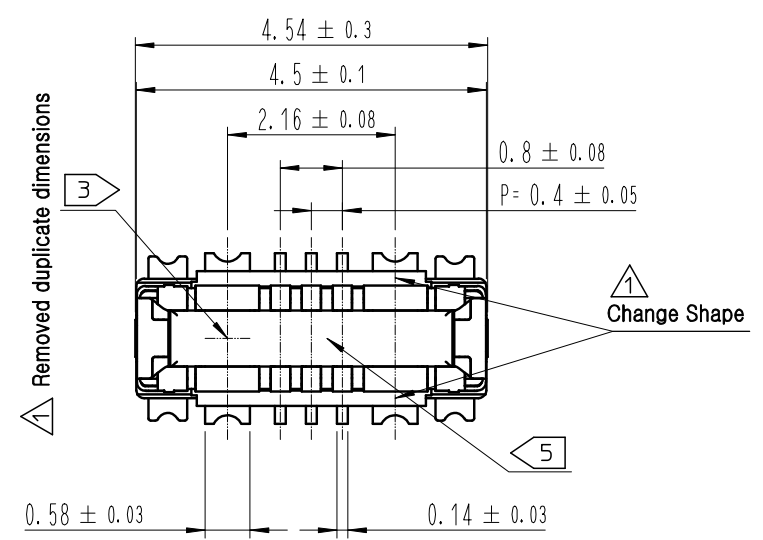


Mar.1.2026 Copyright 2026 HIROSE ELECTRIC CO., LTD. All Rights Reserved.
In case of consideration for using Automotive equipment / device which demand high reliability, kindly contact our sales window correspondents.

COUNT	DESCRIPTION OF REVISIONS	B	Y	CHKD	DATE	COUNT	DESCRIPTION OF REVISIONS	B	Y	CHKD	DATE
4	RE-6-2209	CJS	JHW		21. 03. 22						
4	RE-6-2304	JHK	JHW		21. 06. 17						
-	RE-6-2389	JDH	JHW		21. 09. 08						

ENGAGEMENT FIGURE (50:1)



SIGNAL CONTACT

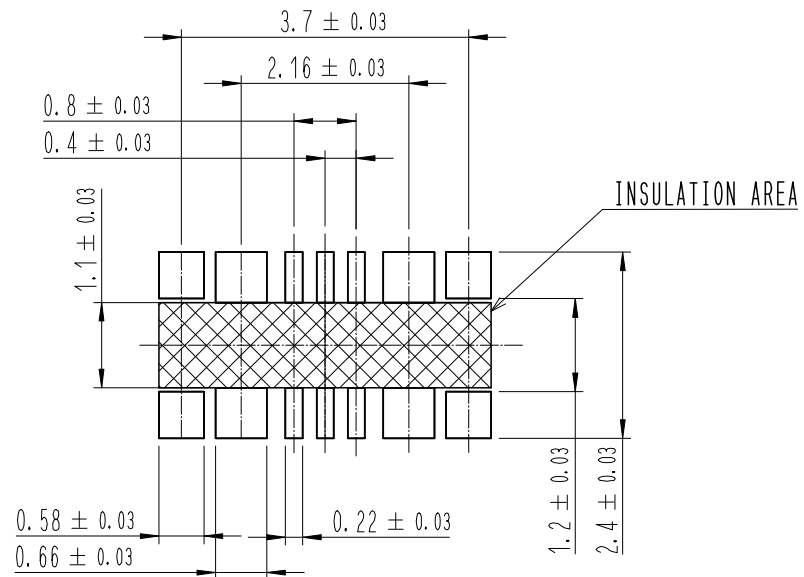
POWER CONTACT

- NOTE
- 1. ALL LEAD CO-PLANARITY SHALL BE 0.08mm MAX.
 - 2. CONTACT PLATING SPECIFICATIONS
CONTACT AREA : GOLD 0.05 μm MIN
SMT LEAD : GOLD 0.05 μm MIN
UNDER PLATING : NICKEL 1 μm MIN
(SURFACE : SEALING)
 - 3. CAV NO. ARE INDICATED IN APPROX POSITION SHOWN.
 - 4. A PART OF THE WALL COULD BE NOTCHED
 - 5. DENT EXISTS IN THE INDICATED AREA FOR MANUFACTURING CONVENIENCE.

4	PS	CLEAR (EMBOSSED CARRIER TAPE)			
3	COPPER ALLOY	2			
2	COPPER ALLOY	2	6	PS	BLACK (PLASTIC REEL)
1	LCP	UL94 V-0, BLACK	5	POLYESTER	CLEAR (COVER TAPE)
NO.	MATERIAL	FINISH, REMARKS	NO.	MATERIAL	FINISH, REMARKS
REMARKS			DRAWN	DESIGNED	CHECKED
			D. K. YUN	D. K. YUN	S. Sunaga
			20.12.29	20.12.29	20.12.29
			APPROVED	RELEASED	
			H. W. JO		
			20.12.29		
CODE NO. (OLD)	DRAWING NO. EDC3-633344-80		PART NO. BK22C07-6DP/2-0.4V(800)		
SCALE 10:1	UNITS mm		CODE NO. CL 6677-0003-3-800		
HRS HIROSE KOREA CO., LTD.					
					1/3

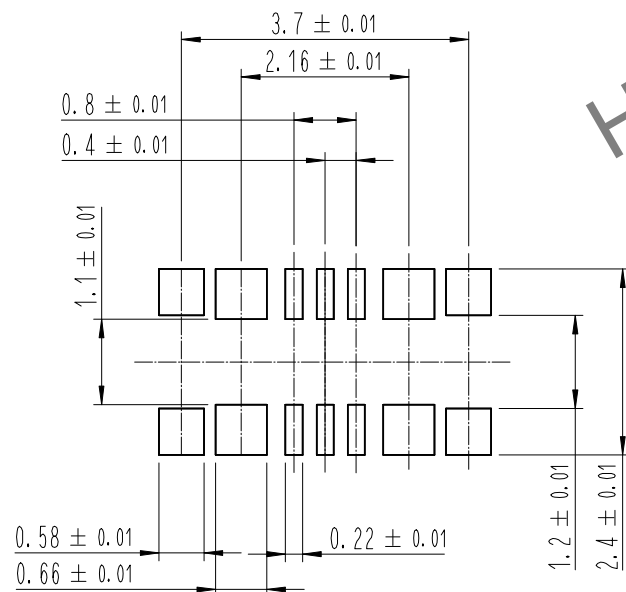
Mar.1.2026 Copyright 2026 HIROSE ELECTRIC CO., LTD. All Rights Reserved.
In case of consideration for using Automotive equipment / device which demand high reliability, kindly contact our sales window correspondents.

7 **RECOMMENDED PCB LAYOUT**

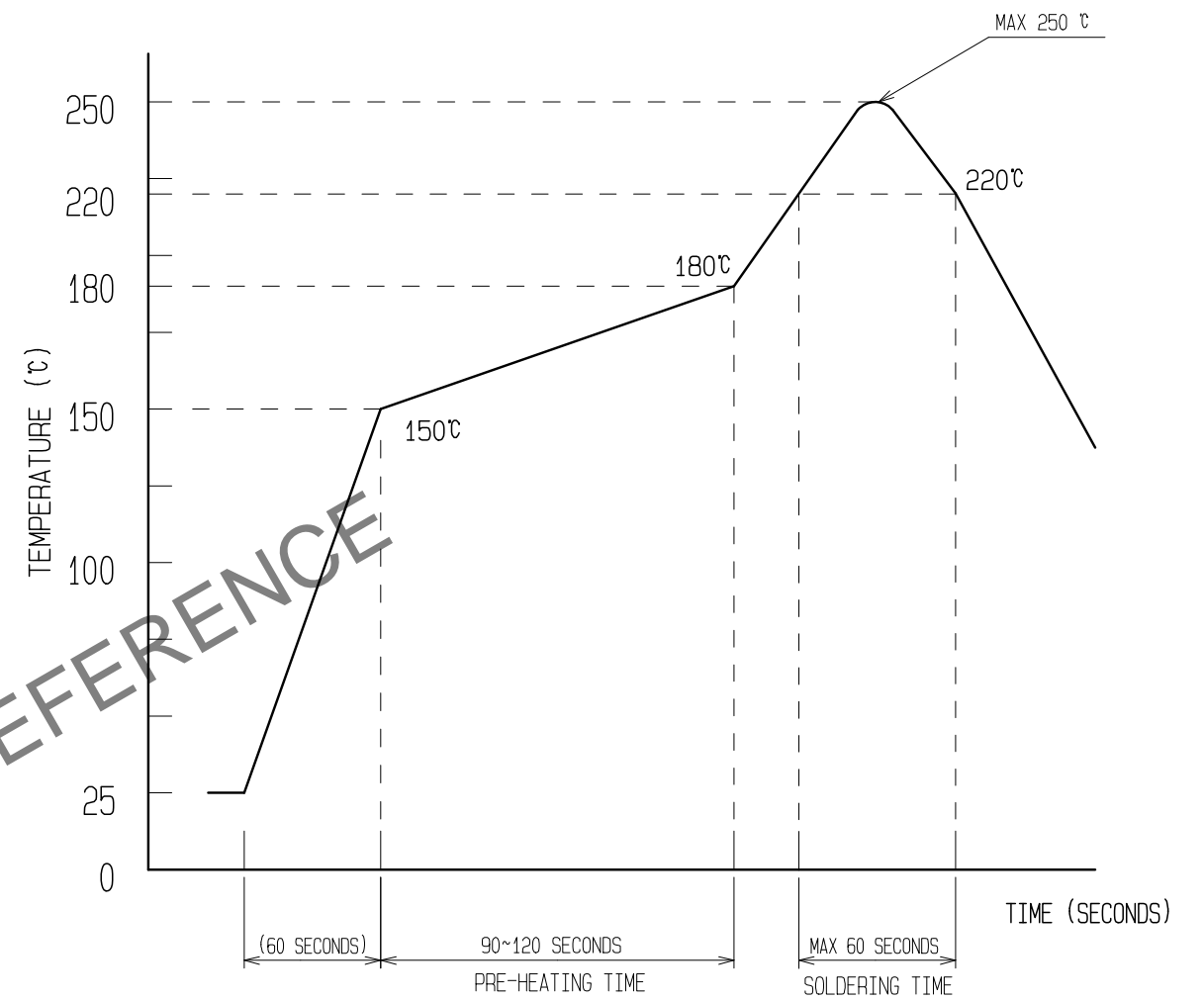


8 **RECOMMENDED METAL MASK DIMENSIONS**

METAL MASK THICKNESS : $80 \mu\text{m}$



6 **RECOMMENDED REFLOW TEMPERATURE PROFILE USING LEAD-FREE SOLDER PASTE.**



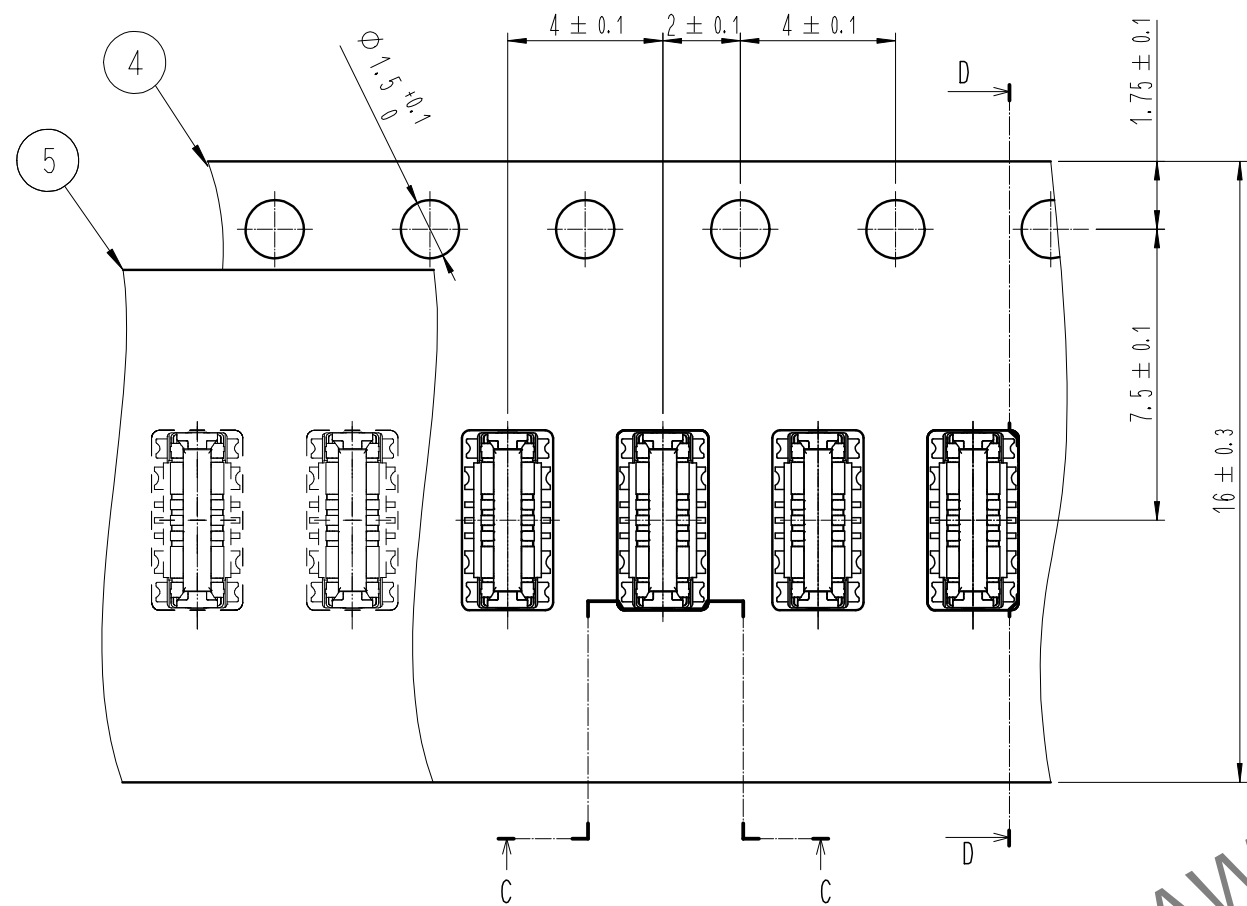
REFLOW METHOD : N_2 REFLOW
 NUMBER OF REFLOW CYCLES : 2 CYCLES MAX.
 1) REFLOW TIME
 DURATION ABOVE 220°C, 60 SEC MAX.
 (PEAK TEMPERATURE : 250°C MAX)
 2) PRE-HEAT TIME
 PRE-HEAT TEMPERATURE(MIN): 150°C
 PRE-HEAT TEMPERATURE(MAX): 180°C
 PRE-HEAT TIME: 90-120 SEC.

- 6. THIS TEMPERATURE PROFILE IS PER THE CONDITIONS SHOWN ABOVE. ADDITIONAL FACTORS, SUCH AS SOLDER PASTE TYPE, PCB SIZE AND OTHER MOUNTED COMPONENTS COULD AFFECT THE PROFILE. THEREFORE, A THOROUGH EVALUATION OF MOUNTING CONDITION IS REQUIRED PRIOR TO PRODUCTION. TEMPERATURE IS MEASURED AT CONTACT LEAD.
- 7. PLEASE CONTACT US IN CASE YOU WILL MAKE DIFFERENT SETTINGS FROM OUR RECOMMENDATION.
- 8. THIS PRODUCT SATISFIES HALOGEN FREE REQUIREMENTS DEFINED AS 900ppm MAXIMUM CHLORINE, 900ppm MAXIMUM BROMINE, AND 1500ppm MAXIMUM TOTAL OF CHLORINE AND BROMINE.
- 9. THIS PRODUCT COMPLY WITH RoHS.

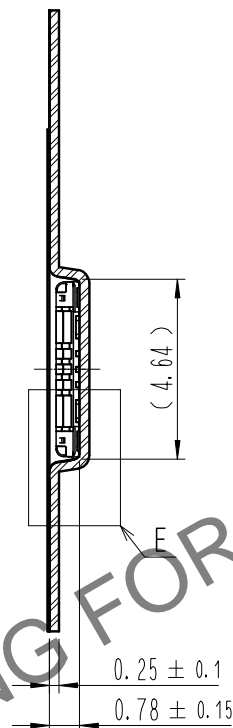
	DRAWING NO.	EDC3-633344-80	PART NO.	BK22C07-6DP/2-0.4V(800)		
	SCALE	10:1	CODE NO	CL 6677-0003-3-800		
UNITS	HIROSE KOREA CO., LTD.			<table border="1"> <tr> <td>2</td> </tr> <tr> <td>3</td> </tr> </table>	2	3
2						
3						

Mar.1.2026 Copyright 2026 HIROSE ELECTRIC CO., LTD. All Rights Reserved.
In case of consideration for using Automotive equipment / device which demand high reliability, kindly contact our sales window correspondents.

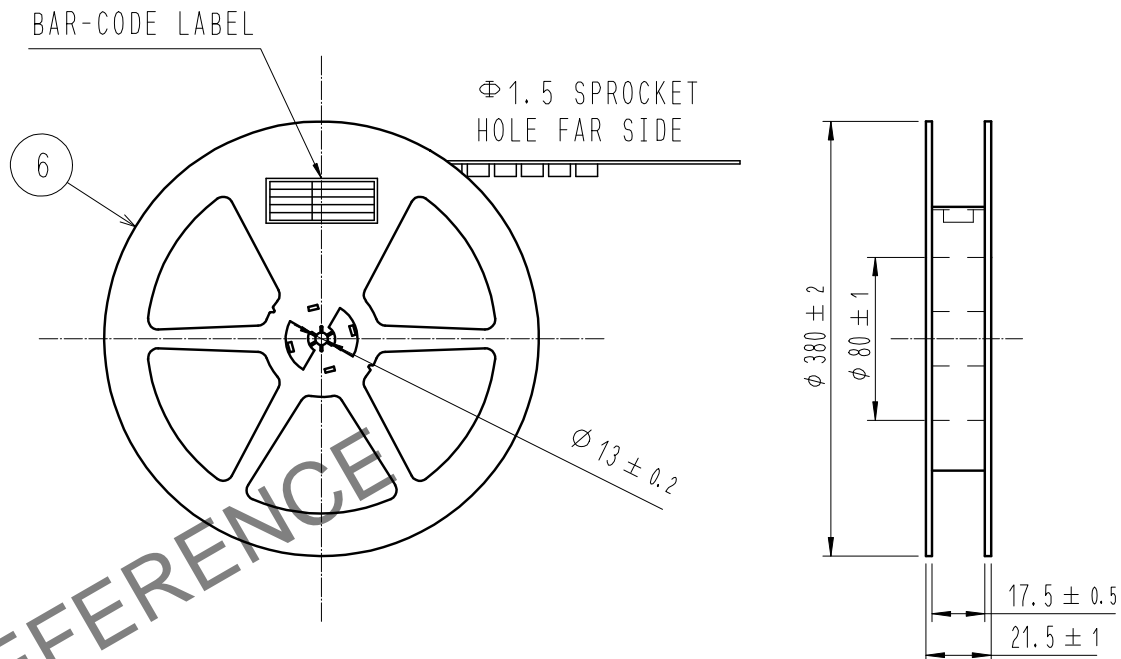
EMBOSED CARRIER TAPE PACKAGING (5:1)



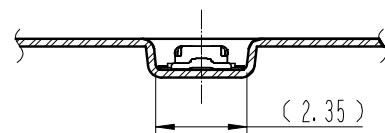
D-D (5:1)



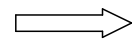
STYLE AND DIMENSION OF REEL (FREE)



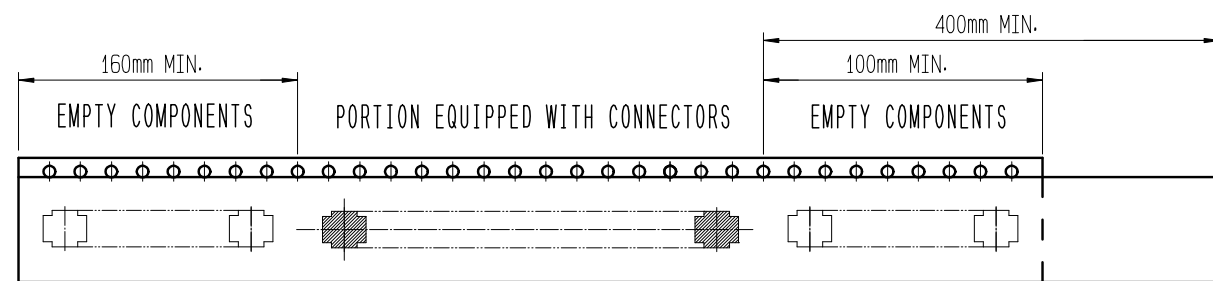
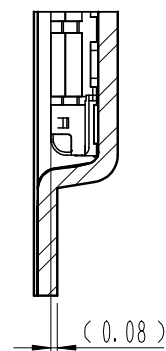
C-C (5:1)



DIRECTION OF UNREELING



E (10:1)



TRAILER

LEADER

TAPING(FREE)

DETAIL OF PART No. LABEL

SUPPLIER	HIROSE ELECTRIC CO., LTD.
QUANTITY	20,000
PART NO.	BK22C07-6DP/2-0.4V(800)
CODE NO.	CL 6677-0003-3-800
DATE OF MANUFACTURED	生産月日 年 月 日
箱番	** ** *
品名	BK22C07-6DP/2-0.4V(800)
納入数量	20,000個
納入者	HIROSE KOREA

10 . PER REEL 20,000 CONNECTORS.

11 . THE DIMENSIONS IN PARENTHESES ARE FOR REFERENCE.

12 > REFER TO JIS C 0806, IEC-60286-3 (PACKAGING OF COMPONENTS FOR AUTOMATIC HANDLING)

	DRAWING NO.	EDC3-633344-80	PART NO.	BK22C07-6DP/2-0.4V(800)	
	SCALE	10:1	CODE NO.	CL 6677-0003-3-800	3/3
UNITS	mm		HRS HIROSE KOREA CO., LTD.		