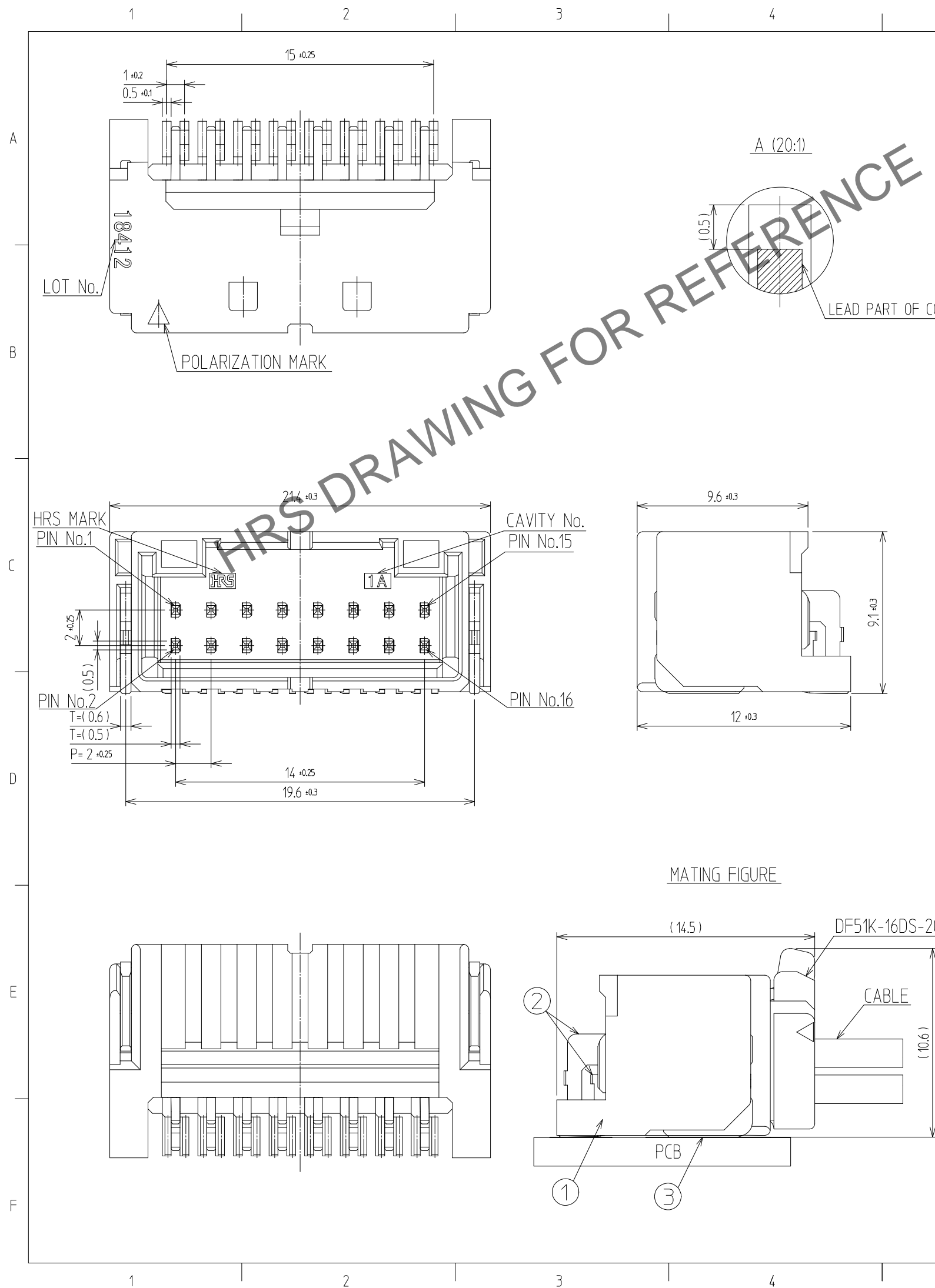
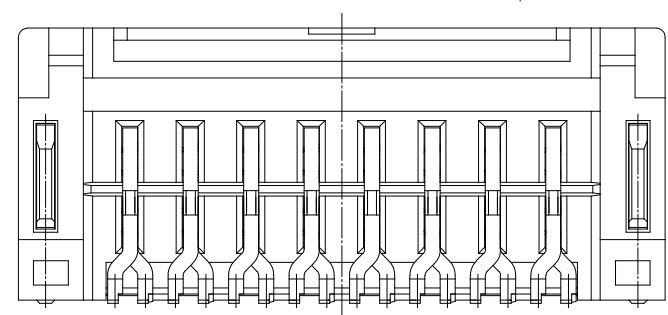
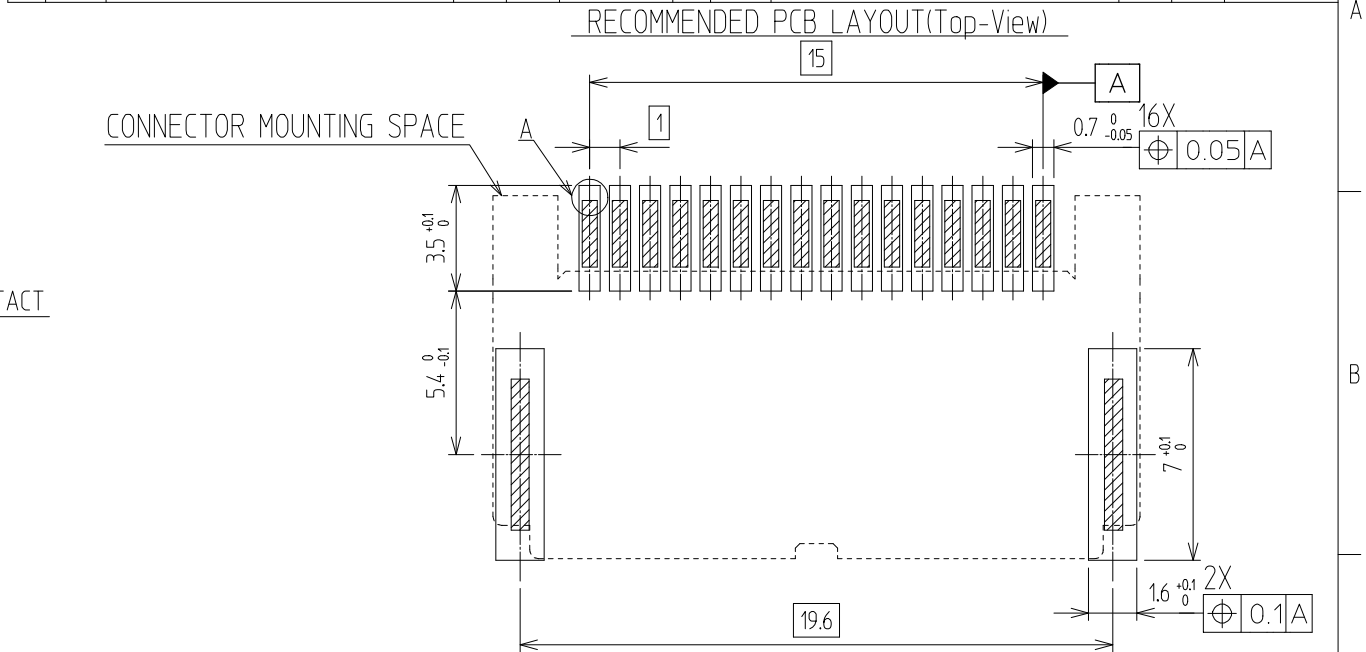


Feb. 1. 2025 Copyright 2025 HIROSE ELECTRIC CO., LTD. All Rights Reserved.
In case of consideration for using Automotive equipment / device which demand high reliability, kindly contact our sales window



△數 COUNT	訂正事項 DISCRIPTION OF REVISIONS	擔當 B	檢圖 CHKD	年月日 DATE	△數 COUNT	訂正事項 DISCRIPTION OF REVISIONS	擔當 B	檢圖 CHKD	年月日 DATE
△					△				
△					△				
△					△				



- NOTE
- SOLDERING TEMPERATURE : 250°C PEAK, 10sec MAX.
 - OPERATING TEMPERATURE : -55°~105°C
 - USED REFLOW SYSTEM : IN THE AIR OR NITROGEN
 - NO. OF CYCLES : 2 MAX
 - MATING PART
FEMALE : DF51K-16DS-2C
 - CO-PLANARITY : 0.12 MAX.
 - RECOMMENDED PCB THICKNESS IS 1.6mm.
 - RECOMMENDED SOLDER THICKNESS IS 0.15mm
 - UL(File No. E132750) AUTHORIZATION ARTICLE.
C-UL(File No. E132750) AUTHORIZATION ARTICLE.



3	BRASS	TIN PLATED : 1μm MIN UNDER PLATING : NICKEL 1μm MIN
2	BRASS	CONTACT AREA : GOLD 0.1μm MIN SMT LEAD : GOLD 0.05μm MIN UNDER PLATING : NICKEL 1μm MIN
1	LCP	BLACK
NO.	MATERIAL	FINISH,REMARKS

7	PS	REEL BOBBIN
6	PET	COVER TAPE
5	CONNECTOR	DF51K-16DP-2H
4	PS	EMBOSS CARRIER TAPE
NO.	MATERIAL	FINISH,REMARKS

CODE NO. (OLD)	DRAWN	DESIGNED	CHECKED	APPROVED	RELEASED
	CHO 23.07.05 J.S	CHO 23.07.05 J.S	LIM 23.07.05 S.M	LIM 23.07.05 S.M	ENG 2023.07.24 DEPT

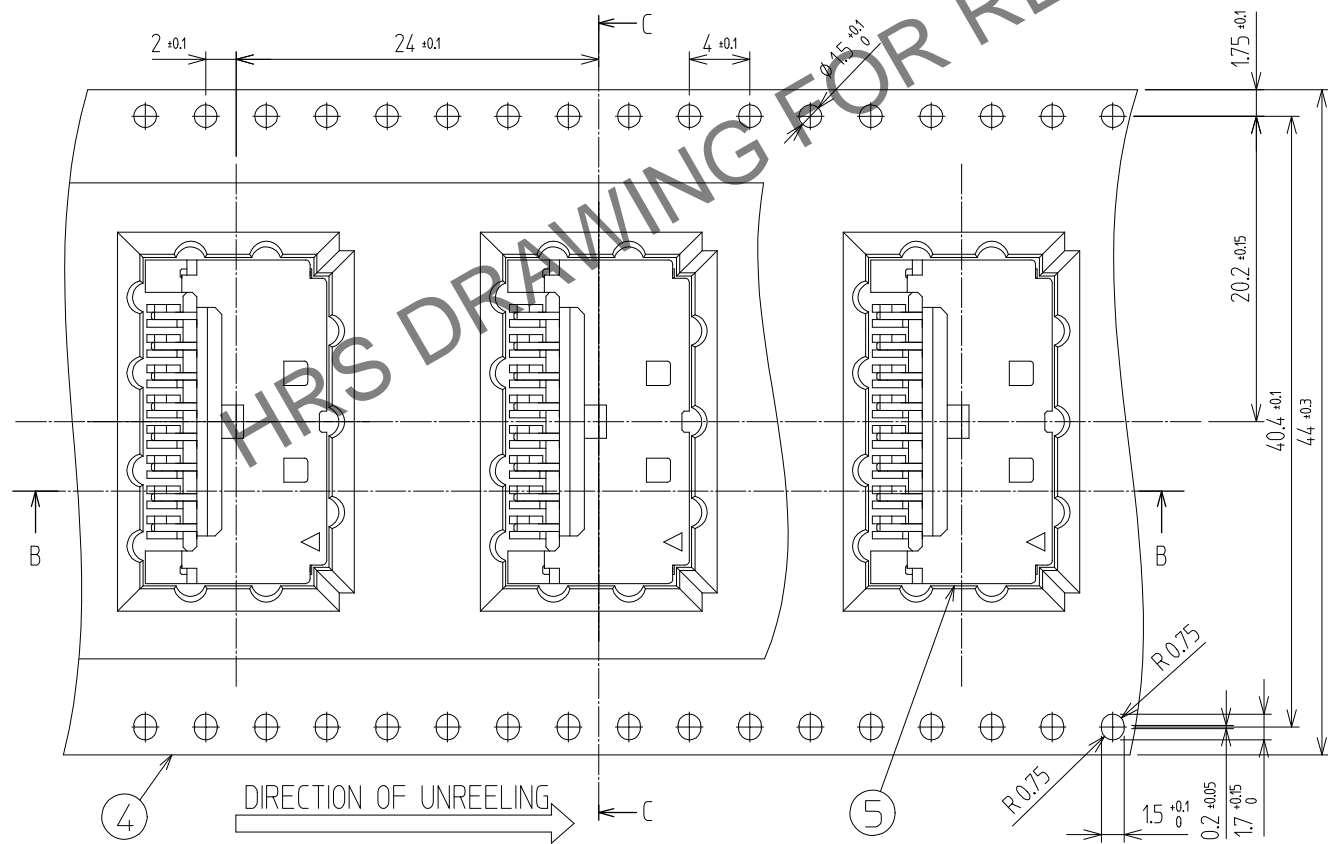
SCALE 4:1 UNITS mm	DRAWING NO. EDC3-633521	PART NO. DF51K-16DP-2H (805)
	HRS HIROSE KOREA CO.,LTD.	CODE NO CL 6652-0081-0-805

Feb. 1. 2025 Copyright 2025 HIROSE ELECTRIC CO., LTD. All Rights Reserved.
In case of consideration for using Automotive equipment / device which demand high reliability, kindly contact our sales window

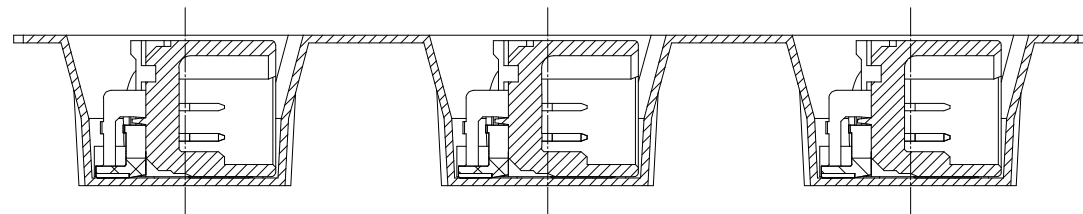
PACKING STYLE

PACKING STYLE DRAWING

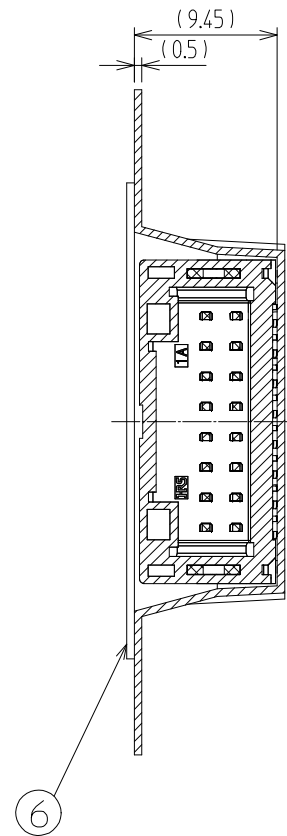
EMBOSS (2:1)



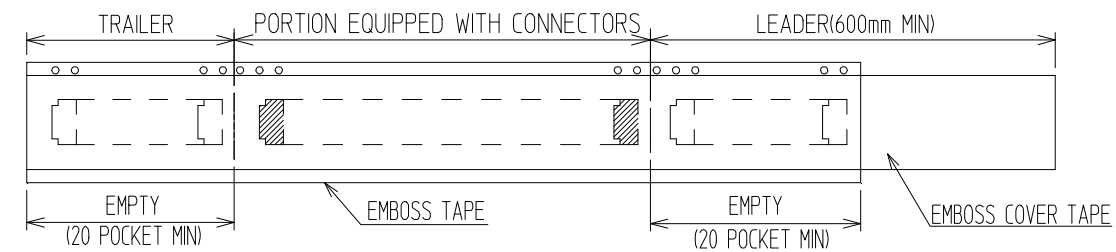
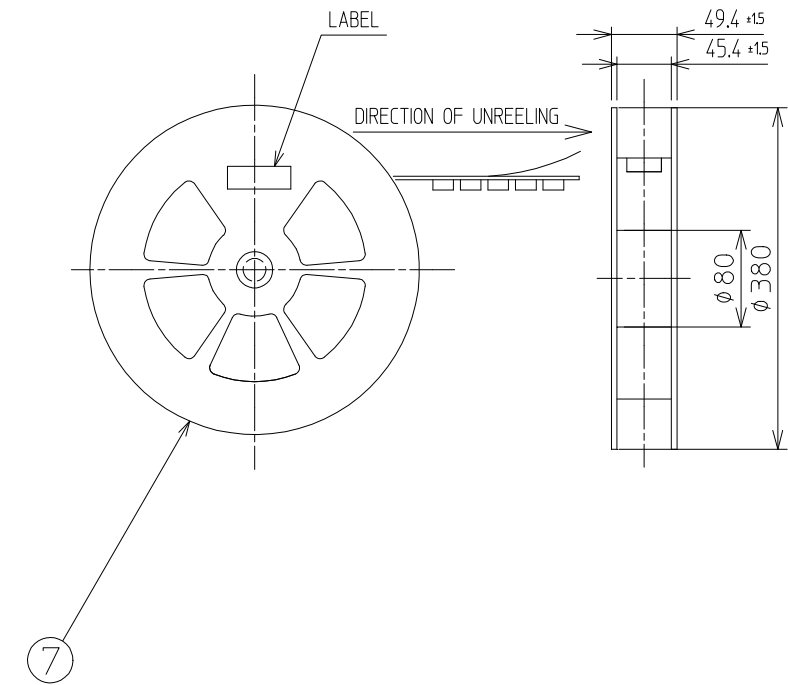
B-B (2:1)



C-C (2:1)



REEL DIMENSIONS (FREE)



△數 COUNT	訂正事項 DISCRIPTION OF REVISIONS	擔當 B	檢圖 Y	年月日 DATE	△數 COUNT	訂正事項 DISCRIPTION OF REVISIONS	擔當 B	檢圖 Y	年月日 DATE
△				..	△				..
△				..	△				..
△				..	△				..

 SCALE 4:1 UNITS mm	DRAWING NO. EDC3-633521	PART NO. DF51K-16DP-2H (805)	2/2
	 HIROSE KOREA CO.,LTD.	CODE NO. CL 6652-0081-0-805	