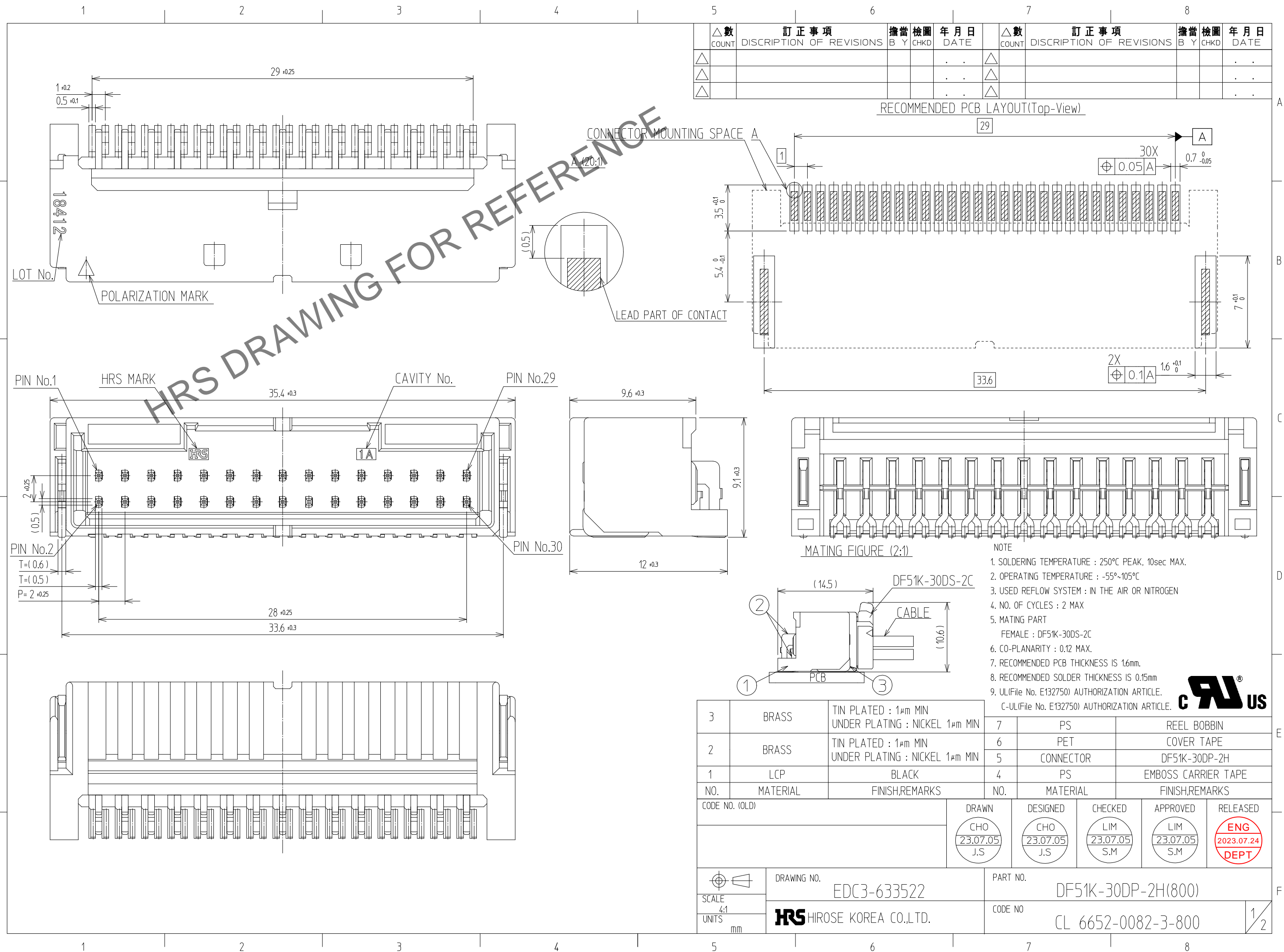


Mar. 1. 2025 Copyright 2025 HIROSE ELECTRIC CO., LTD. All Rights Reserved.
In case of consideration for using Automotive equipment / device which demand high reliability, kindly contact our sales window



| △數 COUNT | 訂正事項 DISCRIPTION OF REVISIONS | 擔當 B | 檢圖 CHKD | 年月日 DATE | △數 COUNT | 訂正事項 DISCRIPTION OF REVISIONS | 擔當 B | 檢圖 CHKD | 年月日 DATE |
|-------------|----------------------------------|---------|------------|-------------|-------------|----------------------------------|---------|------------|-------------|
| △ | | | | | △ | | | | |
| △ | | | | | △ | | | | |
| △ | | | | | △ | | | | |

| | | | | | |
|-----|----------|--|-----|-----------|----------------|
| 3 | BRASS | TIN PLATED : 1μm MIN UNDER PLATING : NICKEL 1μm MIN | 7 | PS | REEL BOBBIN |
| 2 | BRASS | TIN PLATED : 1μm MIN UNDER PLATING : NICKEL 1μm MIN | 6 | PET | COVER TAPE |
| 1 | LCP | BLACK | 5 | CONNECTOR | DF51K-30DP-2H |
| NO. | MATERIAL | FINISH,REMARKS | NO. | MATERIAL | FINISH,REMARKS |
| 4 | PS | EMBOSS CARRIER TAPE | | | |

| CODE NO. (OLD) | DRAWN | DESIGNED | CHECKED | APPROVED | RELEASED |
|----------------|------------------------|------------------------|------------------------|------------------------|---------------------------|
| | CHO 23.07.05 J.S | CHO 23.07.05 J.S | LIM 23.07.05 S.M | LIM 23.07.05 S.M | ENG 2023.07.24 DEPT |

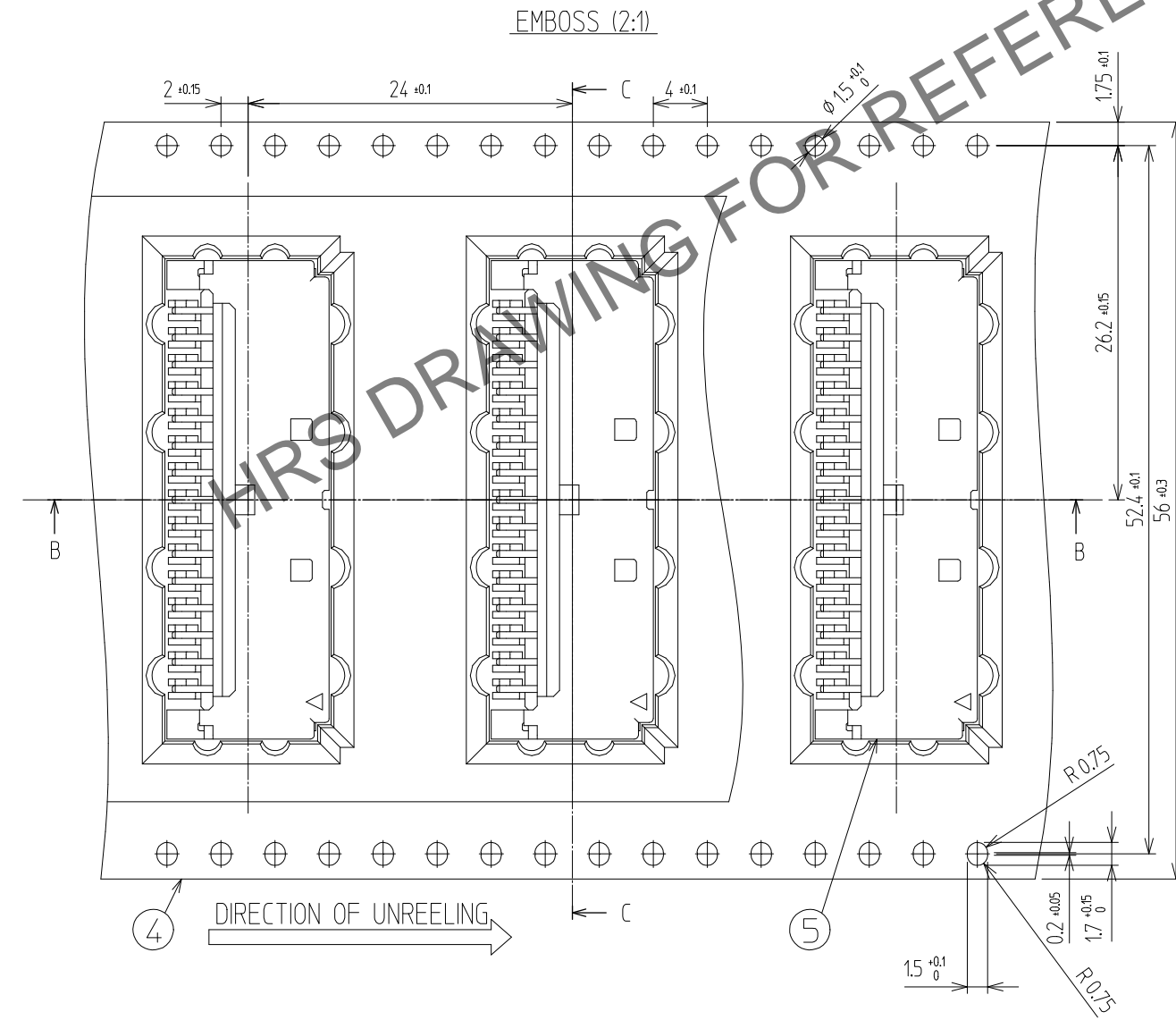
| | | |
|-----------------------------|----------------------------|--------------------------------|
| SCALE 4:1 UNITS mm | DRAWING NO. EDC3-633522 | PART NO. DF51K-30DP-2H(800) |
| | HRS HIROSE KOREA CO.,LTD. | CODE NO CL 6652-0082-3-800 |



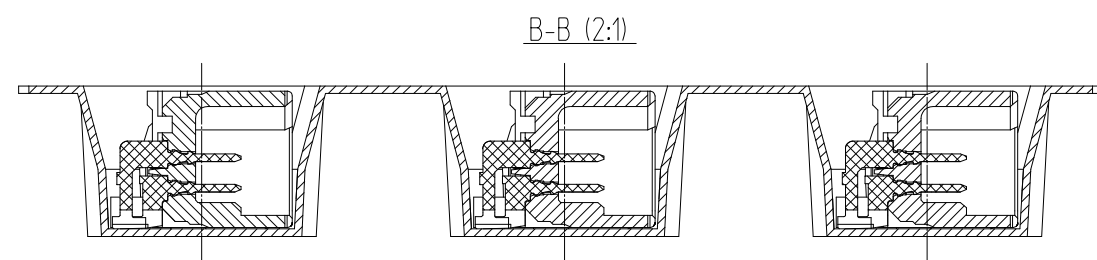
Mar.1.2025 Copyright 2025 HIROSE ELECTRIC CO., LTD. All Rights Reserved.
In case of consideration for using Automotive equipment / device which demand high reliability, kindly contact our sales window

PACKING STYLE

PACKING STYLE DRAWING

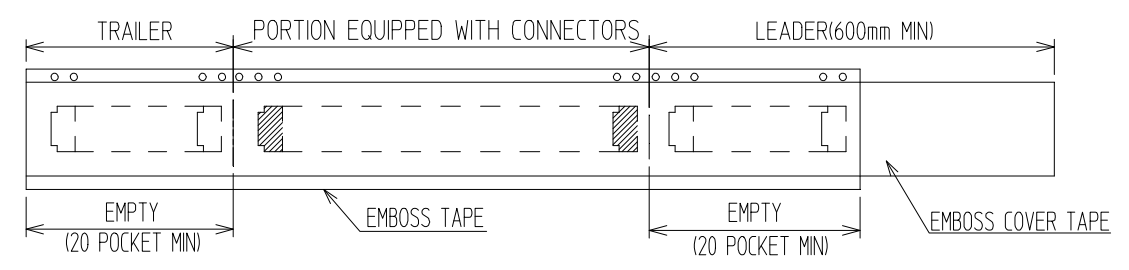
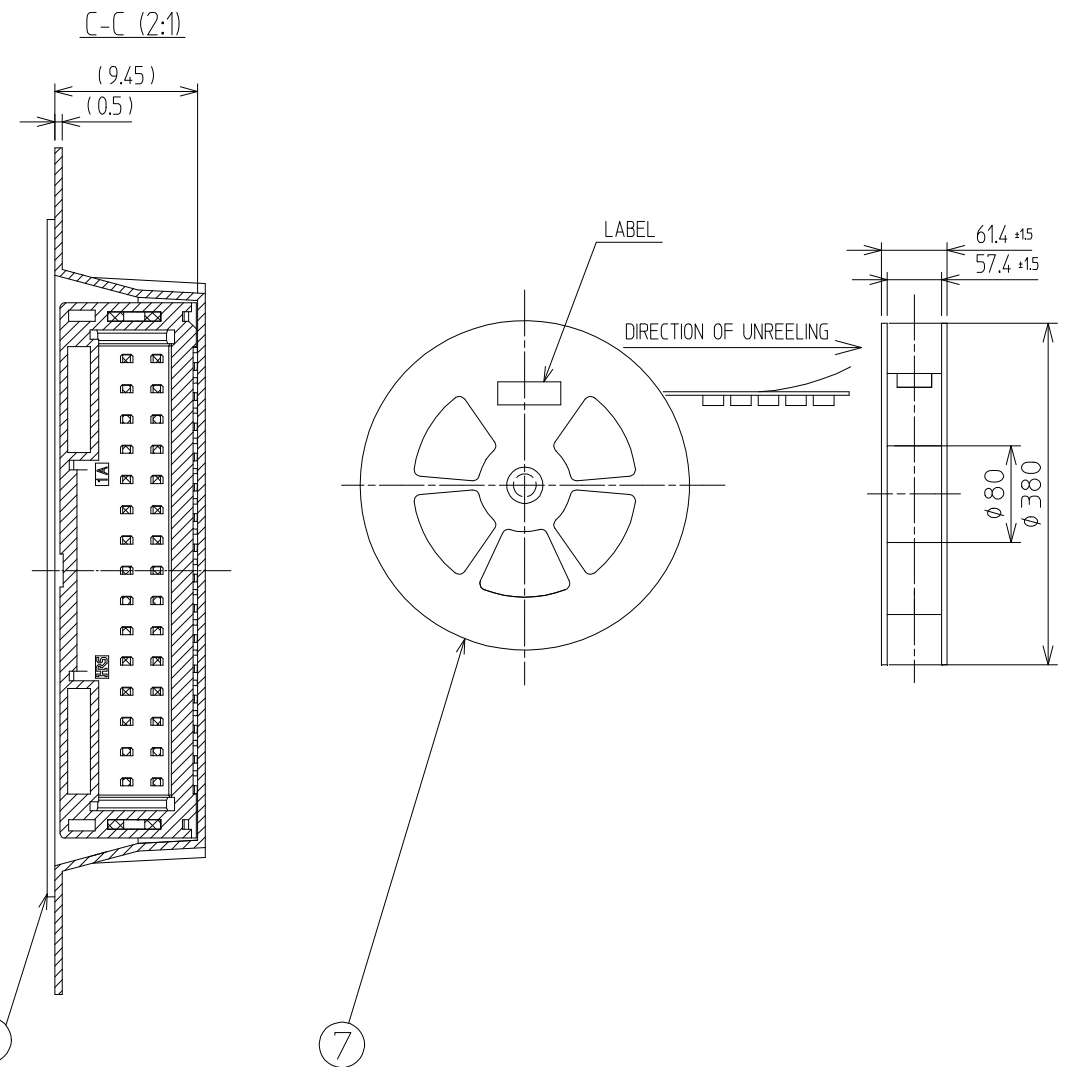


HRS DRAWING FOR REFERENCE



| △數 COUNT | 訂正事項 DISCRIPTION OF REVISIONS | 擔當 B | 檢圖 Y | 年月日 DATE | △數 COUNT | 訂正事項 DISCRIPTION OF REVISIONS | 擔當 B | 檢圖 Y | 年月日 DATE |
|-------------|----------------------------------|---------|---------|-------------|-------------|----------------------------------|---------|---------|-------------|
| △ | | | | .. | △ | | | | .. |
| △ | | | | .. | △ | | | | .. |
| △ | | | | .. | △ | | | | .. |

REEL DIMINTSION (FREE)



| | | | |
|---------------------------------|----------------------------|--------------------------------|--------|
| SCALE 4:1 UNITS mm | DRAWING NO. EDC3-633522 | PART NO. DF51K-30DP-2H(800) | 2 2 |
| | HIROSE KOREA CO.,LTD. | CODE NO CL 6652-0082-3-800 | |