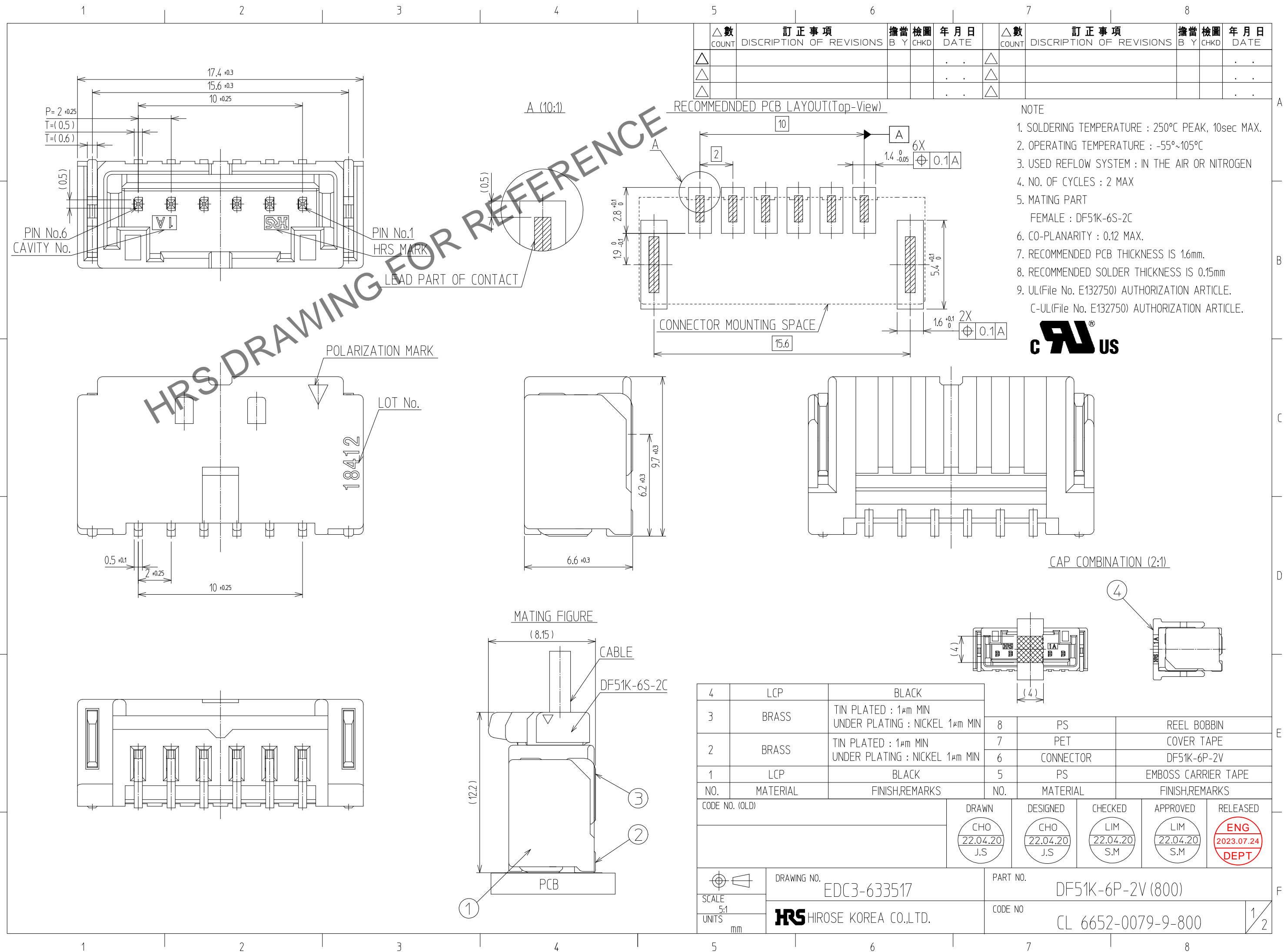


Apr.1.2026 Copyright 2026 HIROSE ELECTRIC CO., LTD. All Rights Reserved.
In case of consideration for using Automotive equipment / device which demand high reliability, kindly contact our sales window



| NO. | MATERIAL | FINISH,REMARKS | NO. | MATERIAL | FINISH,REMARKS |
|-----|----------|--|-----|-----------|---------------------|
| 4 | LCP | BLACK | 8 | PS | REEL BOBBIN |
| 3 | BRASS | TIN PLATED : 1μm MIN UNDER PLATING : NICKEL 1μm MIN | 7 | PET | COVER TAPE |
| 2 | BRASS | TIN PLATED : 1μm MIN UNDER PLATING : NICKEL 1μm MIN | 6 | CONNECTOR | DF51K-6P-2V |
| 1 | LCP | BLACK | 5 | PS | EMBOSS CARRIER TAPE |

| CODE NO. (OLD) | DRAWN | DESIGNED | CHECKED | APPROVED | RELEASED |
|----------------|------------------------|------------------------|------------------------|------------------------|---------------------------|
| | CHO 22.04.20 J.S | CHO 22.04.20 J.S | LIM 22.04.20 S.M | LIM 22.04.20 S.M | ENG 2023.07.24 DEPT |

| | | |
|-----------------------------|----------------------------|-------------------------------|
| SCALE 5:1 UNITS mm | DRAWING NO. EDC3-633517 | PART NO. DF51K-6P-2V (800) |
| | HRS HIROSE KOREA CO.,LTD. | CODE NO CL 6652-0079-9-800 |

HRS DRAWING FOR REFERENCE

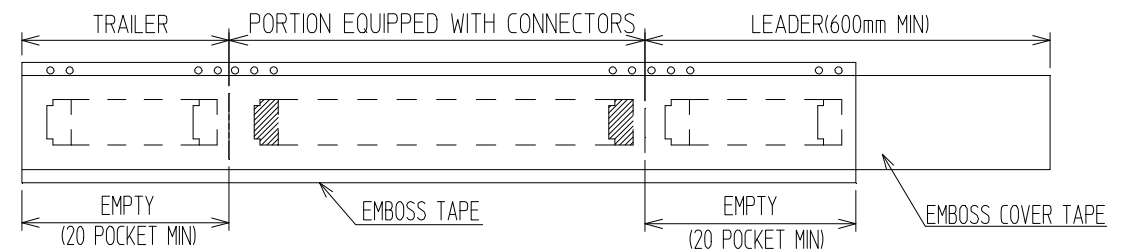
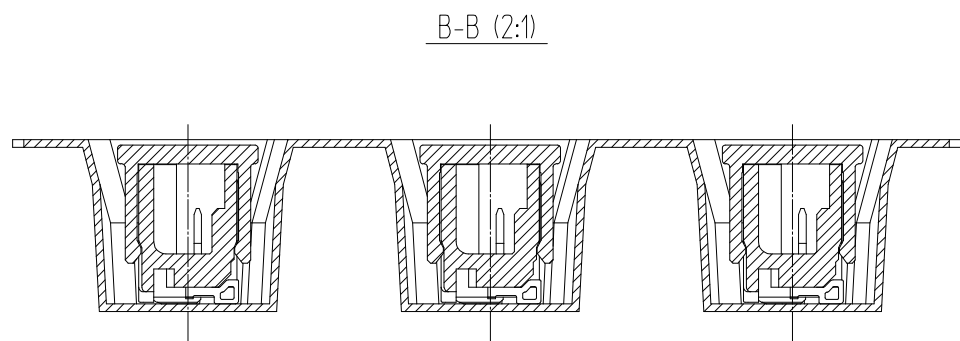
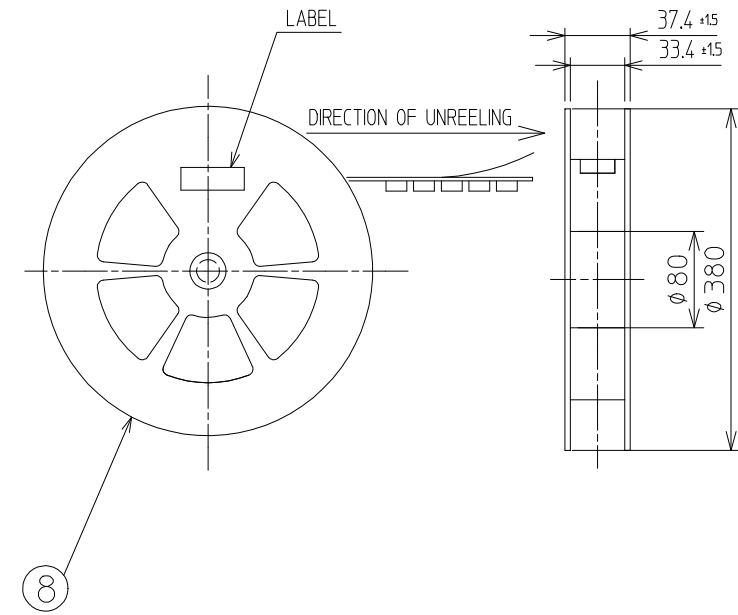
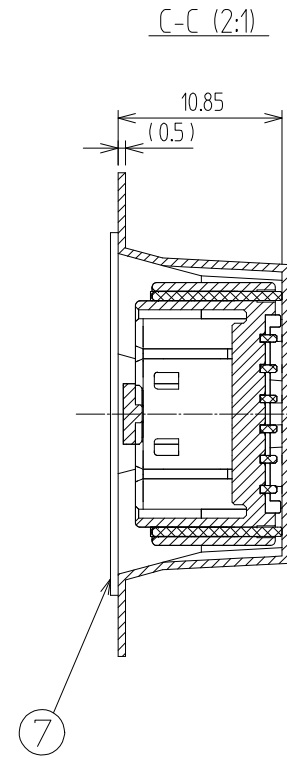
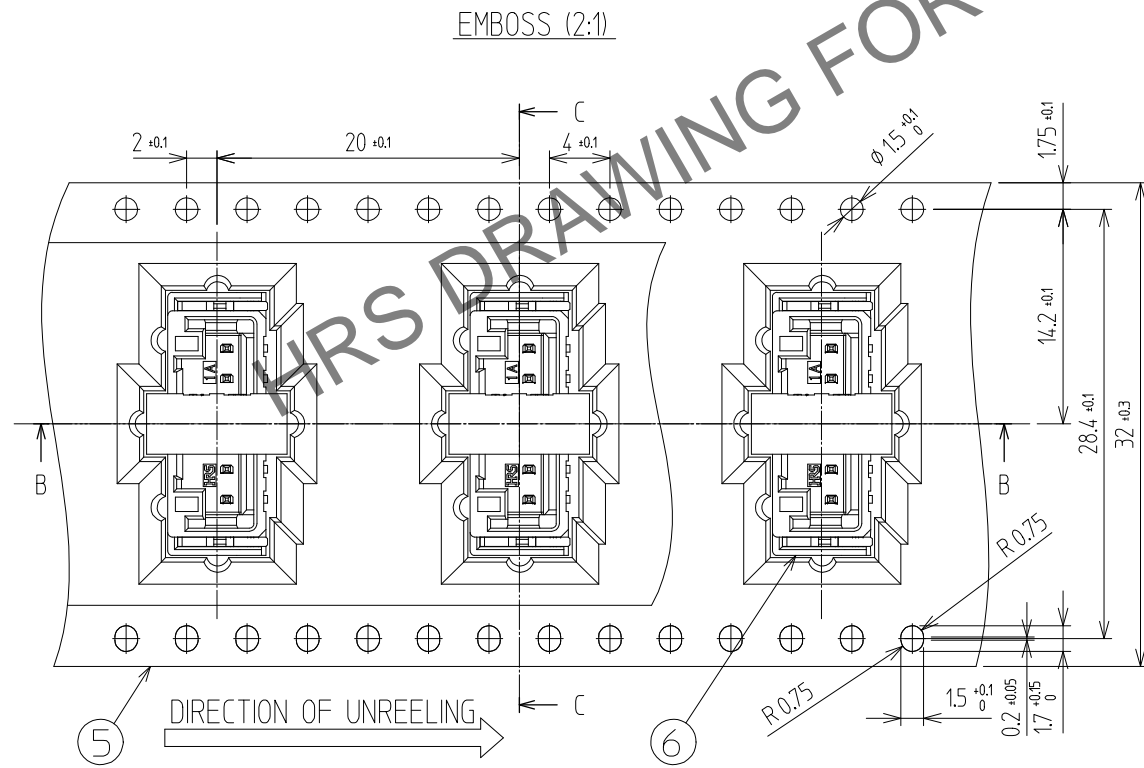
Apr.1.2026 Copyright 2026 HIROSE ELECTRIC CO., LTD. All Rights Reserved.
In case of consideration for using Automotive equipment / device which demand high reliability, kindly contact our sales window

| △數 COUNT | 訂正事項 DISCRIPTION OF REVISIONS | 擔當 B | 檢圖 CHKD | 年月日 DATE | △數 COUNT | 訂正事項 DISCRIPTION OF REVISIONS | 擔當 B | 檢圖 CHKD | 年月日 DATE |
|-------------|----------------------------------|---------|------------|-------------|-------------|----------------------------------|---------|------------|-------------|
| △ | | | | .. | △ | | | | .. |
| △ | | | | .. | △ | | | | .. |
| △ | | | | .. | △ | | | | .. |

PACKING STYLE

PACKING STYLE DRAWING

REEL DIMENTSION (FREE)



| | | | | | |
|---------------------------------|--------------------------------|-------------------------------|--|--------------------------------|-----|
| SCALE 5:1 UNITS mm | DRAWING NO. EDC3-633517 | PART NO. DF51K-6P-2V (800) | <table border="1"> <tr> <td>CODE NO. CL 6652-0079-9-800</td> <td>2/2</td> </tr> </table> | CODE NO. CL 6652-0079-9-800 | 2/2 |
| | CODE NO. CL 6652-0079-9-800 | 2/2 | | | |
| HIROSE KOREA CO.,LTD. | | | | | |