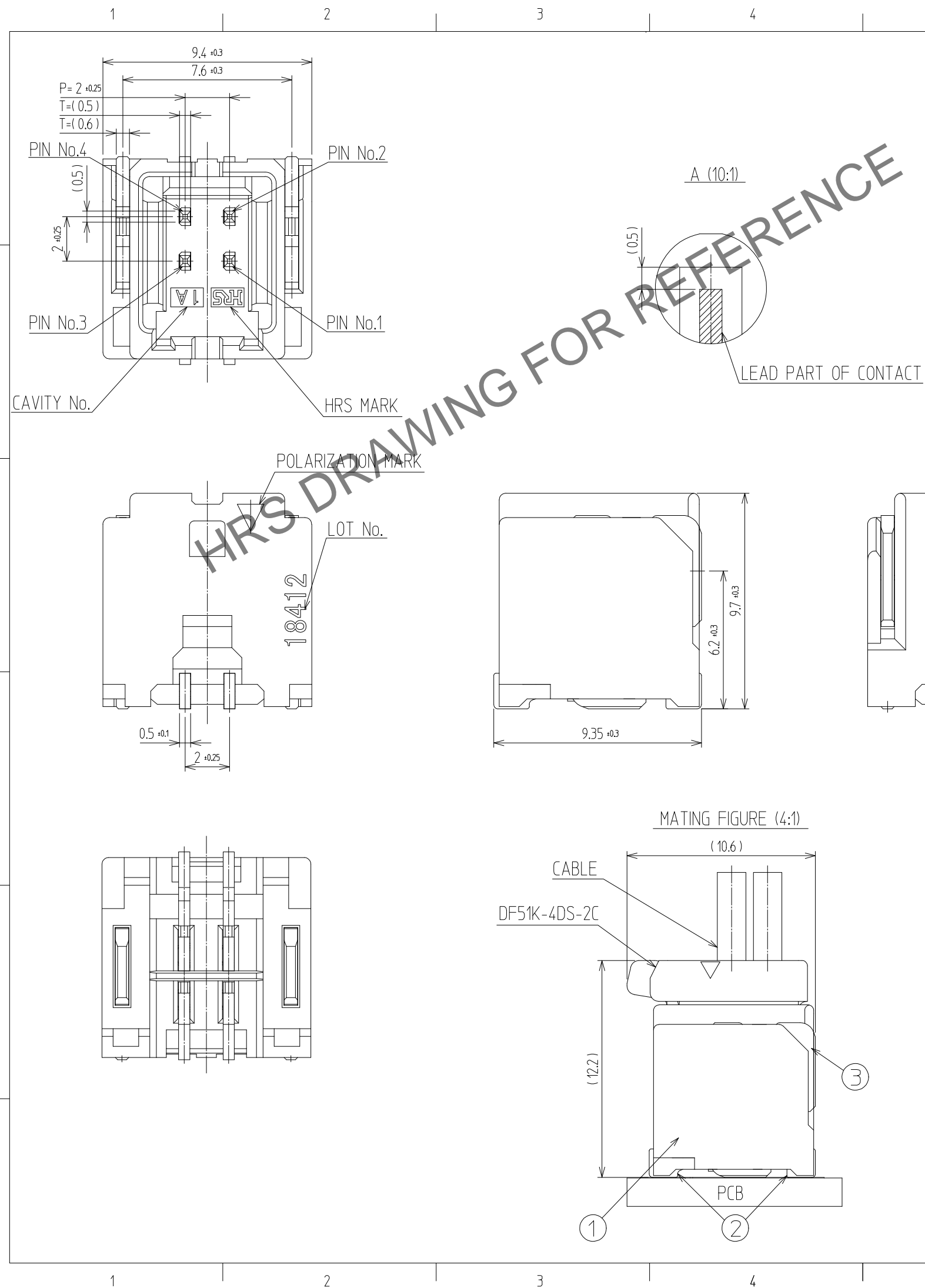
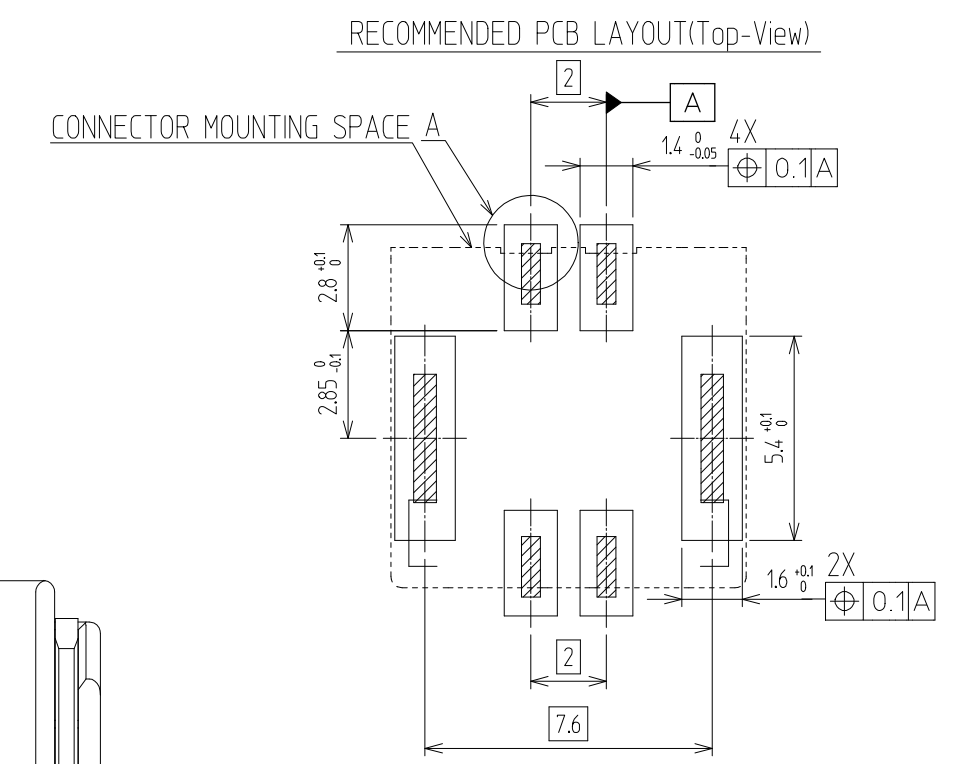


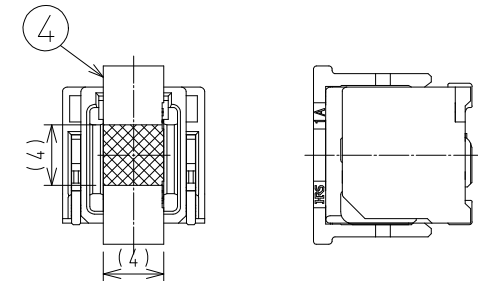
Feb. 1. 2025 Copyright 2025 HIROSE ELECTRIC CO., LTD. All Rights Reserved.
In case of consideration for using Automotive equipment / device which demand high reliability, kindly contact our sales window



△數 COUNT	訂正事項 DESCRIPTION OF REVISIONS	擔當 B	檢圖 CHKD	年月日 DATE	△數 COUNT	訂正事項 DESCRIPTION OF REVISIONS	擔當 B	檢圖 CHKD	年月日 DATE
△					△				
△					△				
△					△				



CAP COMBINATION (2:1)



- NOTE**
- SOLDERING TEMPERATURE : 250°C PEAK, 10sec MAX.
 - OPERATING TEMPERATURE : -55°~105°C
 - USED REFLOW SYSTEM : IN THE AIR OR NITROGEN
 - NO. OF CYCLES : 2 MAX
 - MATING PART
FEMALE : DF51K-4DS-2C
 - CO-PLANARITY : 0.12 MAX.
 - RECOMMENDED PCB THICKNESS IS 1.6mm.
 - RECOMMENDED SOLDER THICKNESS IS 0.15mm

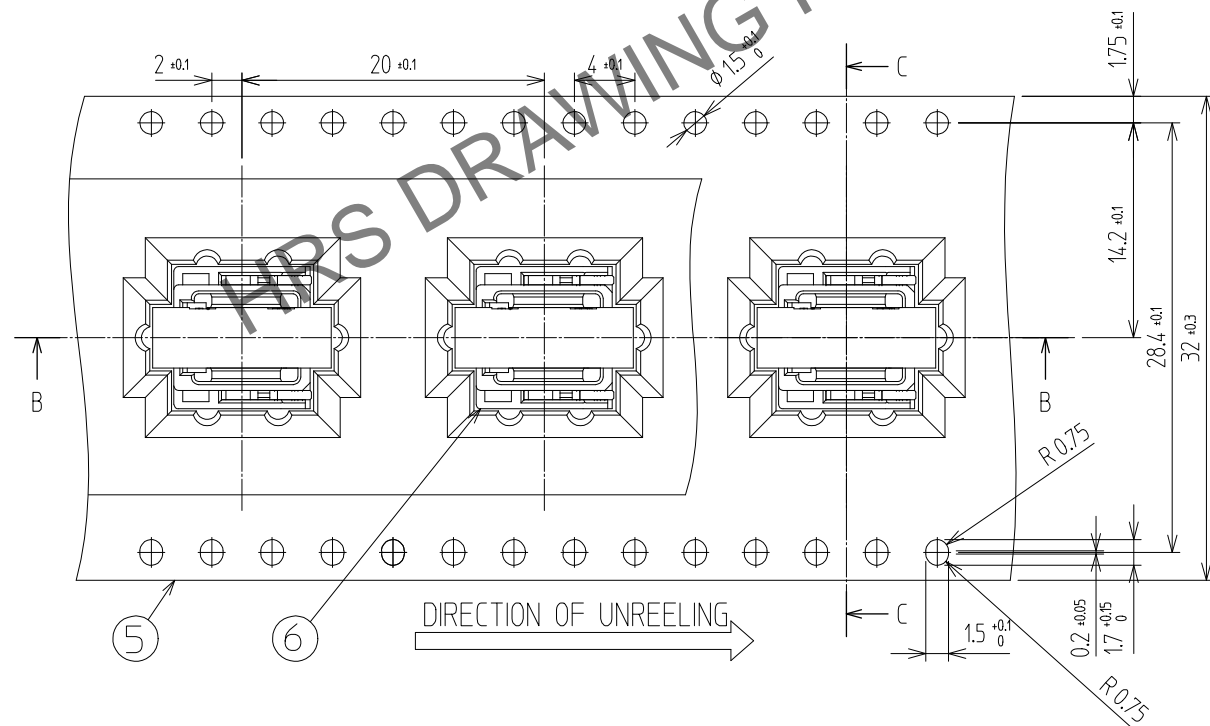
4	LCP	BLACK	8	PS	REEL BOBBIN
3	BRASS	TIN PLATED : 1~5 μm UNDER PLATING : NICKEL 1~4 μm	7	PET	COVER TAPE
2	BRASS	CONTACT AREA : GOLD 0.1 μm MIN SMT LEAD : GOLD 0.05 μm MIN UNDER PLATING : NICKEL 1~4 μm	6	CONNECTOR	DF51K-4DP-2V
1	LCP	BLACK	5	PS	EMBOSS CARRIER TAPE
NO.	MATERIAL	FINISH,REMARKS	NO.	MATERIAL	FINISH,REMARKS
CODE NO. (OLD)			DRAWN	DESIGNED	CHECKED
			CHO 22.04.20 J.S	CHO 22.04.20 J.S	LIM 22.04.20 S.M
			APPROVED	RELEASED	
			LIM 22.04.20 S.M	ENG 23.02.09 DEPT	
DRAWING NO. EDC3-633518			PART NO. DF51K-4DP-2V(805)		
SCALE 5:1 UNITS mm			CODE NO. CL 6652-0076-0-805		
HRS HIROSE KOREA CO.,LTD.			1/2		

Feb. 1. 2025 Copyright 2025 HIROSE ELECTRIC CO., LTD. All Rights Reserved.
In case of consideration for using Automotive equipment / device which demand high reliability, kindly contact our sales window

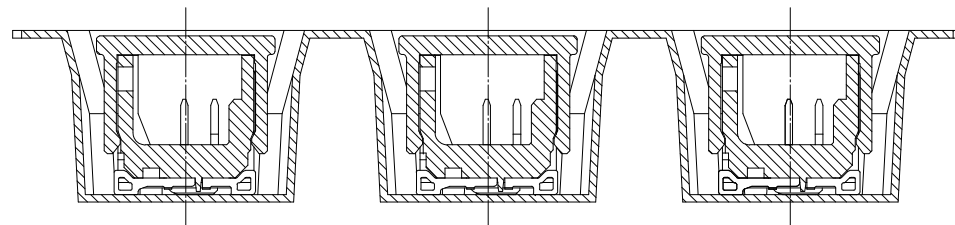
PACKING STYLE

PACKING STYLE DRAWING

EMBOSS (2:1)

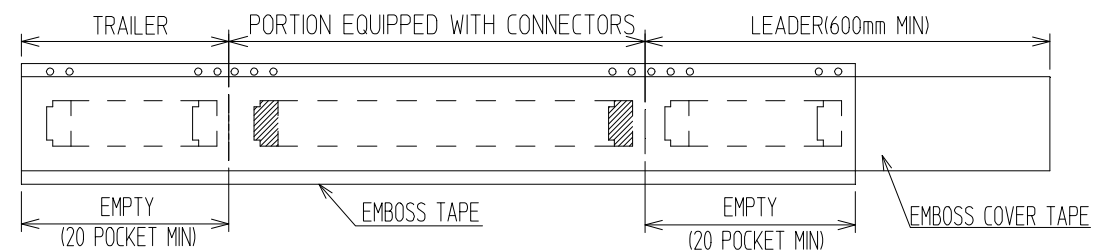
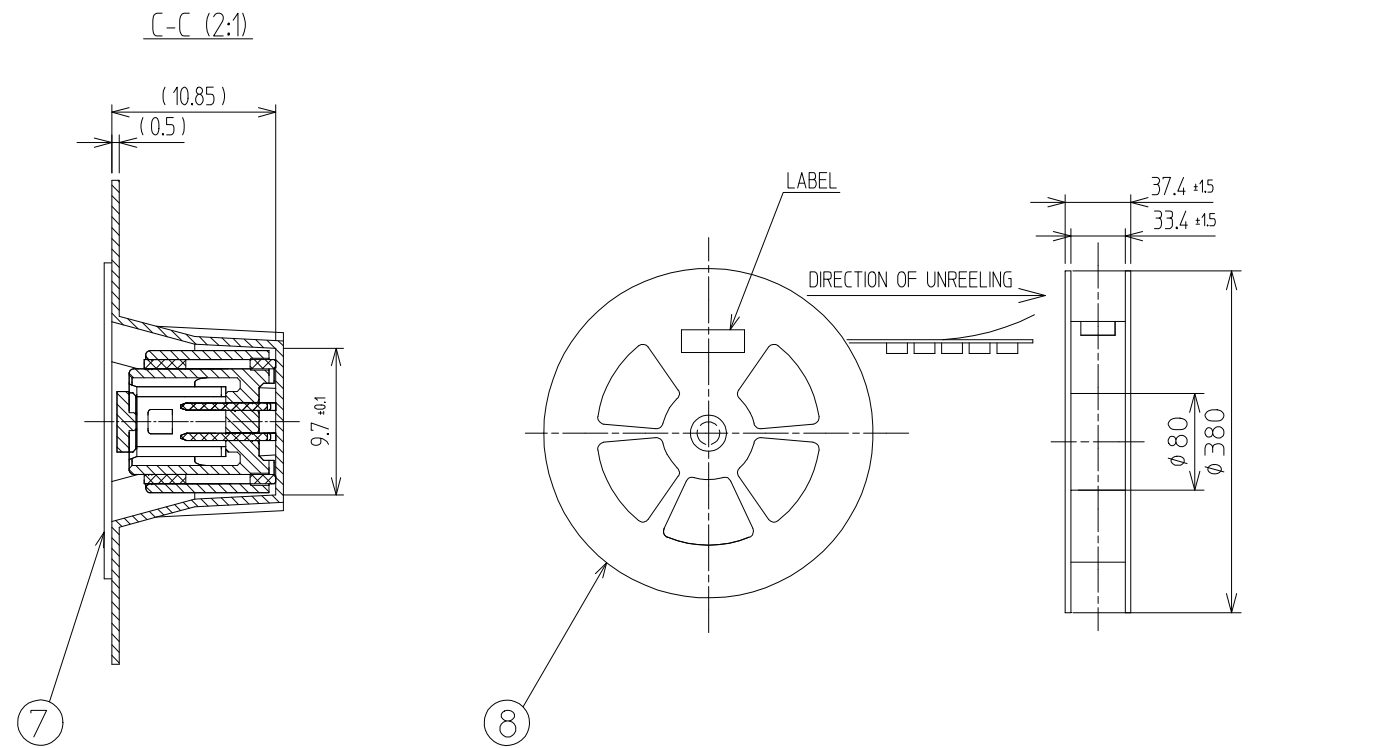


B-B (2:1)



△數 COUNT	訂正事項 DISCRIPTION OF REVISIONS	擔當 B	檢圖 Y	年月日 DATE	△數 COUNT	訂正事項 DISCRIPTION OF REVISIONS	擔當 B	檢圖 Y	年月日 DATE
△				..	△				..
△				..	△				..
△				..	△				..

REEL DIMENTSION (FREE)



 SCALE 5:1 UNITS mm	DRAWING NO. EDC3-633518	PART NO. DF51K-4DP-2V (805)	 HIROSE KOREA CO.,LTD.	CODE NO CL 6652-0076-0-805	 2 2