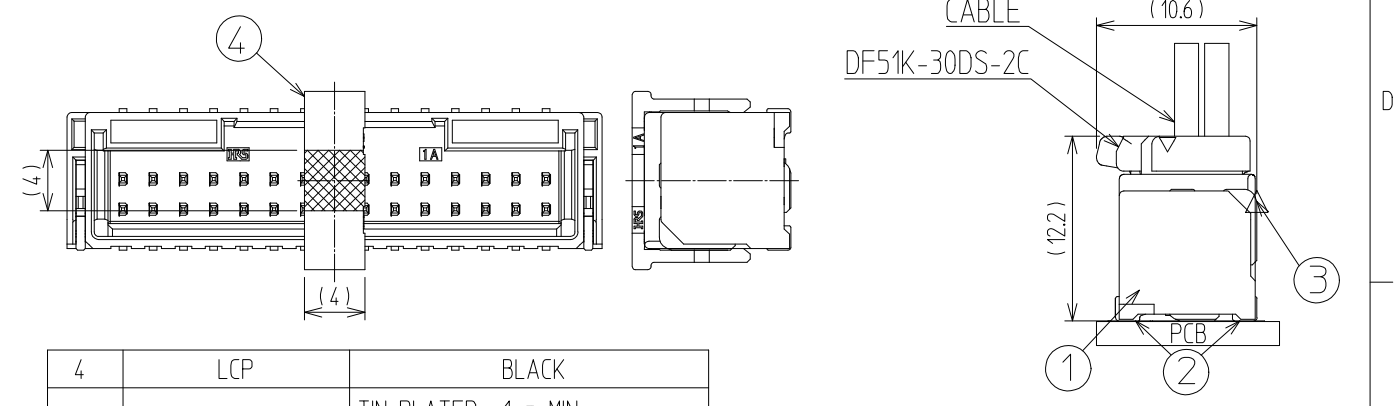
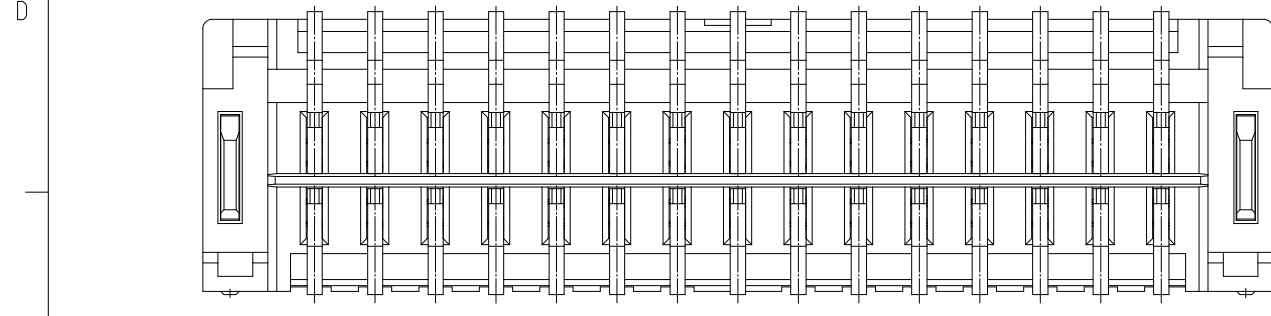
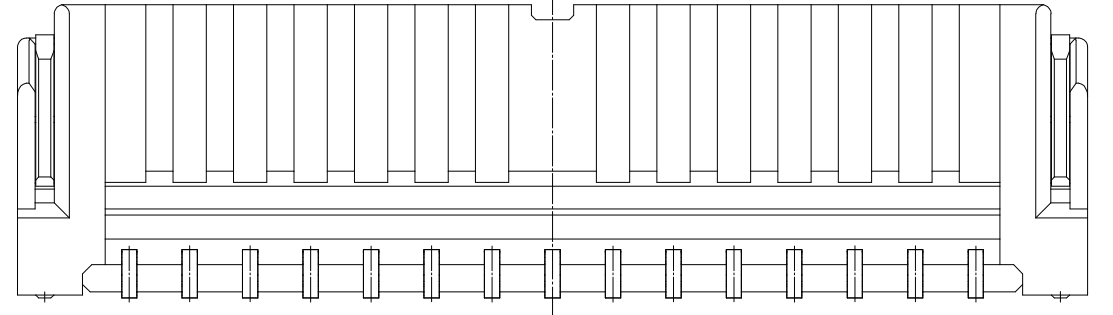
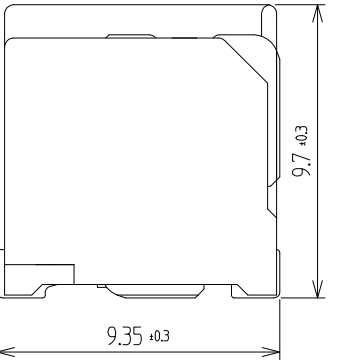
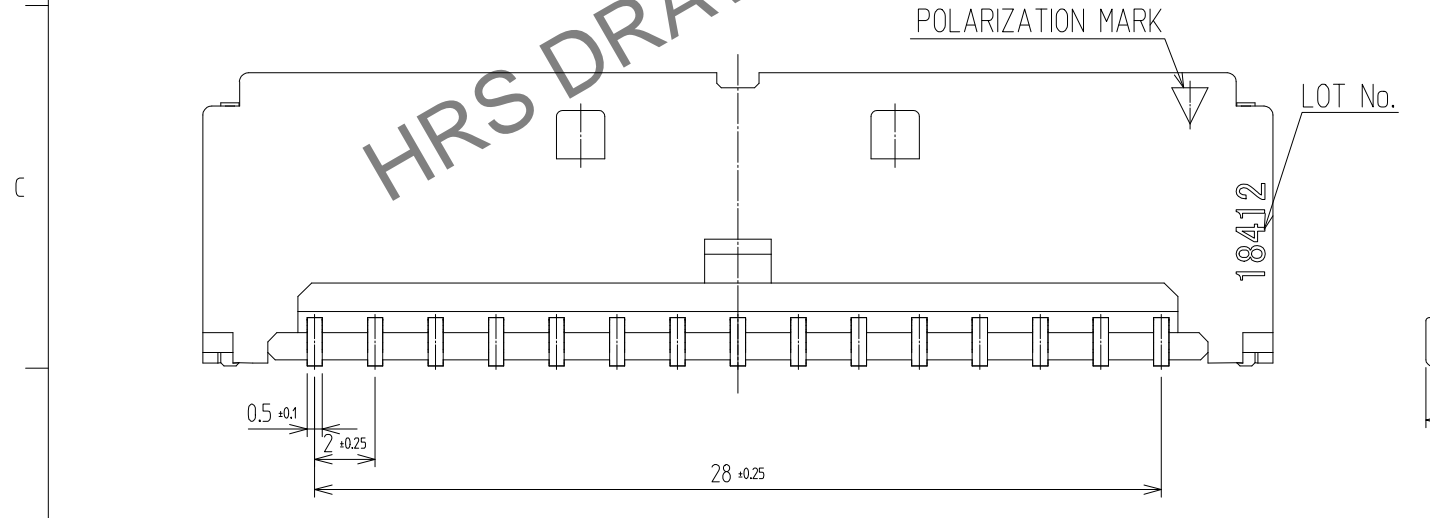
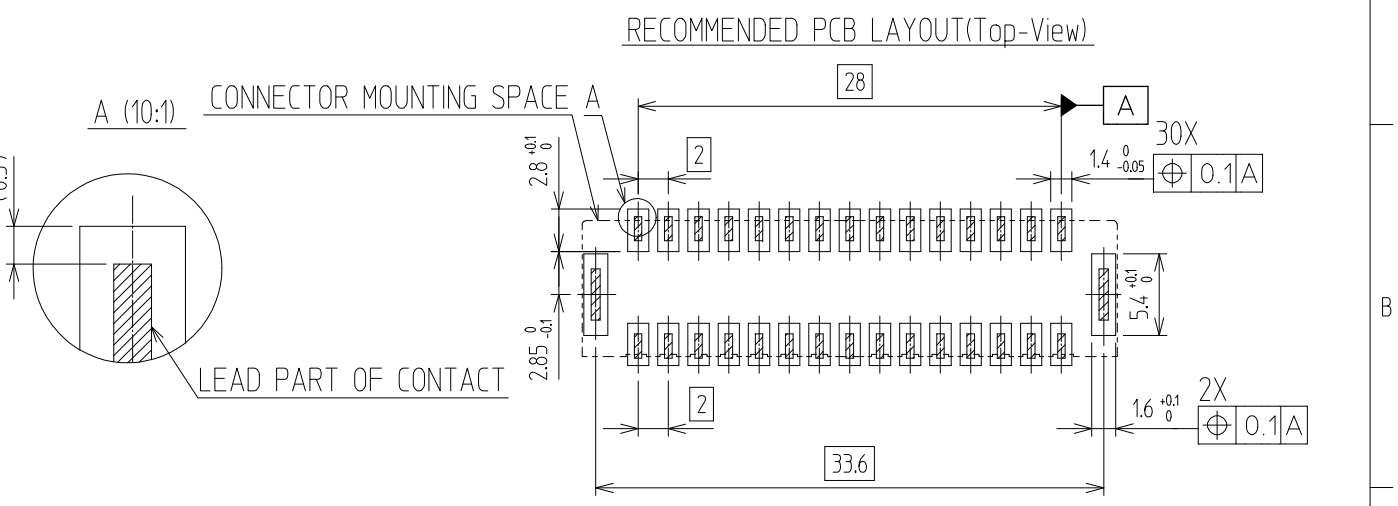
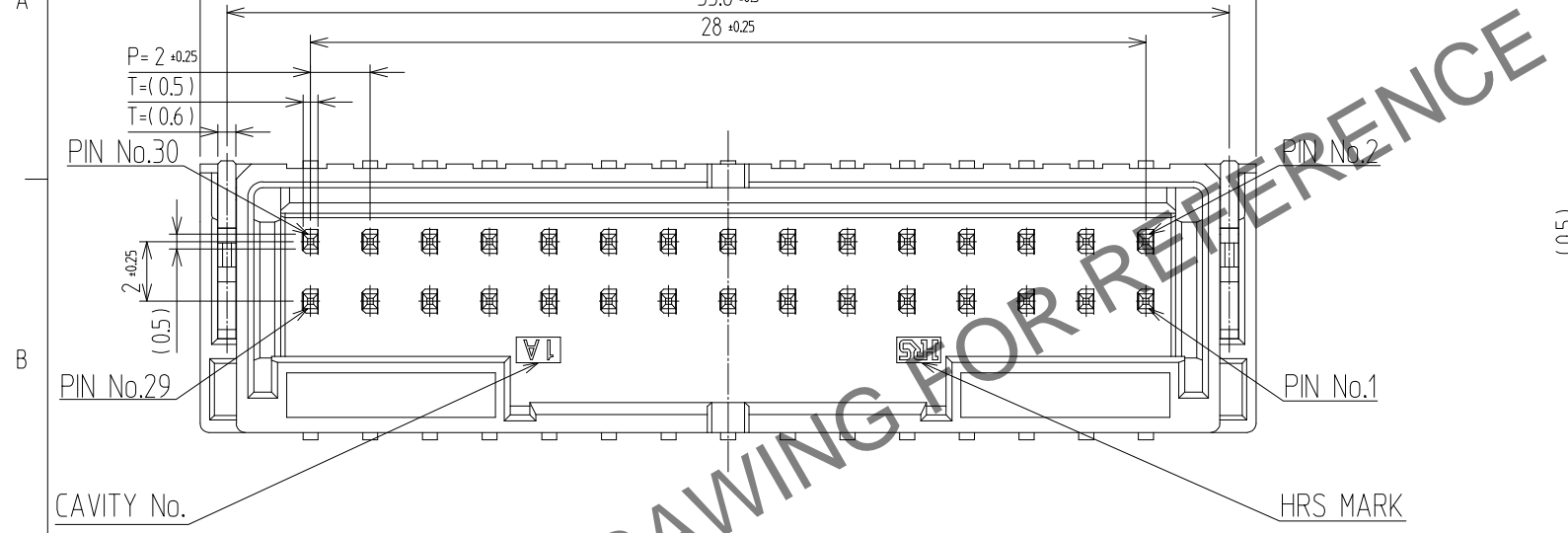


Feb. 1. 2025 Copyright 2025 HIROSE ELECTRIC CO., LTD. All Rights Reserved.
In case of consideration for using Automotive equipment / device which demand high reliability, kindly contact our sales window

△數 COUNT	訂正事項 DISCUSSION OF REVISIONS	擔當 B	檢圖 CHKD	年月日 DATE	△數 COUNT	訂正事項 DISCUSSION OF REVISIONS	擔當 B	檢圖 CHKD	年月日 DATE
△					△				
△					△				
△					△				



- NOTE
- SOLDERING TEMPERATURE : 250°C PEAK, 10sec MAX.
 - OPERATING TEMPERATURE : -55°~105°C
 - USED REFLOW SYSTEM : IN THE AIR OR NITROGEN
 - NO. OF CYCLES : 2 MAX
 - MATING PART
FEMALE : DF51K-30DS-2C
 - CO-PLANARITY : 0.12 MAX.
 - RECOMMENDED PCB THICKNESS IS 1.6mm.
 - RECOMMENDED SOLDER THICKNESS IS 0.15mm
 - UL(File No. E132750) AUTHORIZATION ARTICLE.
C-UL(File No. E132750) AUTHORIZATION ARTICLE.

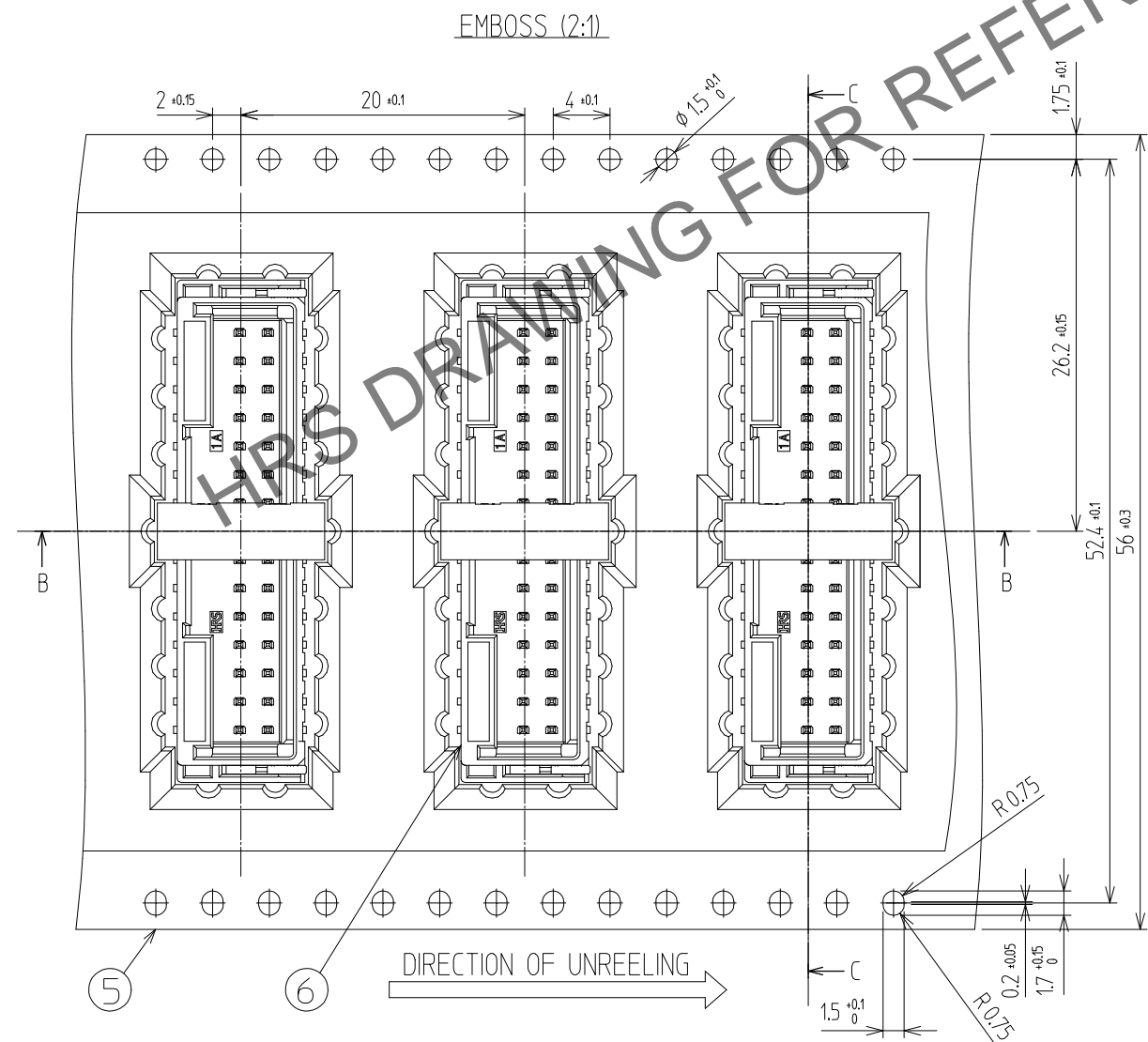


4	LCP	BLACK	8	PS	REEL BOBBIN
3	BRASS	TIN PLATED : 1μm MIN UNDER PLATING : NICKEL 1μm MIN	7	PET	COVER TAPE
2	BRASS	TIN PLATED : 1μm MIN UNDER PLATING : NICKEL 1μm MIN	6	CONNECTOR	DF51K-30DP-2V
1	LCP	BLACK	5	PS	EMBOSS CARRIER TAPE
NO.	MATERIAL	FINISH,REMARKS	NO.	MATERIAL	FINISH,REMARKS
CODE NO. (OLD)			DRAWN	DESIGNED	CHECKED
			CHO 23.07.05 J.S	CHO 23.07.05 J.S	LIM 23.07.05 S.M
			APPROVED		
			LIM 23.07.05 S.M		
			RELEASED		
			ENG 2023.07.24 DEPT		
DRAWING NO. EDC3-633527			PART NO. DF51K-30DP-2V(800)		
SCALE 4:1 UNITS mm			CODE NO. CL 6652-0078-6-800		
HRS HIROSE KOREA CO.,LTD.					

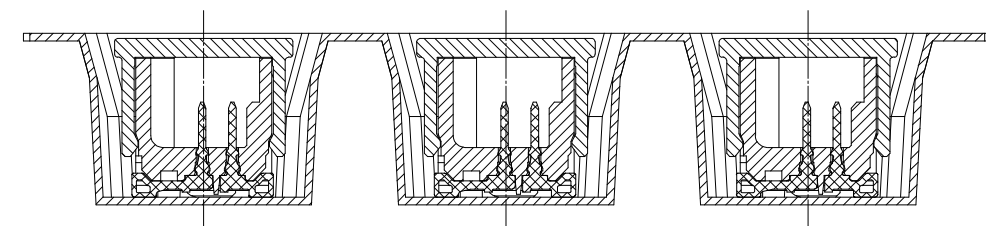
Feb. 1. 2025 Copyright 2025 HIROSE ELECTRIC CO., LTD. All Rights Reserved.
In case of consideration for using Automotive equipment / device which demand high reliability, kindly contact our sales window

PACKING STYLE

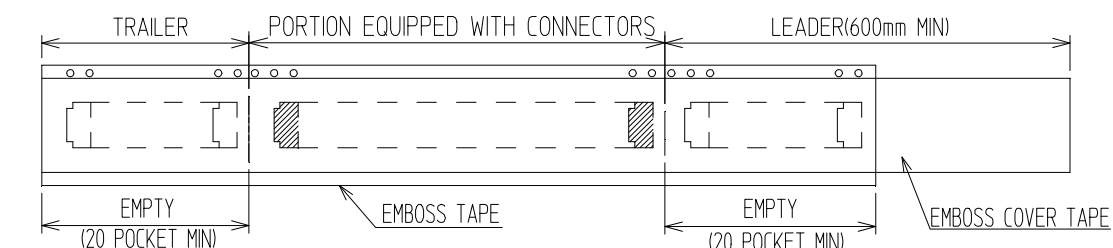
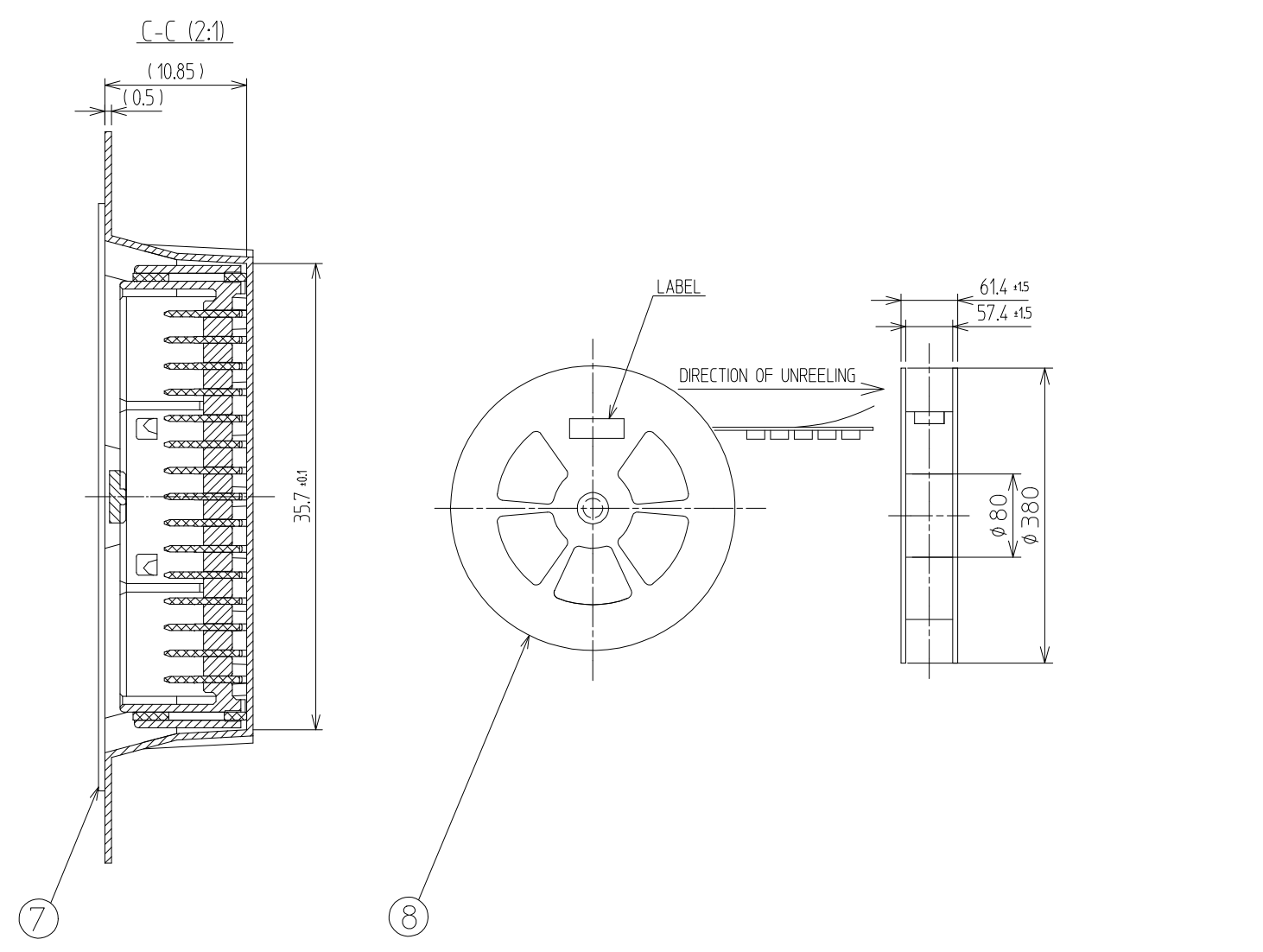
PACKING STYLE DRAWING



B-B (2:1)



REEL DIMENSION (FREE)



△數 COUNT	訂正事項 DISCRIPTION OF REVISIONS	擔當 B	檢圖 Y	年月日 DATE	△數 COUNT	訂正事項 DISCRIPTION OF REVISIONS	擔當 B	檢圖 Y	年月日 DATE
△				..	△				..
△				..	△				..
△				..	△				..

 SCALE 4:1 UNITS mm	DRAWING NO. EDC3-633527	PART NO. DF51K-30DP-2V (800)	2/2
	 HIROSE KOREA CO.,LTD.	CODE NO CL 6652-0078-6-800	