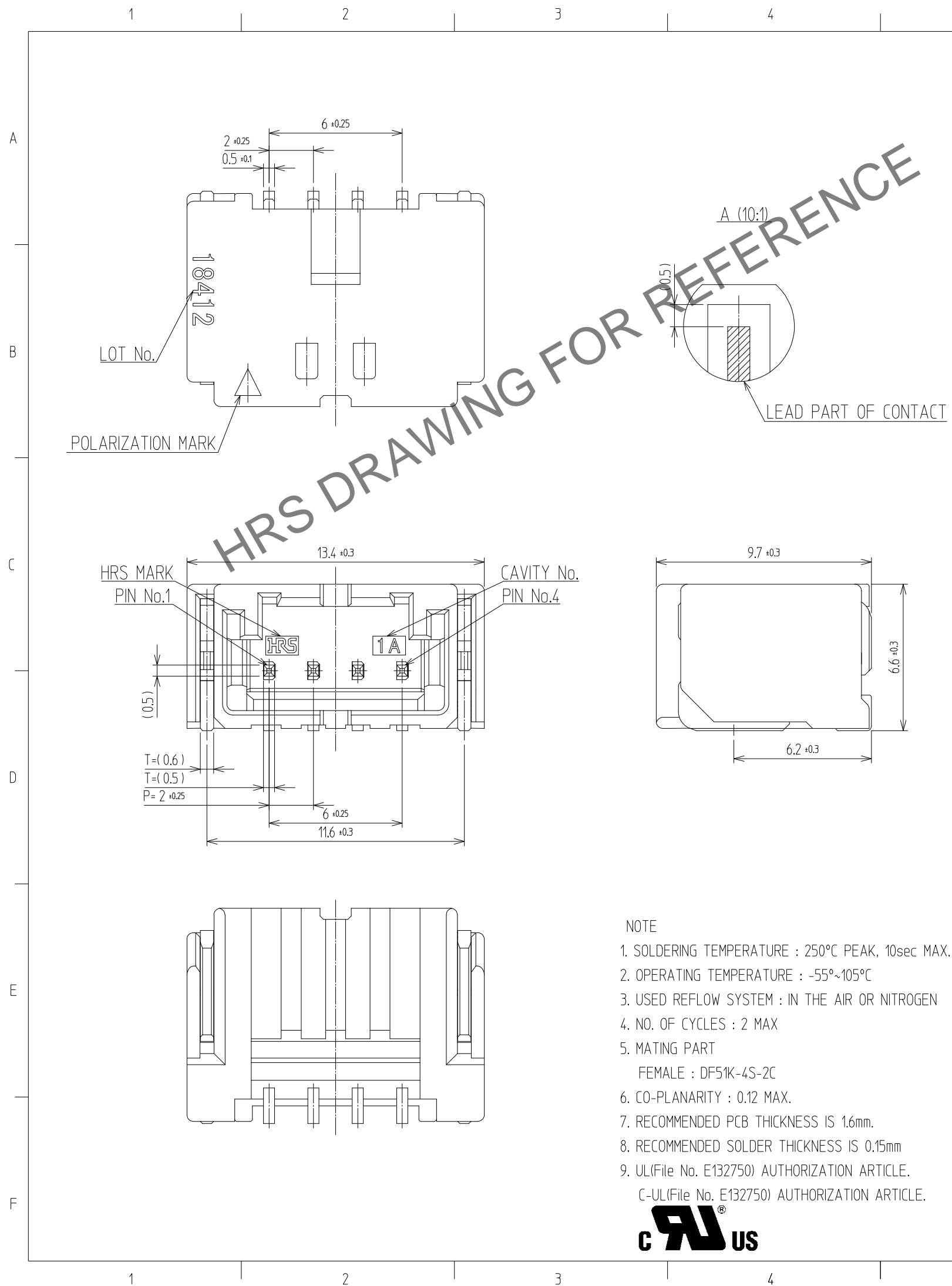
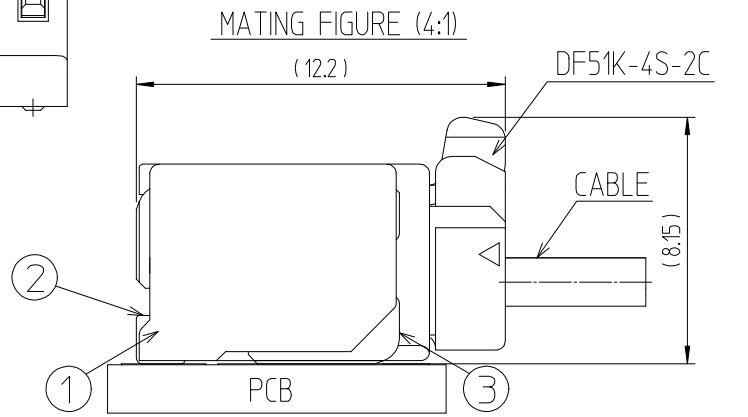
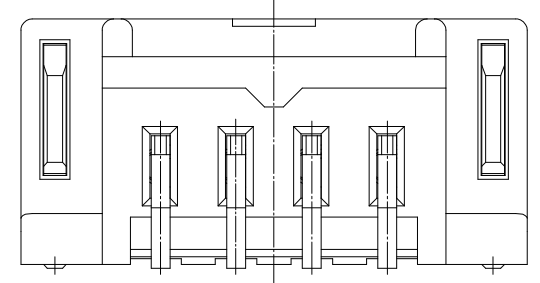
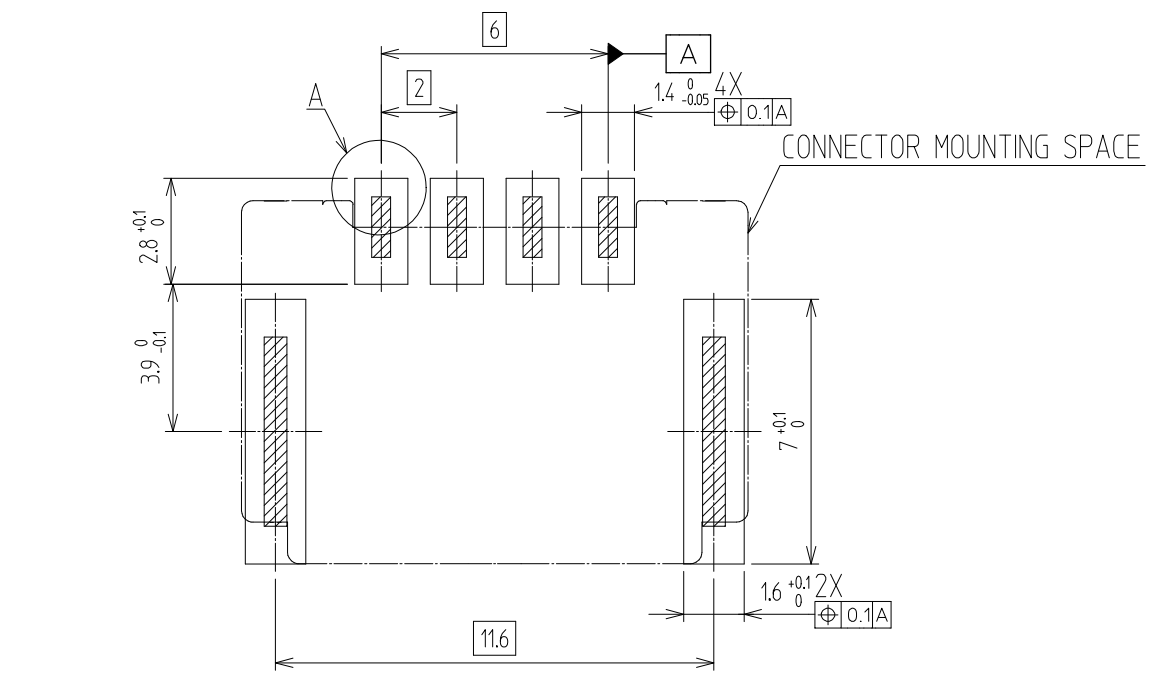


Jan.1.2025 Copyright 2025 HIROSE ELECTRIC CO., LTD. All Rights Reserved.  
In case of consideration for using Automotive equipment / device which demand high reliability, kindly contact our sales window



△數 COUNT	訂正事項 DESCRIPTION OF REVISIONS	擔當 B	檢圖 Y	年月日 DATE	△數 COUNT	訂正事項 DESCRIPTION OF REVISIONS	擔當 B	檢圖 Y	年月日 DATE
△					△				
△					△				
△					△				

RECOMMENDED PCB LAYOUT(Top-View)



- NOTE
- SOLDERING TEMPERATURE : 250°C PEAK, 10sec MAX.
  - OPERATING TEMPERATURE : -55°~105°C
  - USED REFLOW SYSTEM : IN THE AIR OR NITROGEN
  - NO. OF CYCLES : 2 MAX
  - MATING PART  
FEMALE : DF51K-4S-2C
  - CO-PLANARITY : 0.12 MAX.
  - RECOMMENDED PCB THICKNESS IS 1.6mm.
  - RECOMMENDED SOLDER THICKNESS IS 0.15mm
  - UL(File No. E132750) AUTHORIZATION ARTICLE.  
C-UL(File No. E132750) AUTHORIZATION ARTICLE.

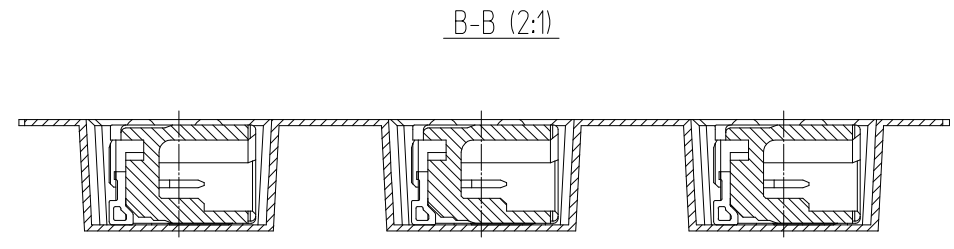
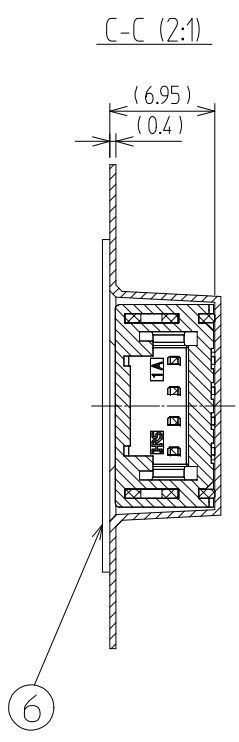
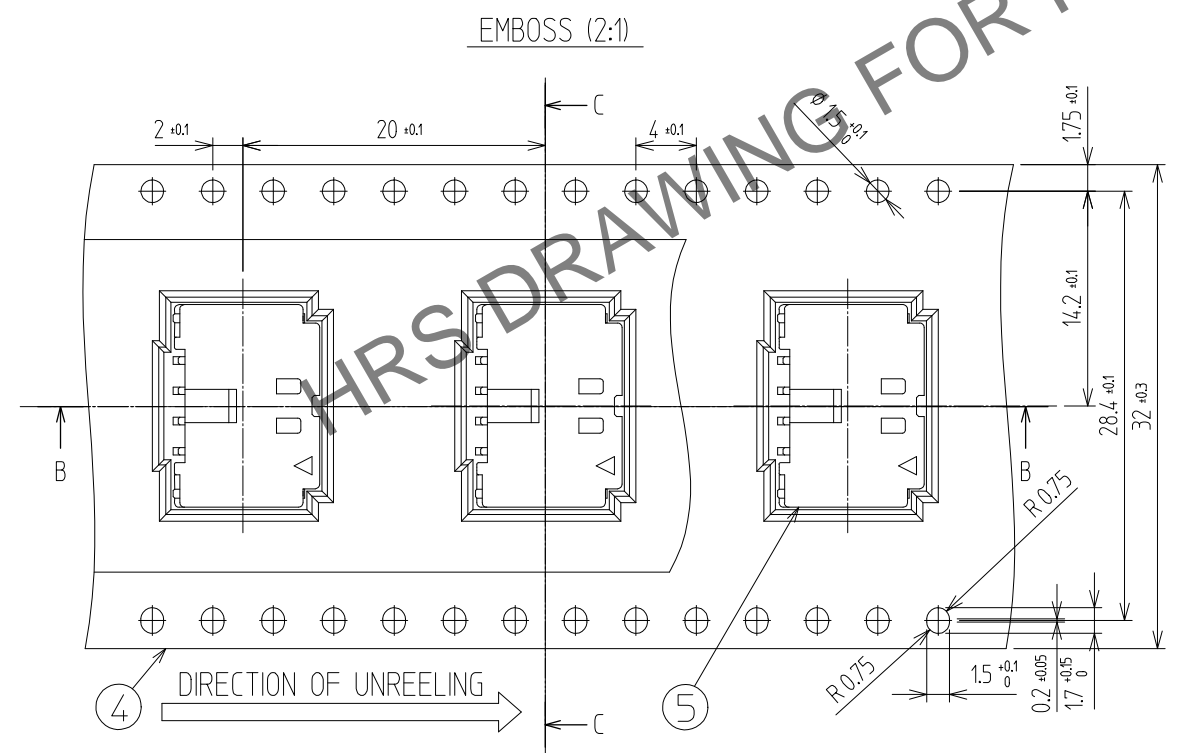


3	BRASS	TIN PLATED : 1μm MIN UNDER PLATING : NICKEL 1μm MIN	7	PS	REEL BOBBIN
2	BRASS	TIN PLATED : 1μm MIN UNDER PLATING : NICKEL 1μm MIN	6	PET	COVER TAPE
1	LCP	BLACK	5	CONNECTOR	DF51K-4P-2H
NO.	MATERIAL	FINISH,REMARKS	NO.	MATERIAL	FINISH,REMARKS
CODE NO. (OLD)			DRAWN	DESIGNED	CHECKED
			CHO 22.04.20 J.S	CHO 22.04.20 J.S	LIM 22.04.20 S.M
DRAWING NO. EDC3-633588			PART NO. DF51K-4P-2H(800)		
SCALE 5:1 UNITS mm			CODE NO. CL 6652-0088-0-800		
					RELEASED ENG 2023.07.24 DEPT
					1/2

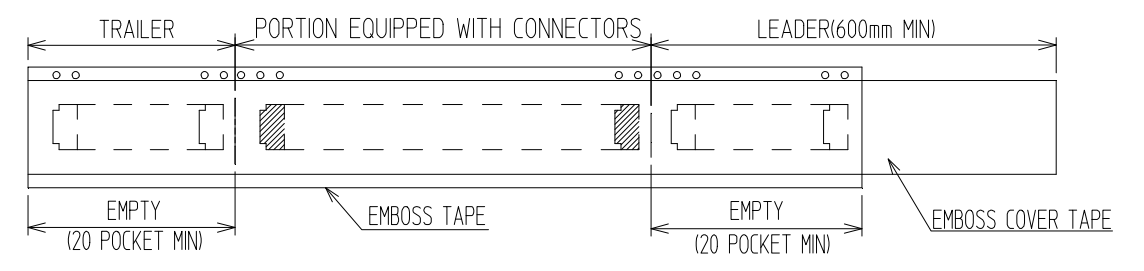
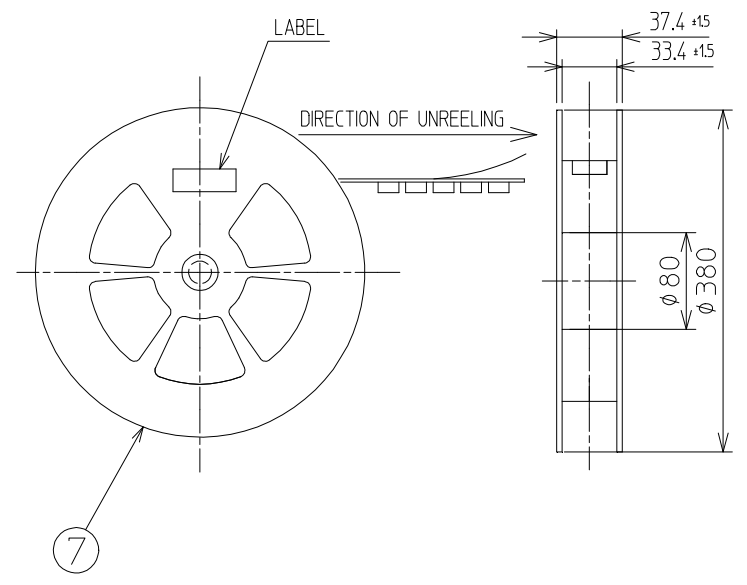
Jan.1.2025 Copyright 2025 HIROSE ELECTRIC CO., LTD. All Rights Reserved.  
In case of consideration for using Automotive equipment / device which demand high reliability, kindly contact our sales window

# PACKING STYLE

## PACKING STYLE DRAWING



## REEL DIMENSION (FREE)



△數 COUNT	訂正事項 DISCRIPTION OF REVISIONS	擔當 B	檢圖 Y	年月日 DATE	△數 COUNT	訂正事項 DISCRIPTION OF REVISIONS	擔當 B	檢圖 Y	年月日 DATE
△				..	△				..
△				..	△				..
△				..	△				..

 SCALE 5:1 UNITS mm	DRAWING NO. EDC3-633588	PART NO. DF51K-4P-2H(800)	CODE NO CL 6652-0088-0-800 2/2
	 HIROSE KOREA CO.,LTD.		