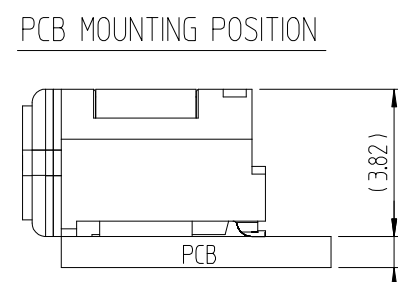
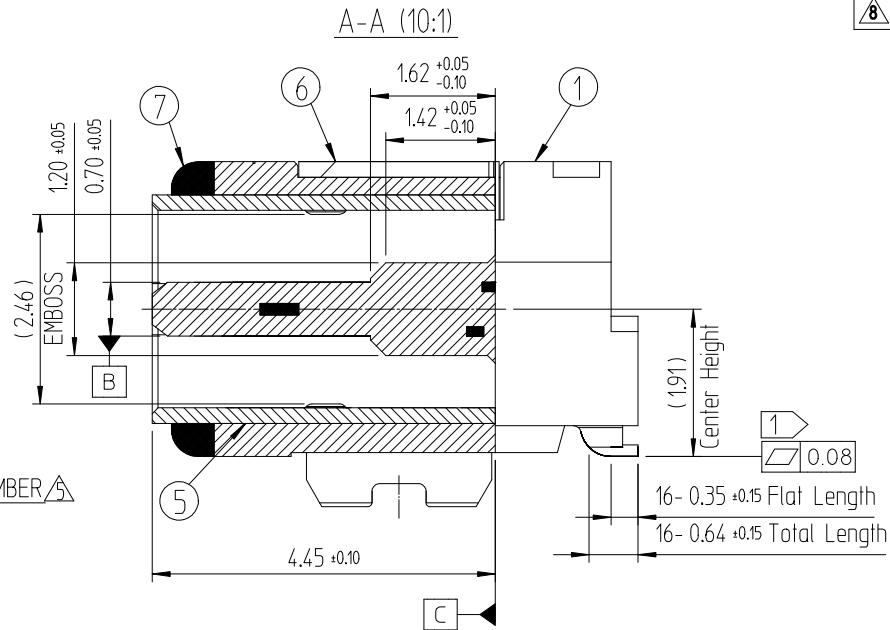
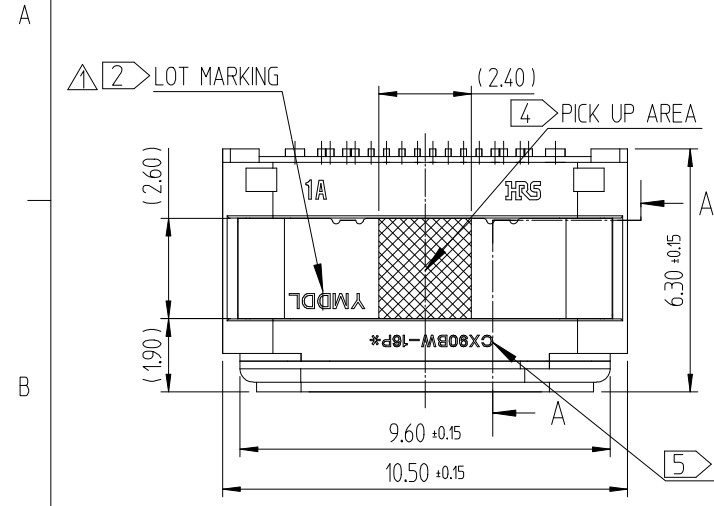
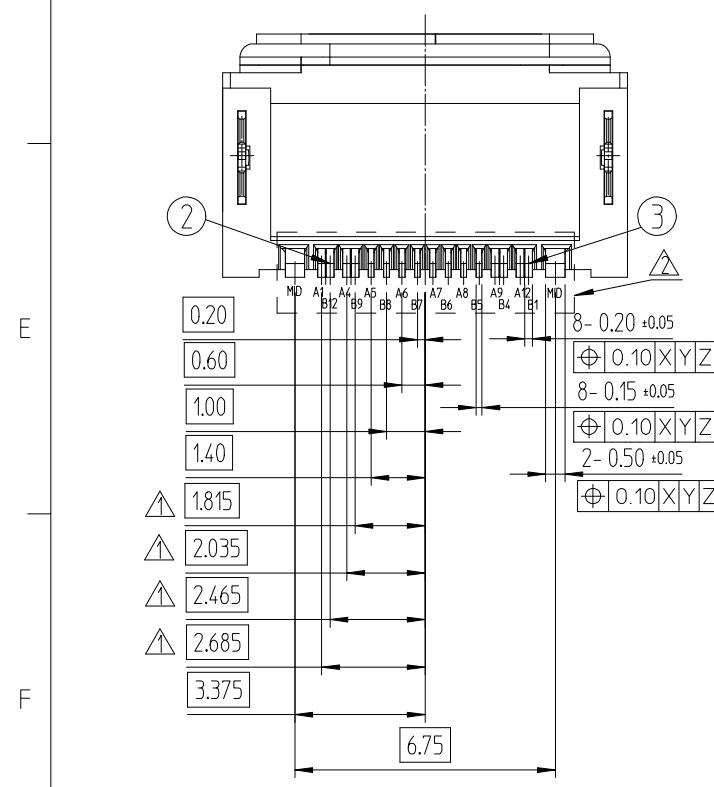
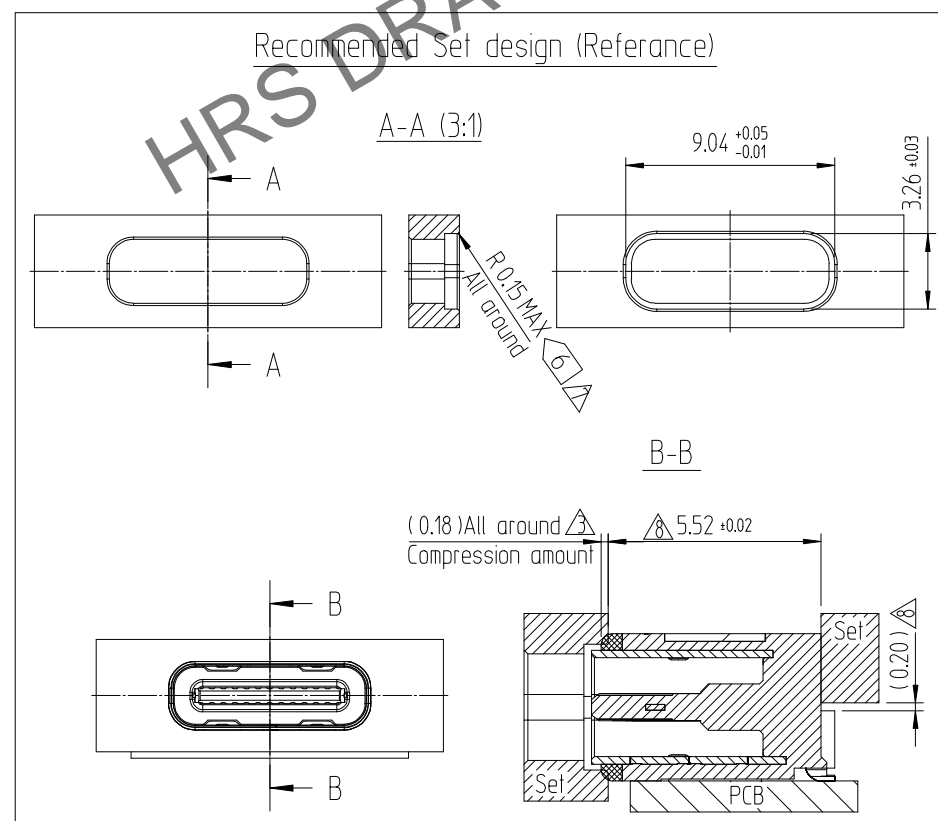
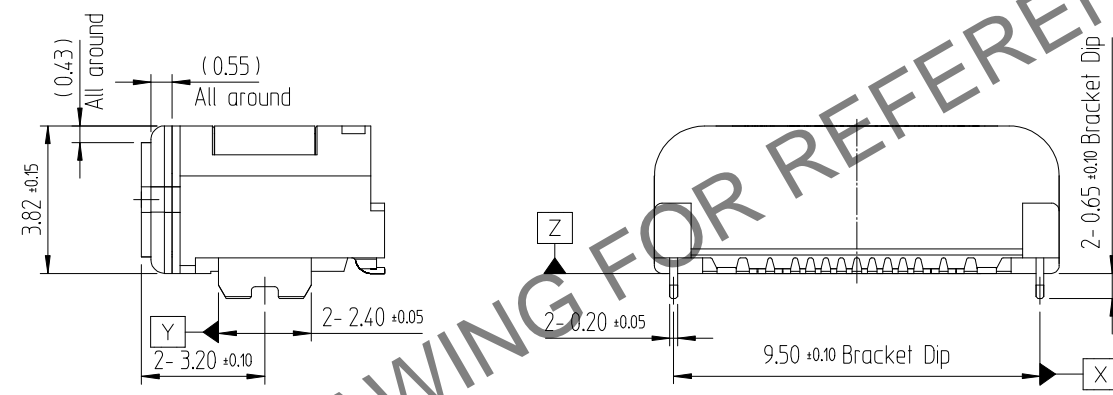
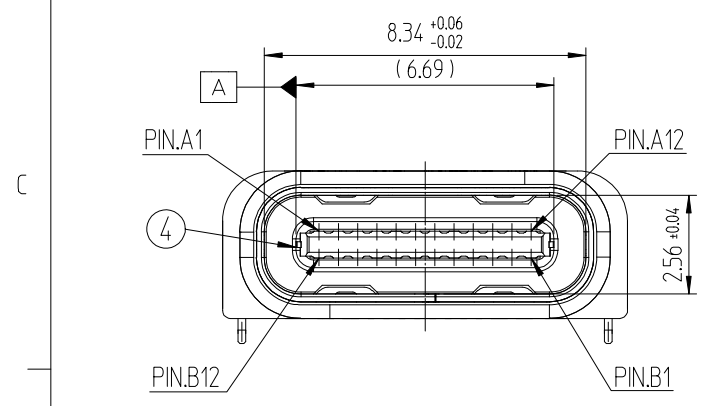
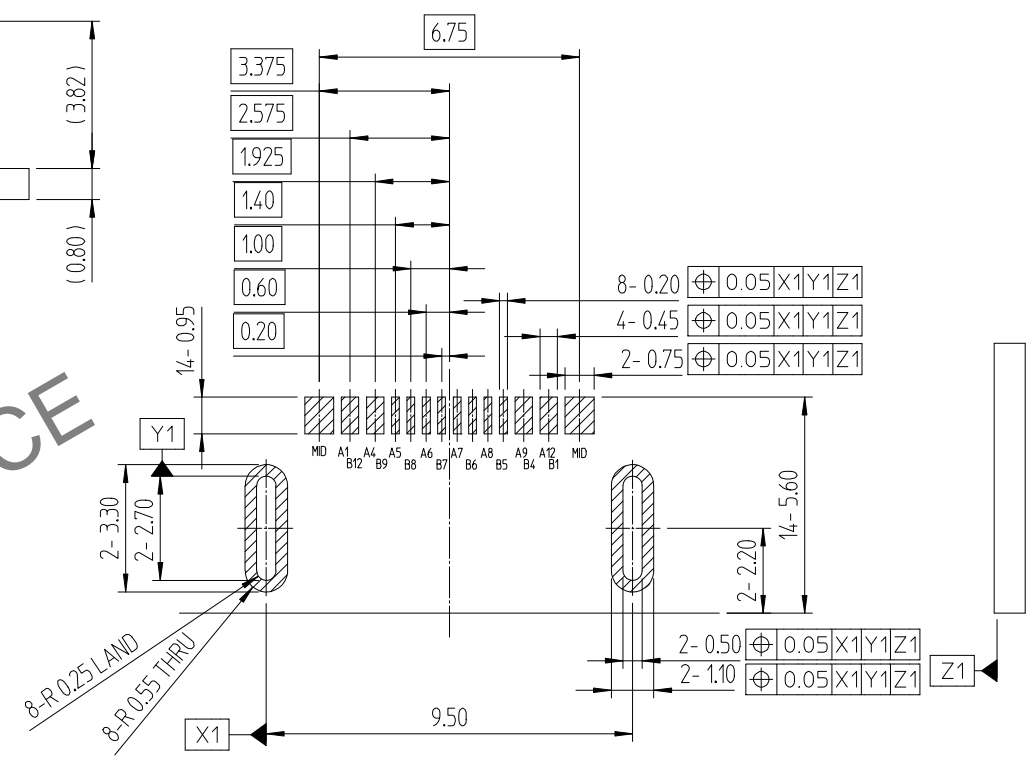


Jan. 1. 2025 Copyright 2025 HIROSE ELECTRIC CO., LTD. All Rights Reserved.  
 In case of consideration for using Automotive equipment / device which demand high reliability, kindly contact our sales window correspondents.

訂正事項				訂正事項					
△數	DESCRIPTION OF REVISIONS	擔當	檢圖	年月日	△數	DESCRIPTION OF REVISIONS	擔當	檢圖	年月日
COUNT		B	CHKD	DATE	COUNT		B	CHKD	DATE
1	EC(RE-2-2351)	KYG	LHJ	23. 07. 28	9	EC(RE-2-2477)	KYG	LHJ	23. 12. 08
3	EC(RE-2-2395)	KYG	LHJ	23. 10. 30	10	EC(RE-2-2556)	OSW	LHJ	24. 05. 01
2	EC(RE-2-2469)	KYG	LHJ	23. 12. 05					



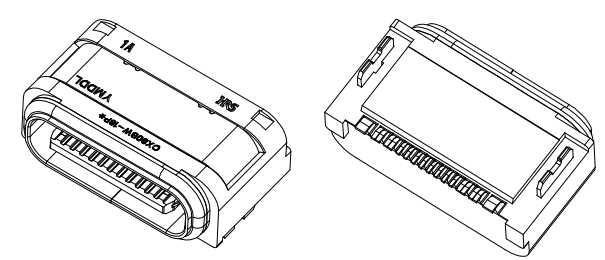
△ RECOMMENDED PCB LAYOUT(TOP-VIEW)  
 (GENERAL TOLERANCE : ±0.05)



NO.	DESCRIPTIONS	MATERIAL	FINISH	REMARKS
7	GASKET	URETHANE	RED COLOR	-
6	BRACKET	STAINLESS STEEL	NICKEL PLATING	-
5	SHELL	STAINLESS STEEL	CLENSING	-
4	MID PLATE	STAINLESS STEEL	SOLDER AREA : GOLD OVER NICKEL THE OTHER AREA : NICKEL PLATING	-
3	CONTACT 2ND	COPPER	CONTACT AREA : GOLD OVER NICKEL SOLDER AREA : GOLD OVER NICKEL	-
2	CONTACT 1ST	COPPER	CONTACT AREA : GOLD OVER NICKEL SOLDER AREA : GOLD OVER NICKEL	-
1	INSERT CASE	THERMOPLASTIC	BLACK COLOR	UL94V-0

CODE NO. (OLD)	DRAWN	DESIGNED	CHECKED	APPROVED	RELEASED
	Y.B.PARK 21.07.08	Y.B.PARK 21.07.08	H.J.LEE 21.07.08	H.J.LEE 21.07.08	ENG 24.05.01 DEPT

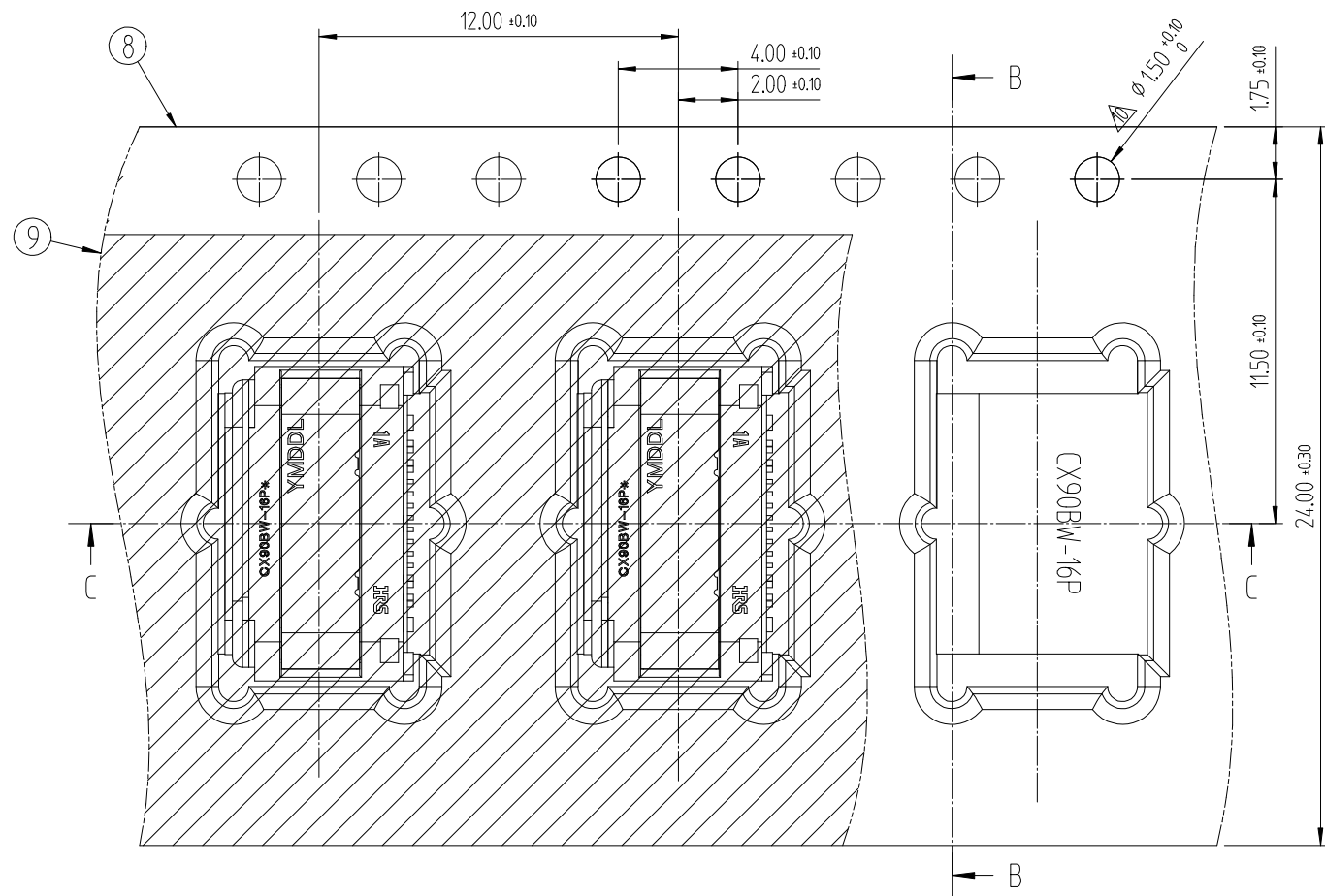
SCALE 5:1 UNITS mm	DRAWING NO. EDC3-633131-00	PART NO. CX90BW-16P*	CODE NO. △ 5 > CL ****-****-**-****	1/2
-----------------------------	-------------------------------	-------------------------	--	-----



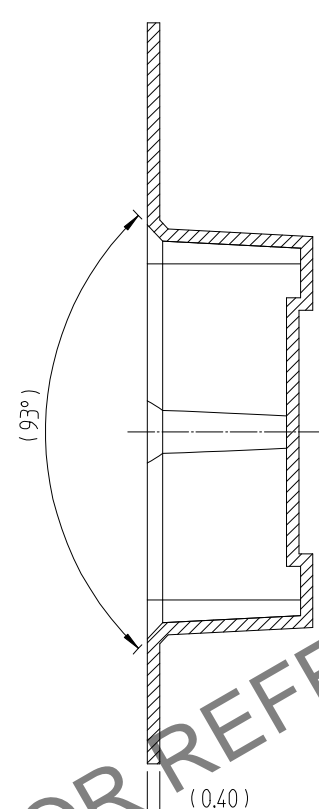
Jan. 1.2025 Copyright 2025 HIROSE ELECTRIC CO., LTD. All Rights Reserved.  
In case of consideration for using Automotive equipment / device which demand high reliability, kindly contact our sales window correspondents.

DRAWING FOR PACKING

DIRECTION OF UNREELING

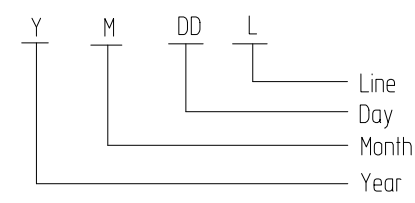


B-B



[NOTE]

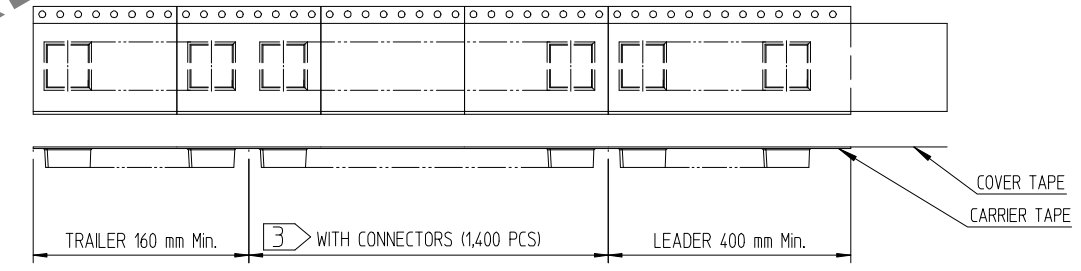
- ① Co-planarity  
- Pin : 0.08MAX Before Reflow , 0.10MAX After Reflow 2times
- ② Lot marking : 5 digits (YMDDL)



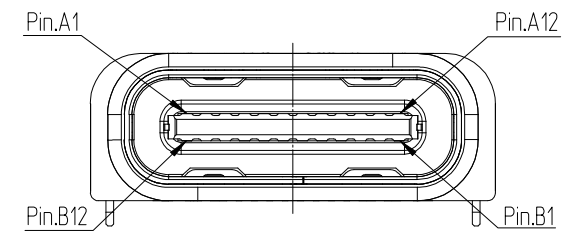
[Chart-1] LOT MARKING

Year	Month	Day	Production Line
Ex. Mark	Ex. Mark	Ex. Mark	Ex. MARK
2020	0	Jan. 1	1st 01 Sample S
2021	1	Feb. 2	2nd 02 MP Manual#1 1
2022	2	Mar. 3	3th 03 MP Manual#2 2
2023	3	Apr. 4	4th 04 MP Manual#3 3
2024	4	May 5	5th 05 MP Manual#4 4
2025	5	Jun. 6	6th 06 ... ..
2026	6	Jul. 7	7th 07 MP Auto#1 A
2027	7	Aug. 8	8th 08 MP Auto#2 B
2028	8	Sep. 9	9th 09 MP Auto#3 C
2029	9	Oct. A	10th 10 MP Auto#4 D
		Nov. B	11th 11 MP Auto#5 E
		Dec. C	... ..

- 3. Carrier tape packing  
Packing quantity : 1,400EA/REEL  
Cover tape peeling force : 10~130gf(0.1~1.3N) @ 300mm/min

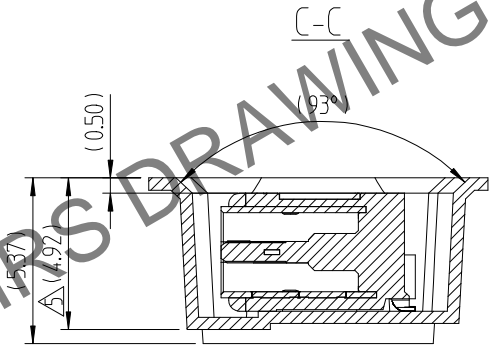


PIN ASSIGNMENT(FRONT-VIEW)



A1	A2	A3	A4	A5	A6	A7	A8	A9	A10	A11	A12
GND		Vbus	CC1	D+	D-	SBU1	Vbus				GND
GND		Vbus	SBU2	D-	D+	CC2	Vbus				GND
B12	B11	B10	B9	B8	B7	B6	B5	B4	B3	B2	B1

HRS DRAWING FOR REFERENCE

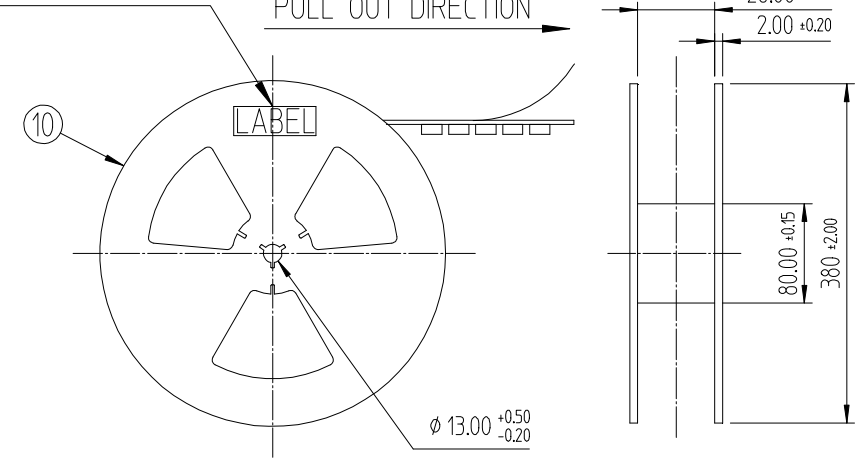


- ④ Pickup area
- ⑤ Series P/N Marking

No.	P/N	Marking	Code No.	Description
1	CX90BW-16P	Blank	CL 6246-0002-0-000	IP54, Air leak Full-inspection
2	CX90BW-16P(001)	CX90BW-16P	CL 6246-0002-0-001	IP54, Air leak Full-inspection
3	CX90BW-16P1	CX90BW-16P1	CL 6247-0004-1-000	IP68, Air leak Full-inspection

- ⑥ No tear or damage to the gasket of connector due to sharp shape such as burr, flash on the set side.

LABEL POSITION



10	REEL BOBBIN	PS	-	-
9	COVER TAPE	PET	-	-
8	EMBOSS TAPE	PS	Thermo-Comperssion Sealing	-
NO.	DESCRIPTIONS	MATERIAL	FINISH	REMARKS
DRAWING NO. EDC3-633131-00		PART NO. CX90BW-16P*		
SCALE 3:1	UNITS mm		CODE NO. ⑤ CL ****-****-****	2/2
HRS HIROSE KOREA CO.,LTD.				