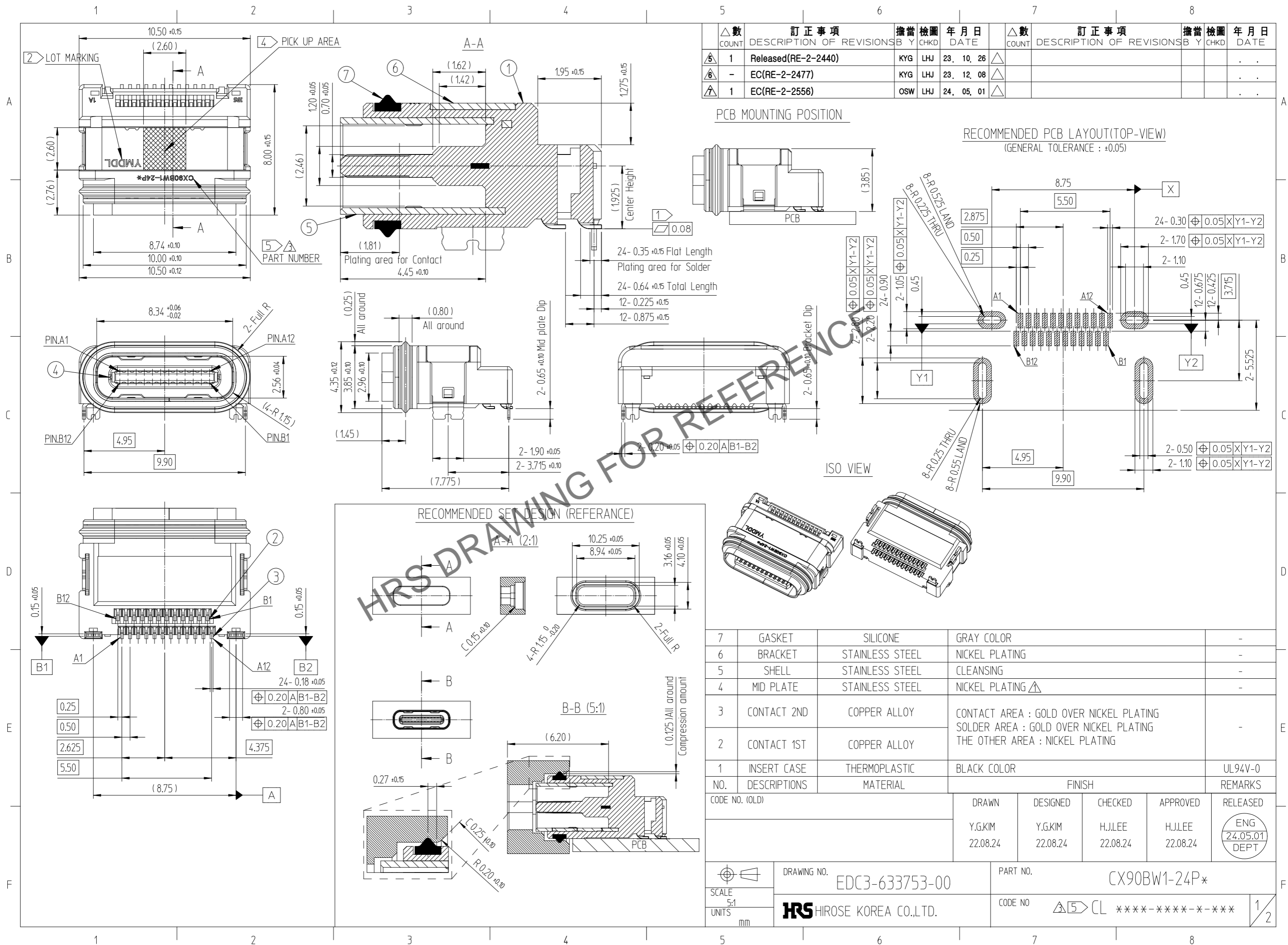
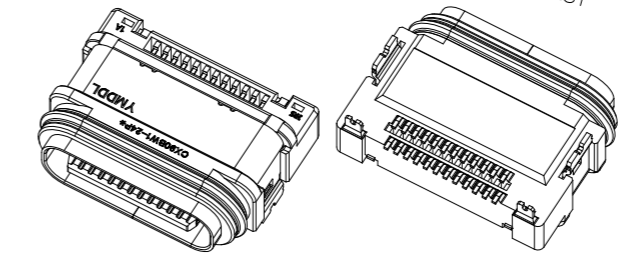
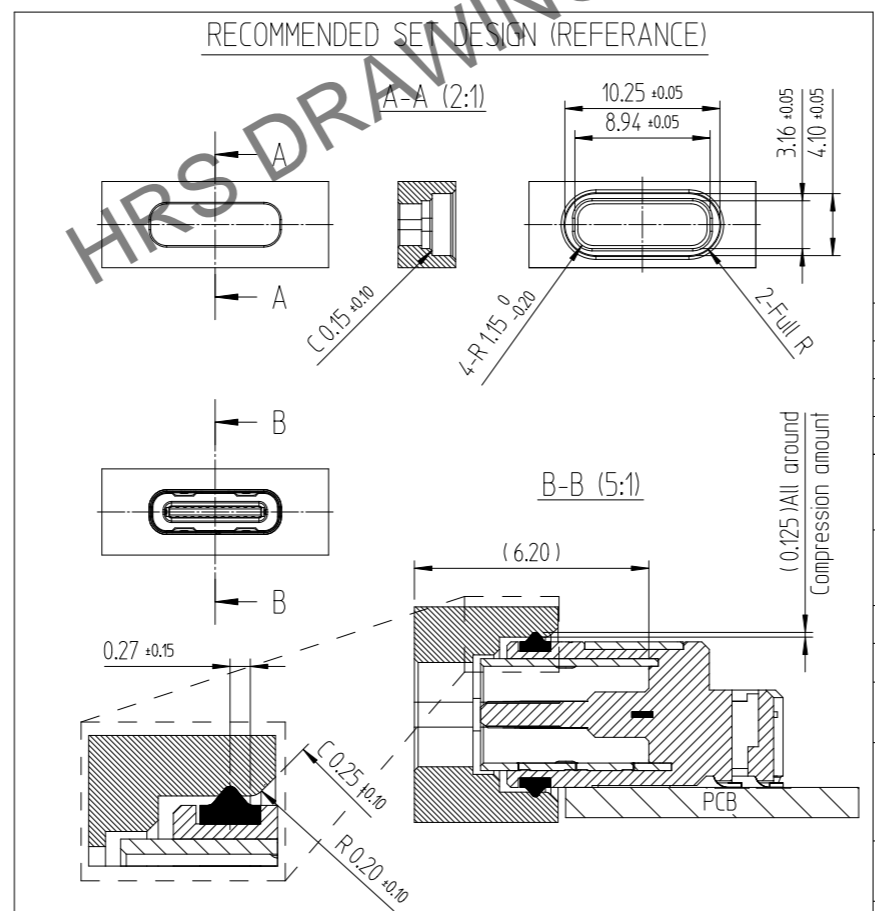
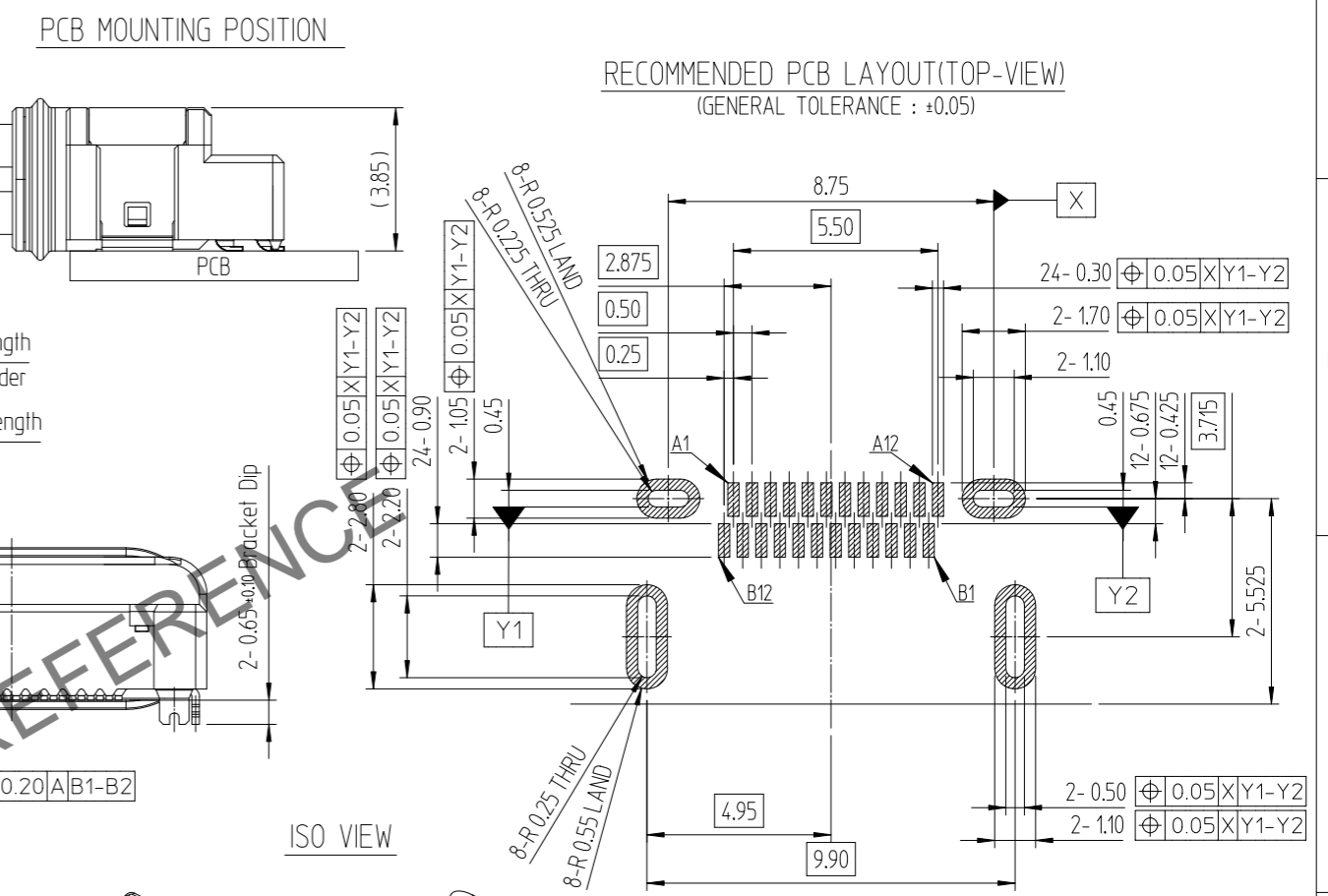


Feb.1.2025 Copyright 2025 HIROSE ELECTRIC CO., LTD. All Rights Reserved.  
In case of consideration for using Automotive equipment / device which demand high reliability, kindly contact our sales window correspondents.



△數	訂正事項	擔當	檢圖	年月日	△數	訂正事項	擔當	檢圖	年月日
COUNT	DESCRIPTION OF REVISIONS	B	CHKD	DATE	COUNT	DESCRIPTION OF REVISIONS	B	CHKD	DATE
5	1 Released(RE-2-2440)	KYG	LHJ	23, 10, 26					
6	- EC(RE-2-2477)	KYG	LHJ	23, 12, 08					
7	1 EC(RE-2-2556)	OSW	LHJ	24, 05, 01					

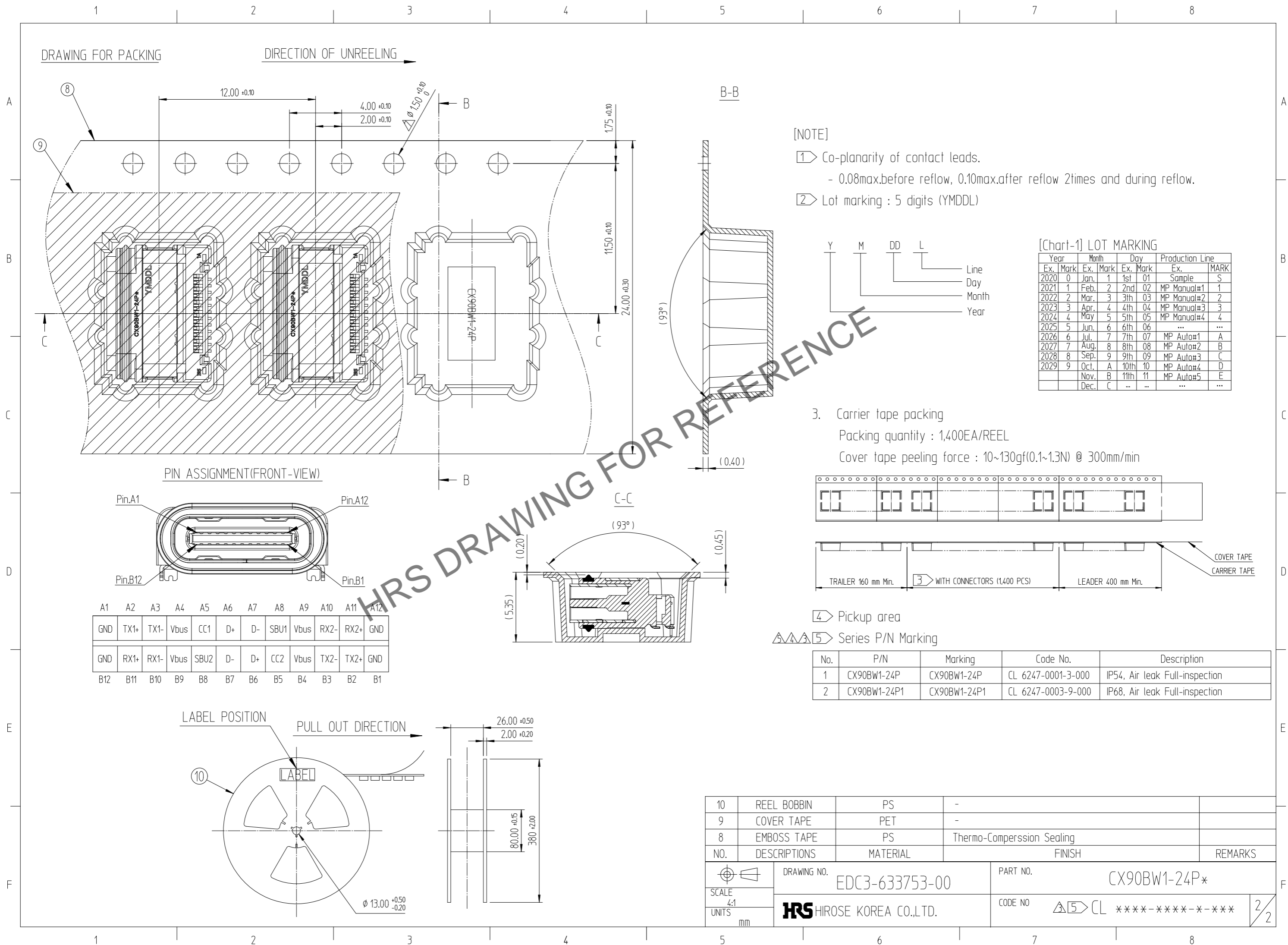


NO.	DESCRIPTIONS	MATERIAL	FINISH	REMARKS
7	GASKET	SILICONE	GRAY COLOR	-
6	BRACKET	STAINLESS STEEL	NICKEL PLATING	-
5	SHELL	STAINLESS STEEL	CLEANSING	-
4	MID PLATE	STAINLESS STEEL	NICKEL PLATING	△
3	CONTACT 2ND	COPPER ALLOY	CONTACT AREA : GOLD OVER NICKEL PLATING SOLDER AREA : GOLD OVER NICKEL PLATING THE OTHER AREA : NICKEL PLATING	-
2	CONTACT 1ST	COPPER ALLOY		
1	INSERT CASE	THERMOPLASTIC	BLACK COLOR	UL94V-0

CODE NO. (OLD)	DRAWN	DESIGNED	CHECKED	APPROVED	RELEASED
	Y.G.KIM 22.08.24	Y.G.KIM 22.08.24	H.J.LEE 22.08.24	H.J.LEE 22.08.24	ENG 24.05.01 DEPT

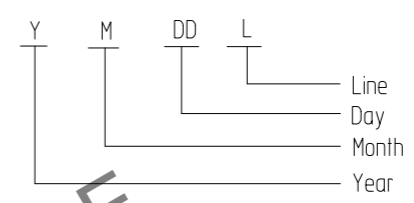
SCALE 5:1 UNITS mm	DRAWING NO. EDC3-633753-00	PART NO. CX90BW1-24P*
	HRS HIROSE KOREA CO.,LTD.	CODE NO △5 CL ****-****-****

Feb.1.2025 Copyright 2025 HIROSE ELECTRIC CO., LTD. All Rights Reserved.  
In case of consideration for using Automotive equipment / device which demand high reliability, kindly contact our sales window correspondents.



[NOTE]

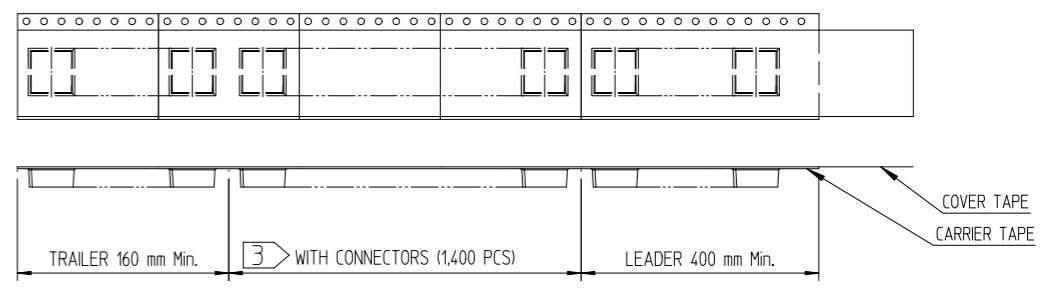
- ① Co-planarity of contact leads.  
- 0.08max.before reflow, 0.10max.after reflow 2times and during reflow.
- ② Lot marking : 5 digits (YMDDL)



[Chart-1] LOT MARKING

Year	Month	Day	Production Line	Ex. Mark	Ex. Mark	Ex. Mark	Ex. Mark	MARK
2020	0	Jan. 1	1st 01	Sample				S
2021	1	Feb. 2	2nd 02	MP Manual#1				1
2022	2	Mar. 3	3th 03	MP Manual#2				2
2023	3	Apr. 4	4th 04	MP Manual#3				3
2024	4	May 5	5th 05	MP Manual#4				4
2025	5	Jun. 6	6th 06	...				...
2026	6	Jul. 7	7th 07	MP Auto#1				A
2027	7	Aug. 8	8th 08	MP Auto#2				B
2028	8	Sep. 9	9th 09	MP Auto#3				C
2029	9	Oct. A	10th 10	MP Auto#4				D
		Nov. B	11th 11	MP Auto#5				E
		Dec. C	...	...				...

3. Carrier tape packing  
 Packing quantity : 1,400EA/REEL  
 Cover tape peeling force : 10~130gf(0.1~1.3N) @ 300mm/min

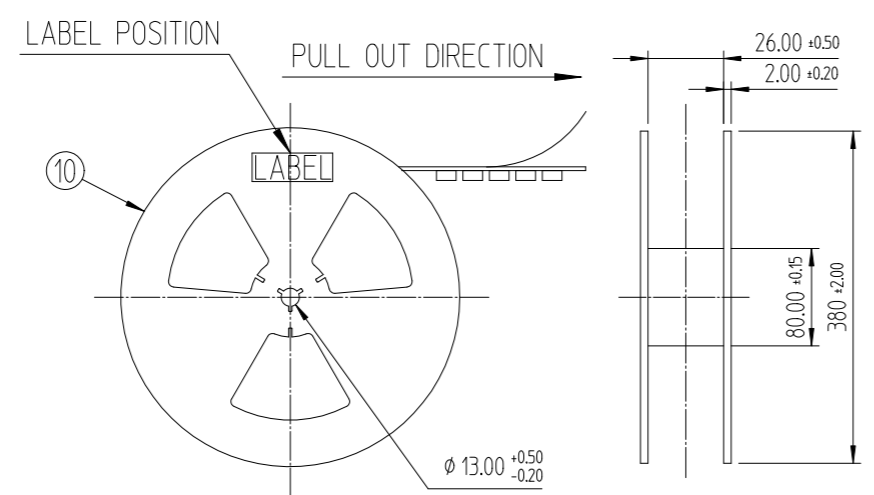


- ④ Pickup area
- ⑤ Series P/N Marking

No.	P/N	Marking	Code No.	Description
1	CX90BW1-24P	CX90BW1-24P	CL 6247-0001-3-000	IP54, Air leak Full-inspection
2	CX90BW1-24P1	CX90BW1-24P1	CL 6247-0003-9-000	IP68, Air leak Full-inspection

PIN ASSIGNMENT(FRONT-VIEW)

A1	A2	A3	A4	A5	A6	A7	A8	A9	A10	A11	A12
GND	TX1+	TX1-	Vbus	CC1	D+	D-	SBU1	Vbus	RX2-	RX2+	GND
B12	B11	B10	B9	B8	B7	B6	B5	B4	B3	B2	B1
GND	RX1+	RX1-	Vbus	SBU2	D-	D+	CC2	Vbus	TX2-	TX2+	GND



10	REEL BOBBIN	PS	-	
9	COVER TAPE	PET	-	
8	EMBOSS TAPE	PS	Thermo-Comperssion Sealing	
NO.	DESCRIPTIONS	MATERIAL	FINISH	REMARKS
DRAWING NO. EDC3-633753-00		PART NO. CX90BW1-24P*		
SCALE 4:1	HRS HIROSE KOREA CO.,LTD.		CODE NO. ⑤ CL ****-****-****	2/2