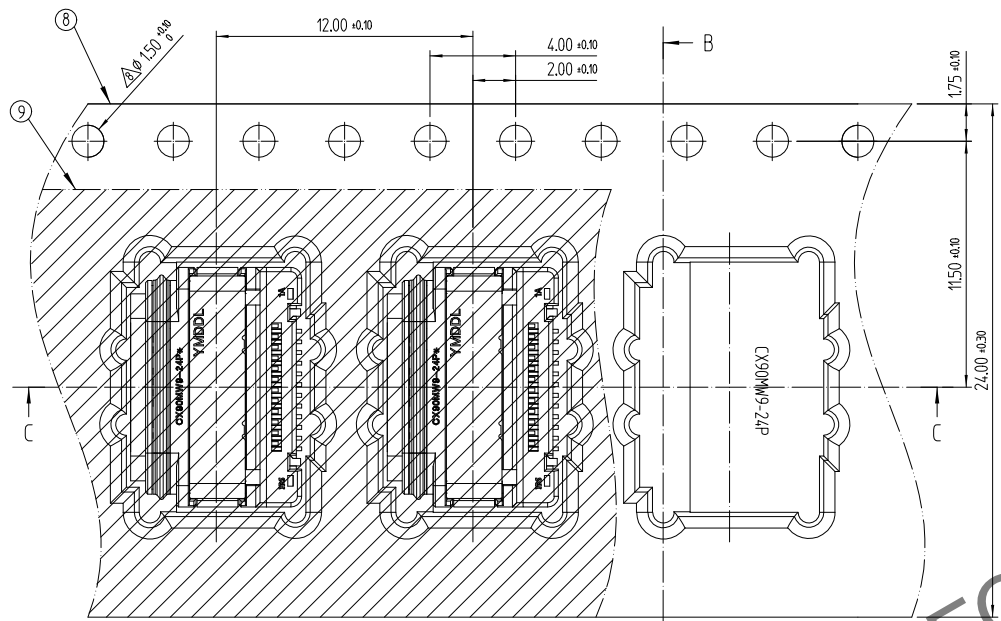
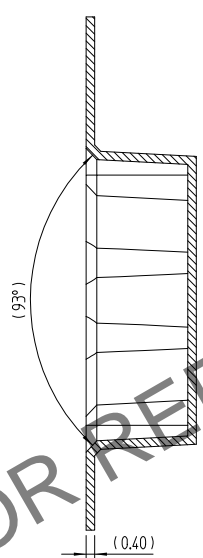


DRAWING FOR PACKING

DIRECTION OF UNREELING →

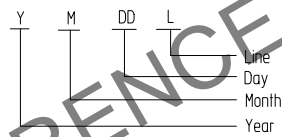


B-B



[NOTE]

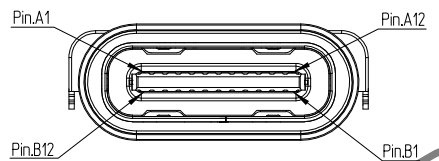
- 1 ▷ Co-planarity of contact leads.
- 0.08max.before reflow, 0.10max.after reflow 2times and during reflow.
- 2 ▷ Lot marking : 5 digits (YMDDL)



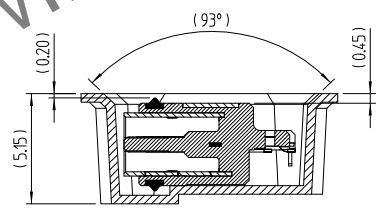
[Chart-1] LOT MARKING

Year	Month	Day	Production Line
2020	0	1	01
2021	1	2	02
2022	2	3	03
2023	3	4	04
2024	4	5	05
2025	5	6	06
2026	6	7	07
2027	7	8	08
2028	8	9	09
2029	9	10	10
	Nov.	B	11
	Dec.	C	...

PIN ASSIGNMENT(FRONT-VIEW)



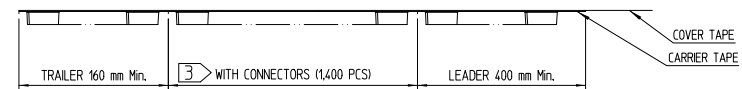
A1	A2	A3	A4	A5	A6	A7	A8	A9	A10	A11	A12
GND	TX1+	TX1-	Vbus	CC1	D+	D-	SBU1	Vbus	RX2-	RX2+	GND
GND	RX1+	RX1-	Vbus	SBU2	D-	D+	CC2	Vbus	TX2-	TX2+	GND
B12	B11	B10	B9	B8	B7	B6	B5	B4	B3	B2	B1



3. Carrier tape packing

Packing quantity : 1,400EA/REEL

Cover tape peeling force : 10~130gf(0.1~1.3N) @ 300mm/min



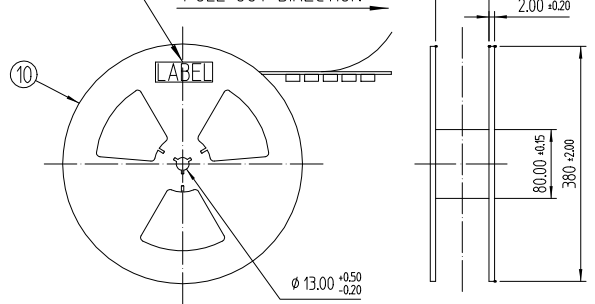
4 ▷ Pickup area

5 ▷ Series P/N Marking

No.	P/N	Marking	Code No.	Description
1	CX90MW9-24P	CX90MW9-24P	CL 6249-0010-7-000	IP54, Air leak Full-inspection
2	CX90MW9-24P1	CX90MW9-24P1	CL 6249-0012-2-000	IP68, Air leak Full-inspection

LABEL POSITION

PULL OUT DIRECTION →



10	REEL BOBBIN	PS	-	
9	COVER TAPE	PET	-	
8	EMBOSS TAPE	PS	Thermo-Comperssion Sealing	
NO.	DESCRIPTIONS	MATERIAL	FINISH	REMARKS
	DRAWING NO.	EDC3-633754-00		PART NO.
	SCALE	4:1		CX90MW9-24P*
	UNITS	mm		CODE NO
		HRS HIROSE KOREA CO.,LTD.		5 ▷ CL *****-*****-***
				2/2