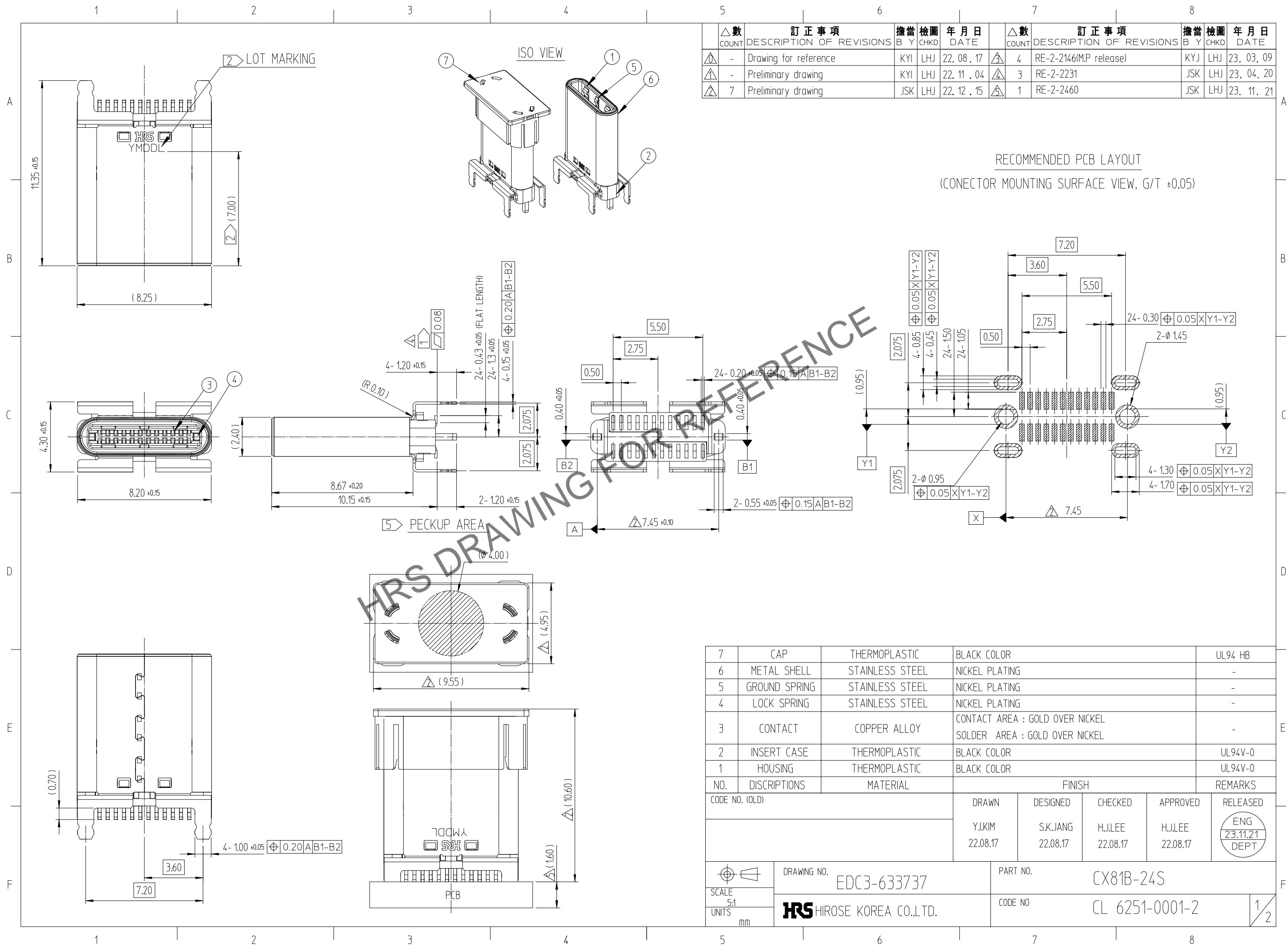


Jan.1.2025 Copyright 2025 HIROSE ELECTRIC CO., LTD. All Rights Reserved.  
 In case of consideration for using Automotive equipment / device which demand high reliability, kindly contact our sales window correspondents.

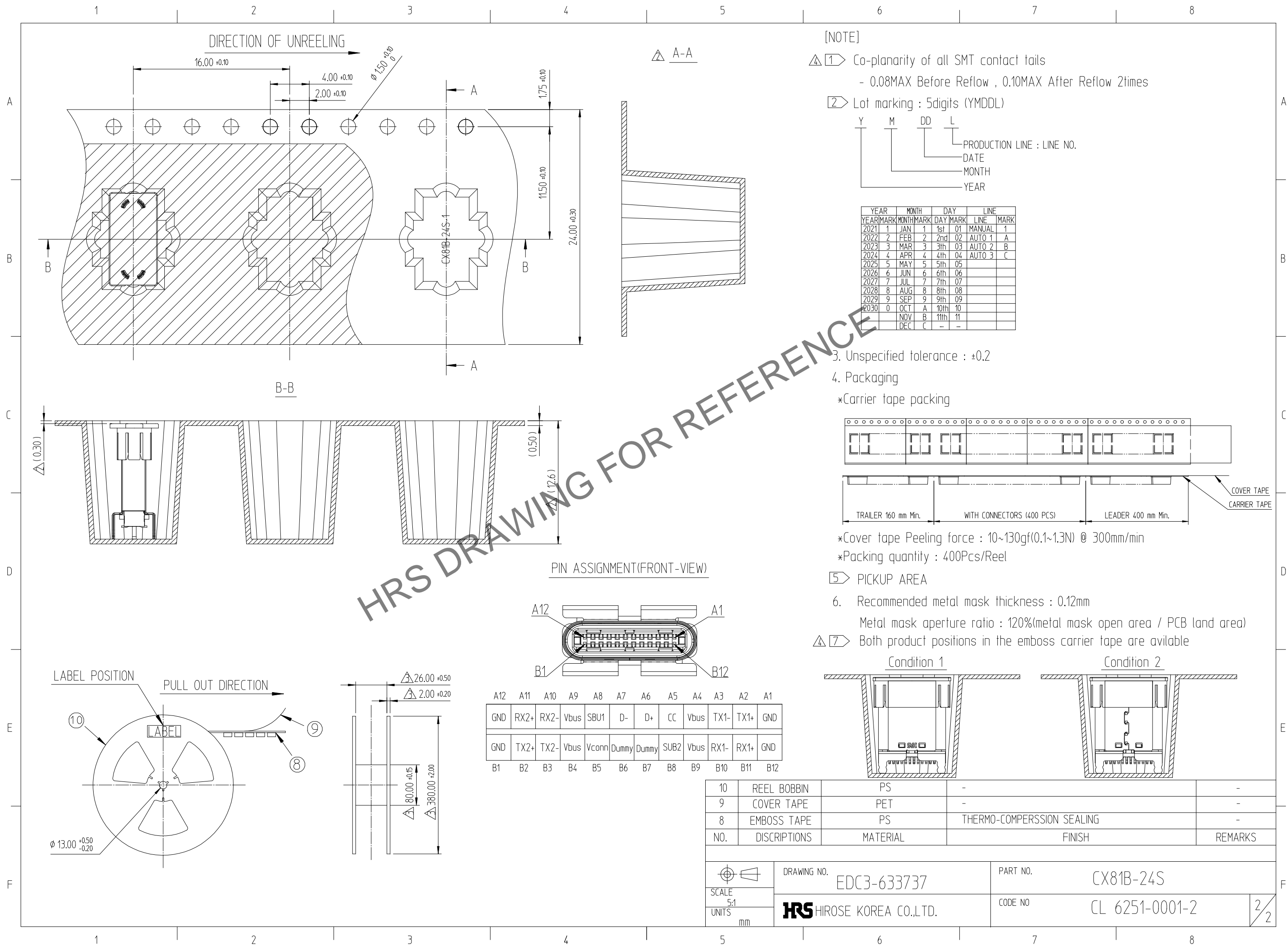


△數 COUNT	訂正事項 DESCRIPTION OF REVISIONS	擔當 B	檢圖 CHKD	年月日 DATE	△數 COUNT	訂正事項 DESCRIPTION OF REVISIONS	擔當 B	檢圖 CHKD	年月日 DATE
△	-	KYI	LHJ	22. 08 . 17	△	4	KYJ	LHJ	23. 03. 09
△	-	KYI	LHJ	22. 11 . 04	△	3	JSK	LHJ	23. 04. 20
△	7	JSK	LHJ	22. 12 . 15	△	1	JSK	LHJ	23. 11. 21

RECOMMENDED PCB LAYOUT  
 (CONNECTOR MOUNTING SURFACE VIEW, G/T ±0.05)

7	CAP	THERMOPLASTIC	BLACK COLOR	UL94 HB			
6	METAL SHELL	STAINLESS STEEL	NICKEL PLATING	-			
5	GROUND SPRING	STAINLESS STEEL	NICKEL PLATING	-			
4	LOCK SPRING	STAINLESS STEEL	NICKEL PLATING	-			
3	CONTACT	COPPER ALLOY	CONTACT AREA : GOLD OVER NICKEL SOLDER AREA : GOLD OVER NICKEL	-			
2	INSERT CASE	THERMOPLASTIC	BLACK COLOR	UL94V-0			
1	HOUSING	THERMOPLASTIC	BLACK COLOR	UL94V-0			
NO.	DISCRIPTIONS	MATERIAL	FINISH	REMARKS			
CODE NO. (OLD)			DRAWN	DESIGNED	CHECKED	APPROVED	RELEASED
			Y.I.KIM 22.08.17	S.K.JANG 22.08.17	H.J.LEE 22.08.17	H.J.LEE 22.08.17	ENG 23.11.21 DEPT
DRAWING NO. EDC3-633737			PART NO. CX81B-24S				
SCALE 5:1 UNITS mm			CODE NO CL 6251-0001-2				
HRS HIROSE KOREA CO.,LTD.			1/2				

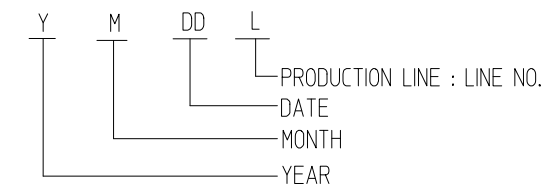
Jan.1.2025 Copyright 2025 HIROSE ELECTRIC CO., LTD. All Rights Reserved.  
In case of consideration for using Automotive equipment / device which demand high reliability, kindly contact our sales window correspondents.



[NOTE]

① Co-planarity of all SMT contact tails  
- 0.08MAX Before Reflow , 0.10MAX After Reflow 2times

② Lot marking : 5digits (YMDDL)

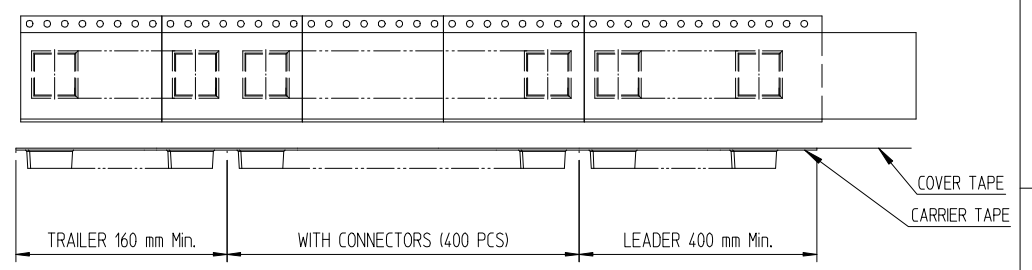


YEAR	MONTH	DAY	LINE
2021	1	JAN	1 1st 01
2022	2	FEB	2 2nd 02
2023	3	MAR	3 3th 03
2024	4	APR	4 4th 04
2025	5	MAY	5 5th 05
2026	6	JUN	6 6th 06
2027	7	JUL	7 7th 07
2028	8	AUG	8 8th 08
2029	9	SEP	9 9th 09
2030	0	OCT	A 10th 10
		NOV	B 11th 11
		DEC	C ... ..

3. Unspecified tolerance : ±0.2

4. Packaging

\*Carrier tape packing



\*Cover tape Peeling force : 10~130gf(0.1~1.3N) @ 300mm/min

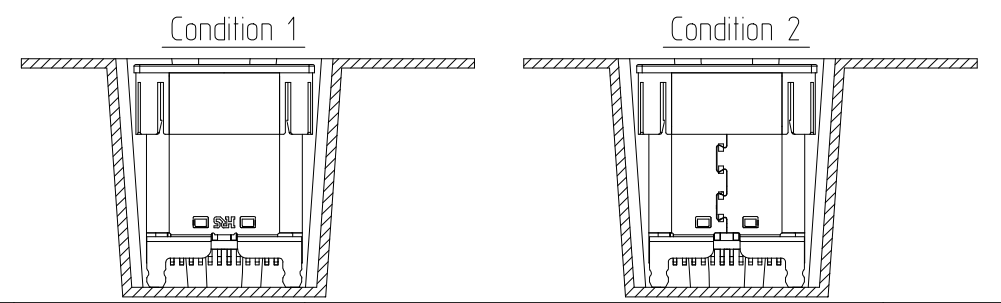
\*Packing quantity : 400Pcs/Reel

⑤ PICKUP AREA

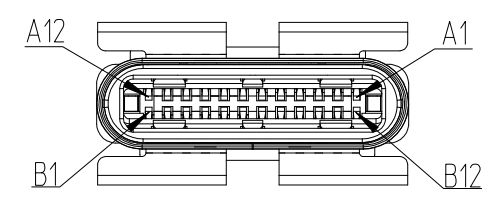
6. Recommended metal mask thickness : 0.12mm

Metal mask aperture ratio : 120%(metal mask open area / PCB land area)

⑦ Both product positions in the emboss carrier tape are available



PIN ASSIGNMENT(FRONT-VIEW)



A12	A11	A10	A9	A8	A7	A6	A5	A4	A3	A2	A1
GND	RX2+	RX2-	Vbus	SBU1	D-	D+	CC	Vbus	TX1-	TX1+	GND
B1	B2	B3	B4	B5	B6	B7	B8	B9	B10	B11	B12
GND	TX2+	TX2-	Vbus	Vconn	Dummy	Dummy	SUB2	Vbus	RX1-	RX1+	GND

NO.	DISCRIPTIONS	MATERIAL	FINISH	REMARKS
10	REEL BOBBIN	PS	-	-
9	COVER TAPE	PET	-	-
8	EMBOSS TAPE	PS	THERMO-COMPERSSION SEALING	-

SCALE 5:1 UNITS mm	DRAWING NO. EDC3-633737	PART NO. CX81B-24S
	HIROSE KOREA CO.,LTD.	CODE NO CL 6251-0001-2