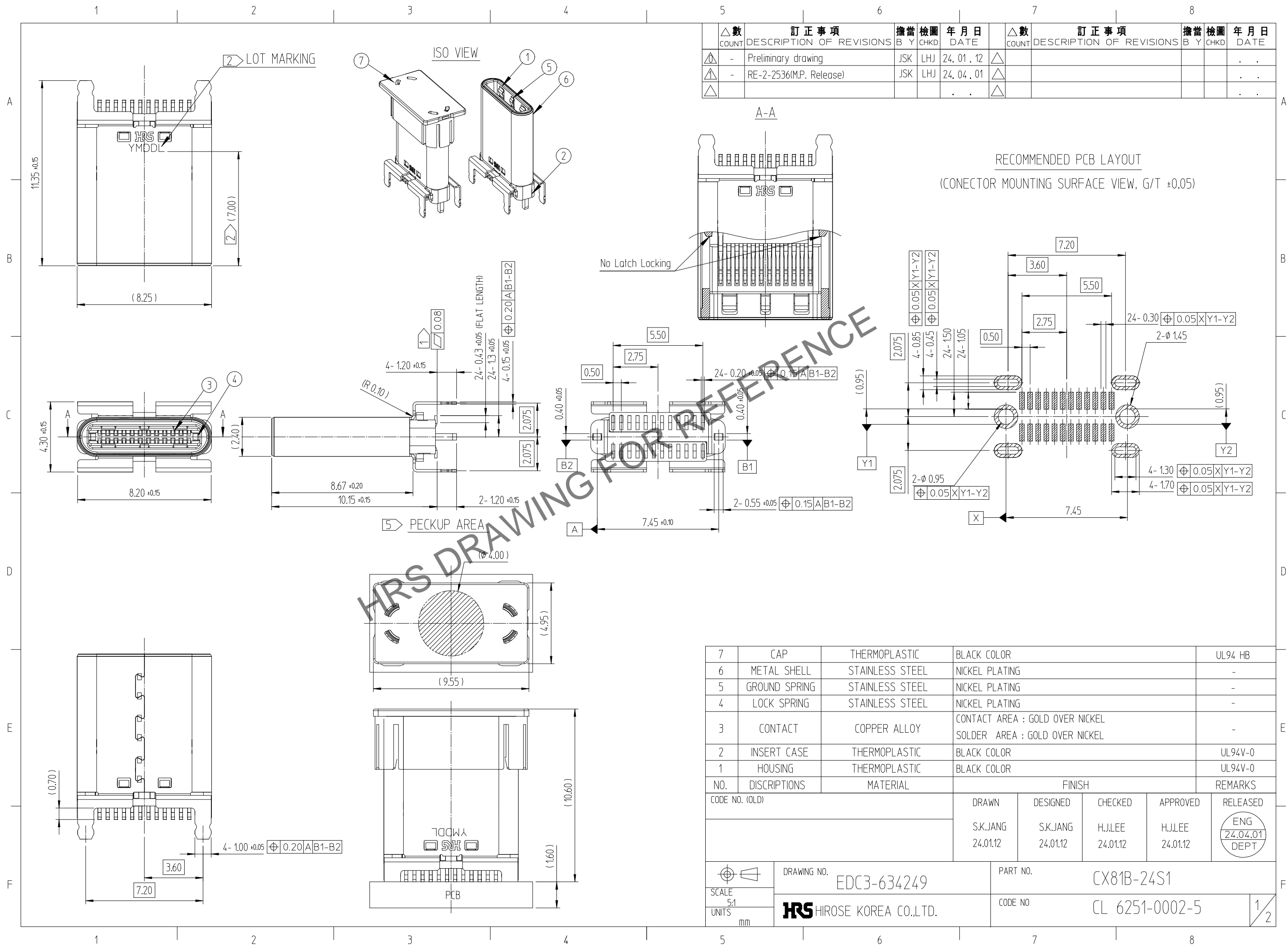


Jan.1.2025 Copyright 2025 HIROSE ELECTRIC CO., LTD. All Rights Reserved.
 In case of consideration for using Automotive equipment / device which demand high reliability, kindly contact our sales window correspondents.



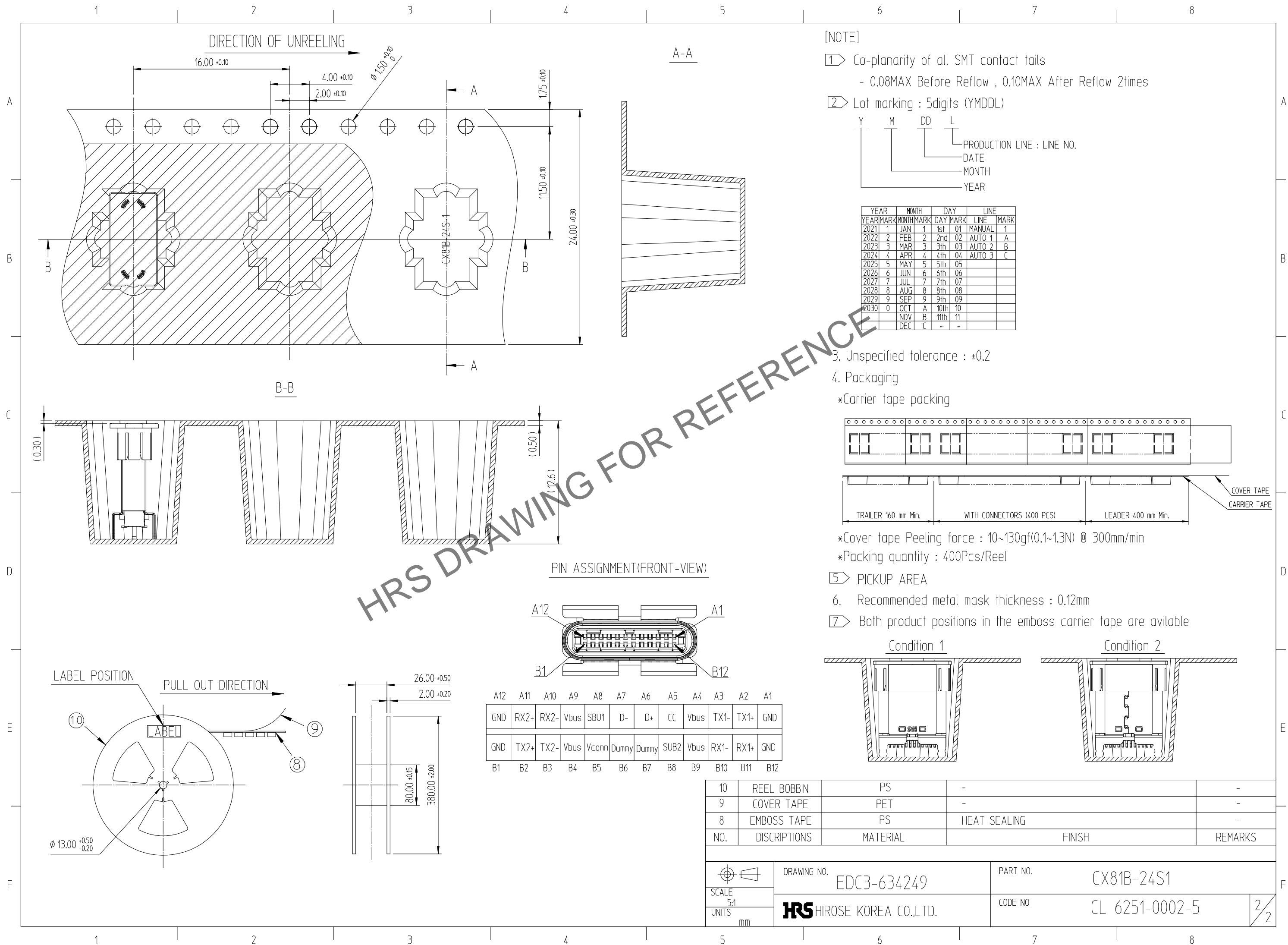
△數 COUNT	訂正事項 DESCRIPTION OF REVISIONS	擔當 B	檢圖 CHKD	年月日 DATE	△數 COUNT	訂正事項 DESCRIPTION OF REVISIONS	擔當 B	檢圖 CHKD	年月日 DATE
△	- Preliminary drawing	JSK	LHJ	24. 01 . 12	△				
△	- RE-2-2536(M.P. Release)	JSK	LHJ	24. 04 . 01	△				
△					△				

7	CAP	THERMOPLASTIC	BLACK COLOR	UL94 HB
6	METAL SHELL	STAINLESS STEEL	NICKEL PLATING	-
5	GROUND SPRING	STAINLESS STEEL	NICKEL PLATING	-
4	LOCK SPRING	STAINLESS STEEL	NICKEL PLATING	-
3	CONTACT	COPPER ALLOY	CONTACT AREA : GOLD OVER NICKEL SOLDER AREA : GOLD OVER NICKEL	-
2	INSERT CASE	THERMOPLASTIC	BLACK COLOR	UL94V-0
1	HOUSING	THERMOPLASTIC	BLACK COLOR	UL94V-0
NO.	DISCRIPTIONS	MATERIAL	FINISH	REMARKS

CODE NO. (OLD)		DRAWN	DESIGNED	CHECKED	APPROVED	RELEASED
		S.K.JANG 24.01.12	S.K.JANG 24.01.12	H.J.LEE 24.01.12	H.J.LEE 24.01.12	ENG 24.04.01 DEPT

SCALE 5:1 UNITS mm	DRAWING NO. EDC3-634249	PART NO. CX81B-24S1
	HRS HIROSE KOREA CO.,LTD.	CODE NO CL 6251-0002-5

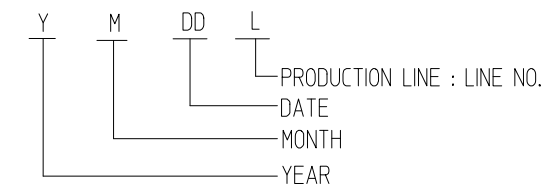
Jan. 1.2025 Copyright 2025 HIROSE ELECTRIC CO., LTD. All Rights Reserved.
In case of consideration for using Automotive equipment / device which demand high reliability, kindly contact our sales window correspondents.



[NOTE]

① Co-planarity of all SMT contact tails
- 0.08MAX Before Reflow , 0.10MAX After Reflow 2times

② Lot marking : 5digits (YMDDL)

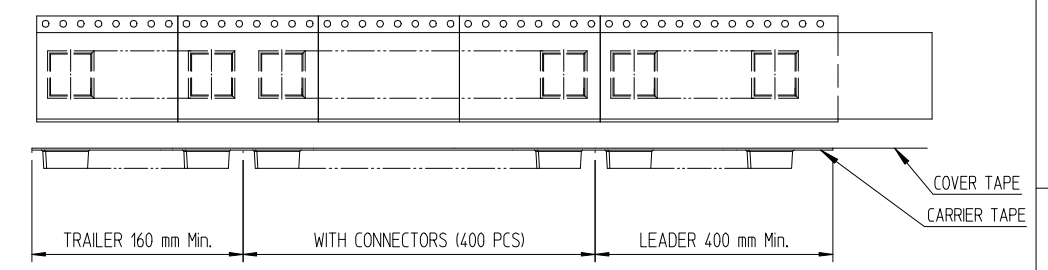


YEAR	MONTH	DAY	LINE
2021	1	JAN	1 1st 01
2022	2	FEB	2 2nd 02
2023	3	MAR	3 3th 03
2024	4	APR	4 4th 04
2025	5	MAY	5 5th 05
2026	6	JUN	6 6th 06
2027	7	JUL	7 7th 07
2028	8	AUG	8 8th 08
2029	9	SEP	9 9th 09
2030	0	OCT	A 10th 10
		NOV	B 11th 11
		DEC	C

3. Unspecified tolerance : ±0.2

4. Packaging

*Carrier tape packing



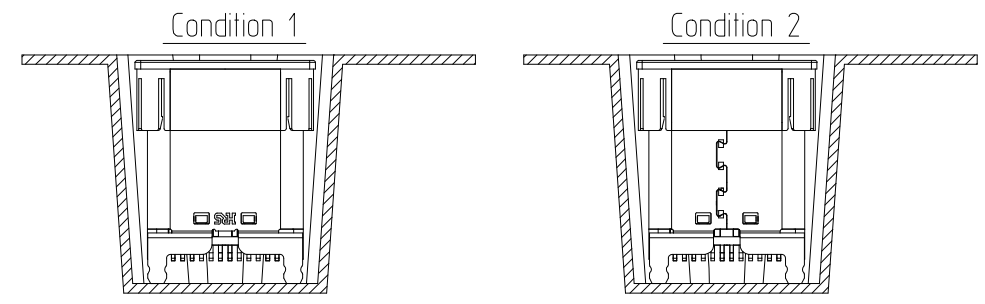
*Cover tape Peeling force : 10~130gf(0.1~1.3N) @ 300mm/min

*Packing quantity : 400Pcs/Reel

⑤ PICKUP AREA

6. Recommended metal mask thickness : 0.12mm

⑦ Both product positions in the emboss carrier tape are available



NO.	DISCRIPTIONS	MATERIAL	FINISH	REMARKS
10	REEL BOBBIN	PS	-	-
9	COVER TAPE	PET	-	-
8	EMBOSS TAPE	PS	HEAT SEALING	-

SCALE 5:1 UNITS mm	DRAWING NO. EDC3-634249	PART NO. CX81B-24S1
	HIROSE KOREA CO.,LTD.	CODE NO CL 6251-0002-5