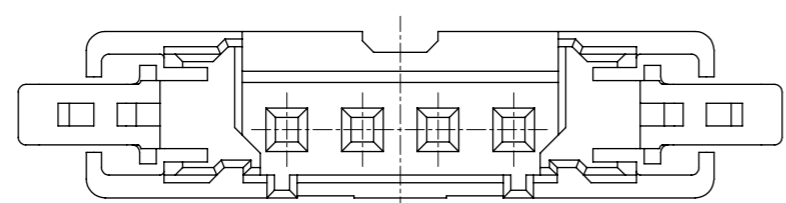
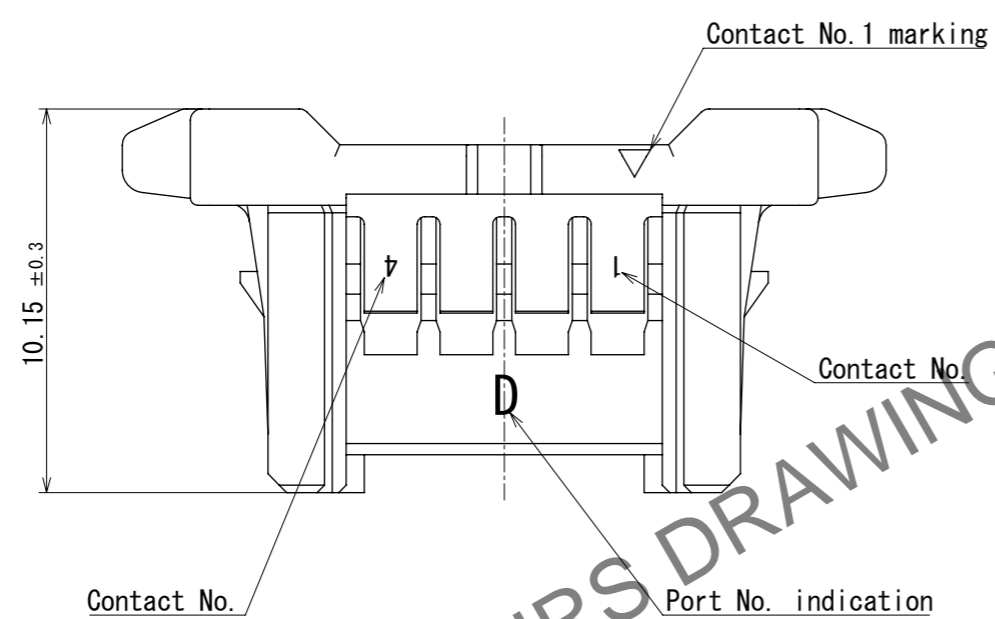
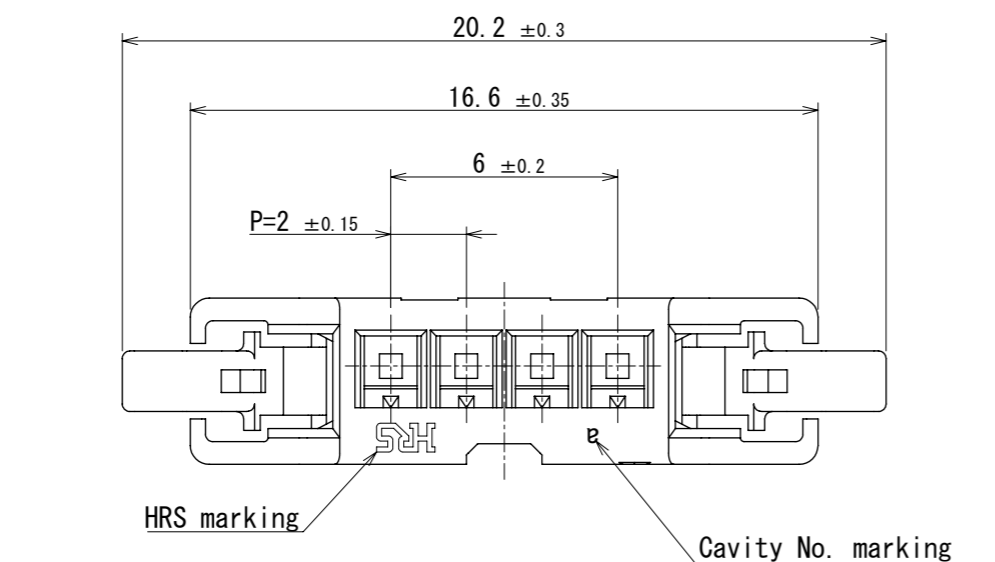




Feb.1.2025 Copyright 2025 HIROSE ELECTRIC CO., LTD. All Rights Reserved.
In case of consideration for using Automotive equipment / device which demand high reliability, kindly contact our sales window correspondents.



HRS DRAWING FOR REFERENCE

- 注 1. 100 pieces per pack
 2. Refer to these manuals for handling this connector.
 Cable assembly : ATAD-H0923-00
 Mating and unmating operation : ATAD-H0847-00
 3. There may be slight scratches or dents on the appearance, but this does not affect the function.
 4. UL (File No.E52653)
 C-UL (File No.E52653) authorization article

 △ 5. Please refer to the technical specification (ATAP-H0957-00) for the packing type.

NO.		MATERIAL		FINISH , REMARKS		NO.		MATERIAL		FINISH , REMARKS	
		1		PBT				UL94V-0, BLACK			
UNITS		SCALE		COUNT		DESCRIPTION OF REVISIONS		DESIGNED		CHECKED	
mm		5:1		1		DIS-H-00021641		SN. MIWA		TT. OHSAKO	
 HIROSE ELECTRIC CO., LTD.		APPROVED : SJ. OKAMURA		2024. 10. 01		DRAWING NO.		EDC-405320-00-00			
		CHECKED : TT. OHSAKO		2024. 10. 01		PART NO.		DF51BD-4S-2C			
		DESIGNED : SN. MIWA		2024. 10. 01		CODE NO.		CL0543-5142-0-00			
		DRAWN : SK. CHIBA		2024. 10. 01							