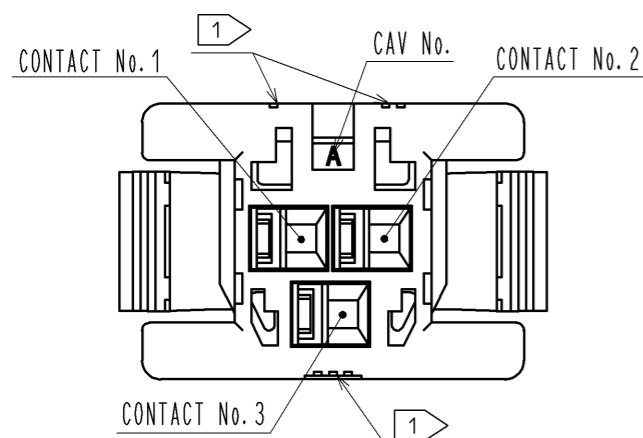
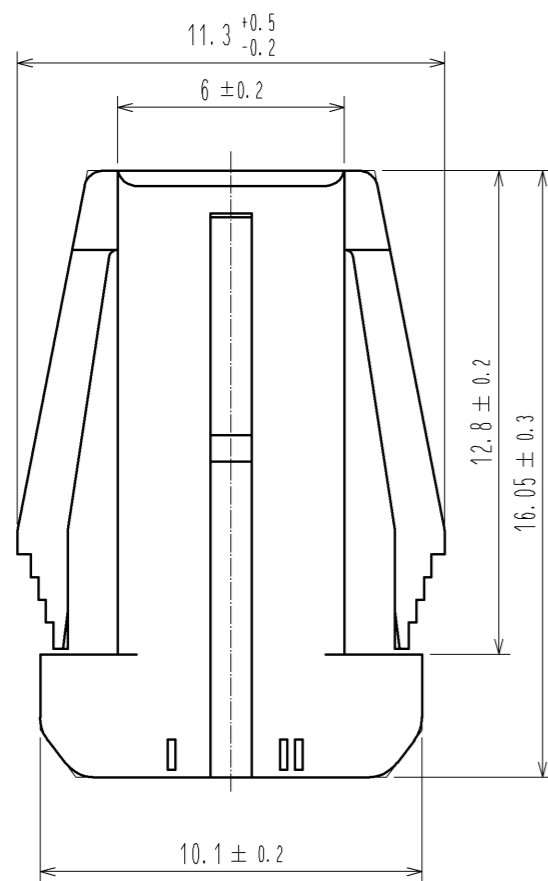
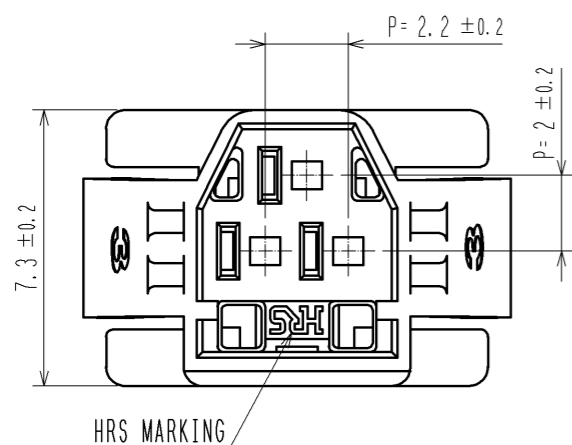
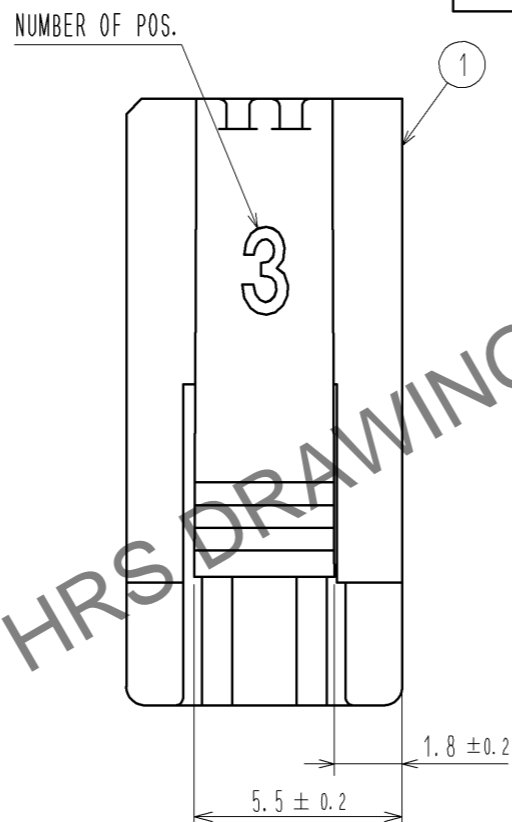
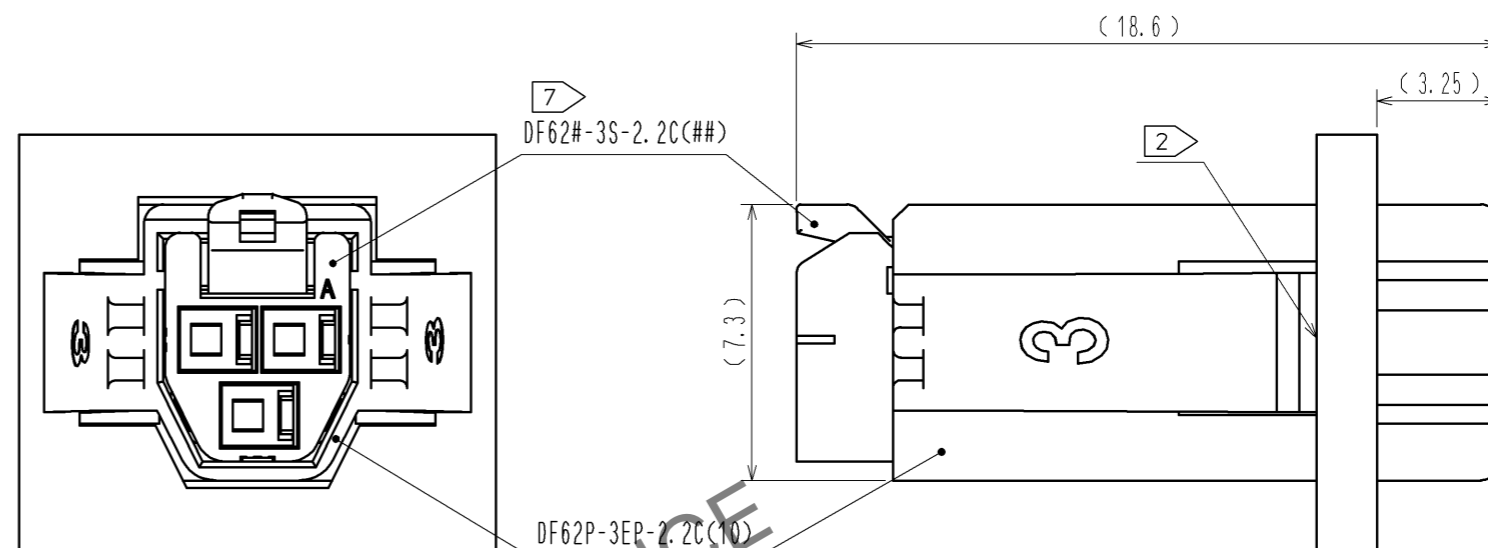


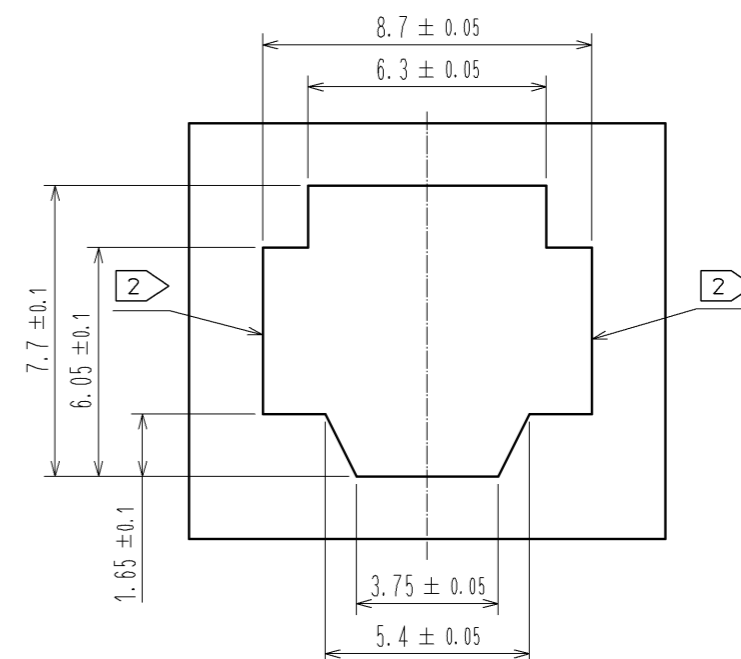
Apr.1.2025 Copyright 2025 HIROSE ELECTRIC CO., LTD. All Rights Reserved.
In case of consideration for using Automotive equipment / device which demand high reliability, kindly contact our sales window correspondents.



7 MATING FIGURE (PANEL MOUNTED)

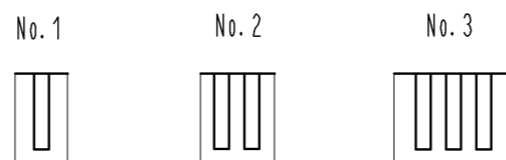


3 4 RECOMMENDED PANEL CUTOUT DIMENSION



- NOTE. 1 MARKINGS AT THE INDICATED POSITIONS ARE CONTACT NO. MARKING. AND SHAPES ARE SHOWN IN FIGURE-1.
 2 PLEASE USE THE NON-RADIUS SIDE FOR THE PANEL HOOKING AREA.
 3 APPLICABLE PANEL THICKNESSING IS 2.3 TO 0.5mm.
 4 CONSULT HIROSE FOR THE OTHER PANEL CUTOUT DESIGNS THAN THE RECOMMENDED ONE.
 5. PER PACK : 100 PIECES.
 6. THE DIMENSIONS IN PARENTHESIS ARE FOR REFERENCE.
 7 THIS FIGURE SHOWS THE MATED CONDITION WITH DF62B-3S-2.2C.

1 FIGURE-1 CONTACT No. MARKING (10:1)



NO.	MATERIAL	FINISH . REMARKS	NO.	MATERIAL	FINISH . REMARKS
			1	PBT	UL94V-0(WHITE)
UNITS mm		SCALE 5 : 1	DESCRIPTION OF REVISIONS		
			DESIGNED	CHECKED	DATE
HRS	HIROSE ELECTRIC CO., LTD.	APPROVED : KI. AKIYAMA	14. 03. 10	DRAWING NO. EDC3-349136-01	
		CHECED : HK. UMEHARA	14. 03. 10	PART NO. DF62P-3EP-2. 2C(10)	
		DESIGNED : TS. KUMAZAWA	14. 03. 07	CODE NO. CL544-0544-4-10	
		DRAWN : TS. KUMAZAWA	14. 03. 07	1/1	