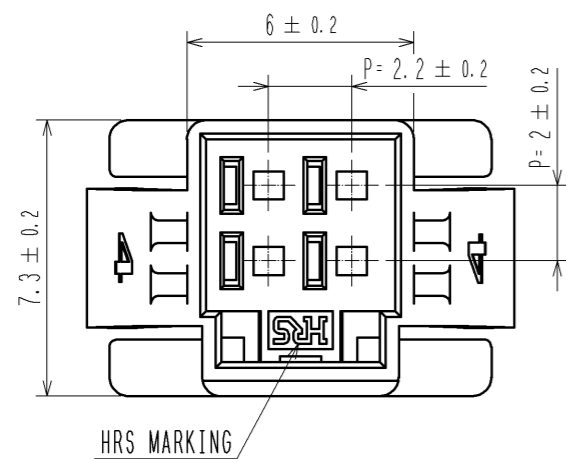
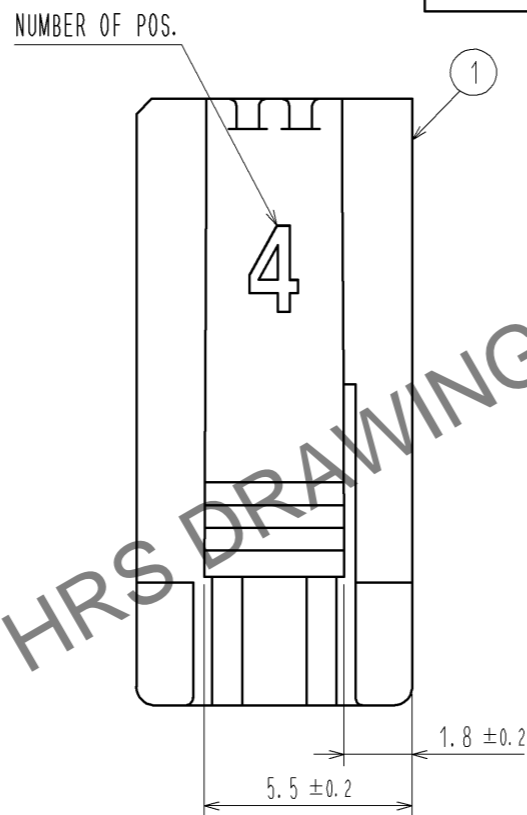
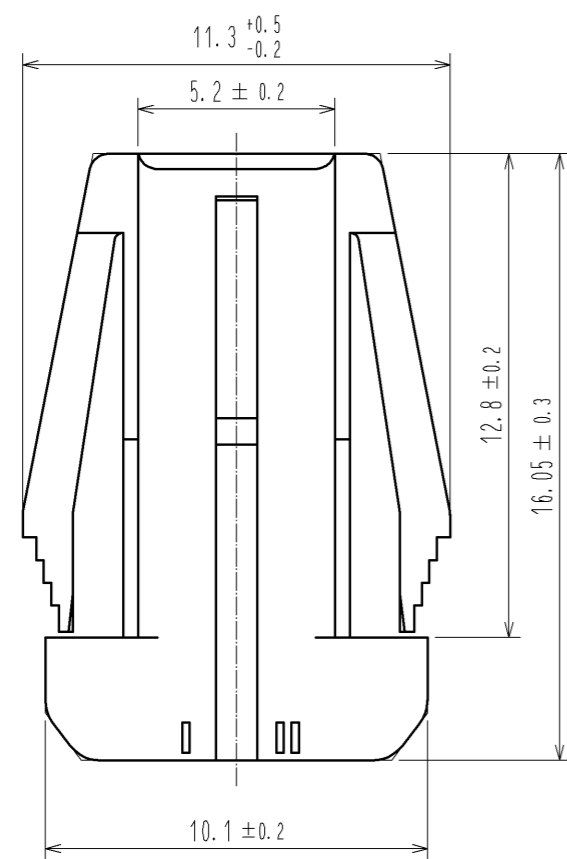
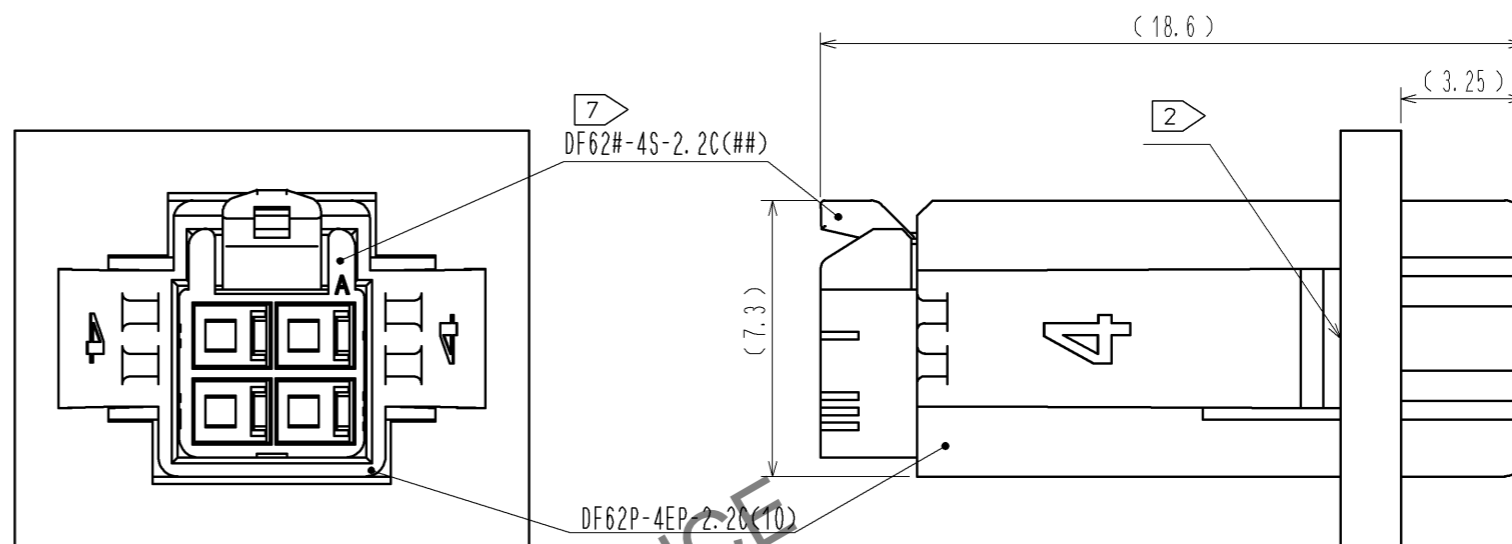


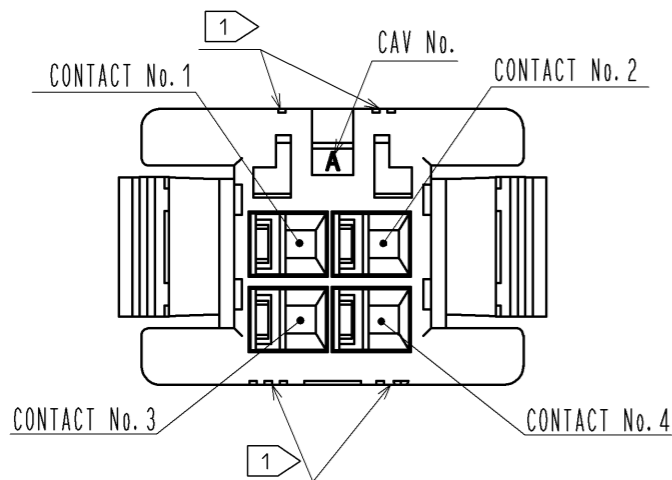
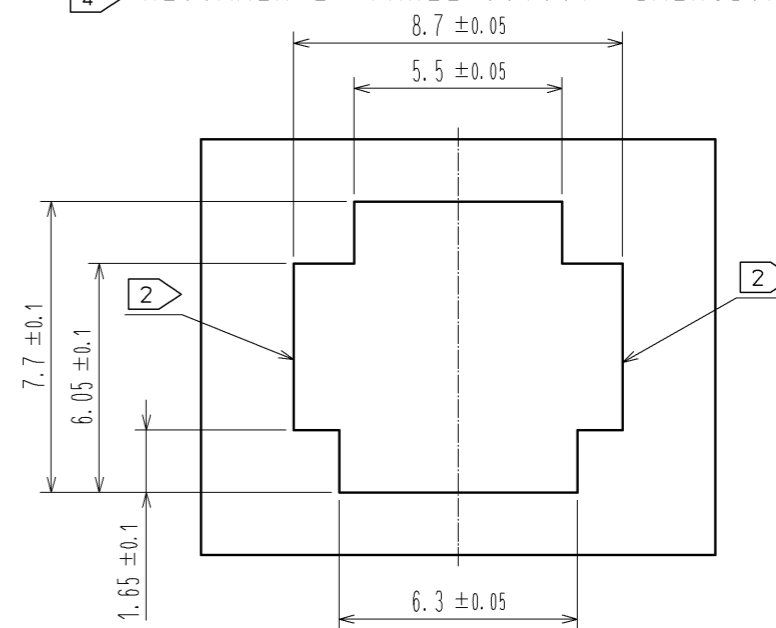
Apr.1.2025 Copyright 2025 HIROSE ELECTRIC CO., LTD. All Rights Reserved.  
In case of consideration for using Automotive equipment / device which demand high reliability, kindly contact our sales window correspondents.



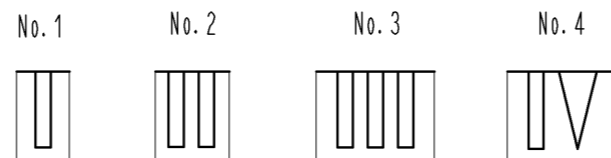
7 MATING FIGURE ( PANEL MOUNTED )



3 4 RECOMMENDED PANEL CUTOUT DIMENSION



1 FIGURE-1 CONTACT No. MARKING (10:1)



- NOTE. 1 MARKINGS AT THE INDICATED POSITIONS ARE CONTACT NO. MARKING. AND SHAPES ARE SHOWN IN FIGURE-1.  
 2 PLEASE USE THE NON-RADIUS SIDE FOR THE PANEL HOOKING AREA.  
 3 APPLICABLE PANEL THICKNESS IS 2.3 TO 0.5mm.  
 4 CONSULT HIROSE FOR THE OTHER PANEL CUTOUT DESIGNS THAN THE RECOMMENDED ONE.  
 5. PER PACK : 100 PIECES.  
 6. THE DIMENSIONS IN PARENTHESIS ARE FOR REFERENCE.  
 7 THIS FIGURE SHOWS THE MATED CONDITION WITH DF62B-4S-2-2C.

| NO.                     | MATERIAL | FINISH . REMARKS | 1        | PBT         | UL94V-0(WHITE)           |                    |         |      |
|-------------------------|----------|------------------|----------|-------------|--------------------------|--------------------|---------|------|
| UNITS                   | mm       | SCALE            | 5 : 1    | COUNT       | DESCRIPTION OF REVISIONS | DESIGNED           | CHECKED | DATE |
| APPROVED : KI. AKIYAMA  |          |                  | 14.03.10 | DRAWING NO. |                          | EDC3-349137-01     |         |      |
| CHECKED : HK. UMEHARA   |          |                  | 14.03.10 | PART NO.    |                          | DF62P-4EP-2-2C(10) |         |      |
| DESIGNED : TS. KUMAZAWA |          |                  | 14.03.07 | CODE NO.    |                          | CL544-0545-7-10    |         |      |
| DRAWN : TS. KUMAZAWA    |          |                  | 14.03.07 |             |                          | 1/1                |         |      |