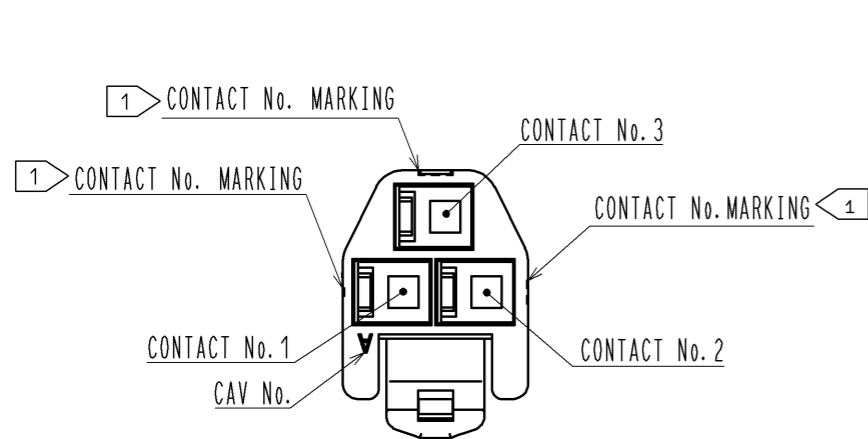
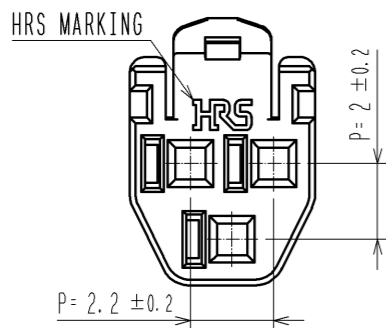
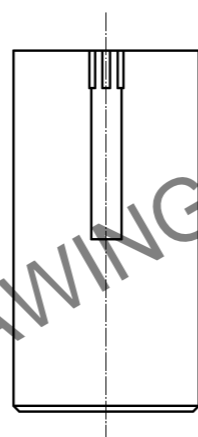
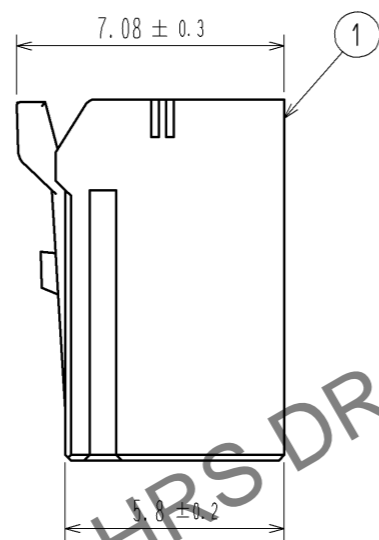
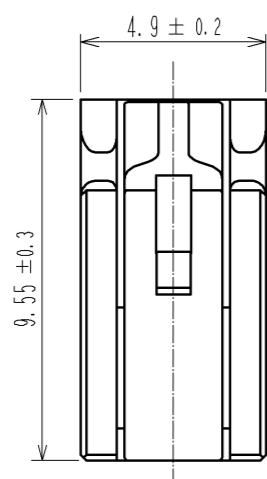
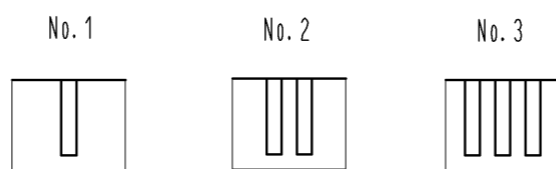


Apr.1.2025 Copyright 2025 HIROSE ELECTRIC CO., LTD. All Rights Reserved.
 In case of consideration for using Automotive equipment / device which demand high reliability, kindly contact our sales window correspondents.

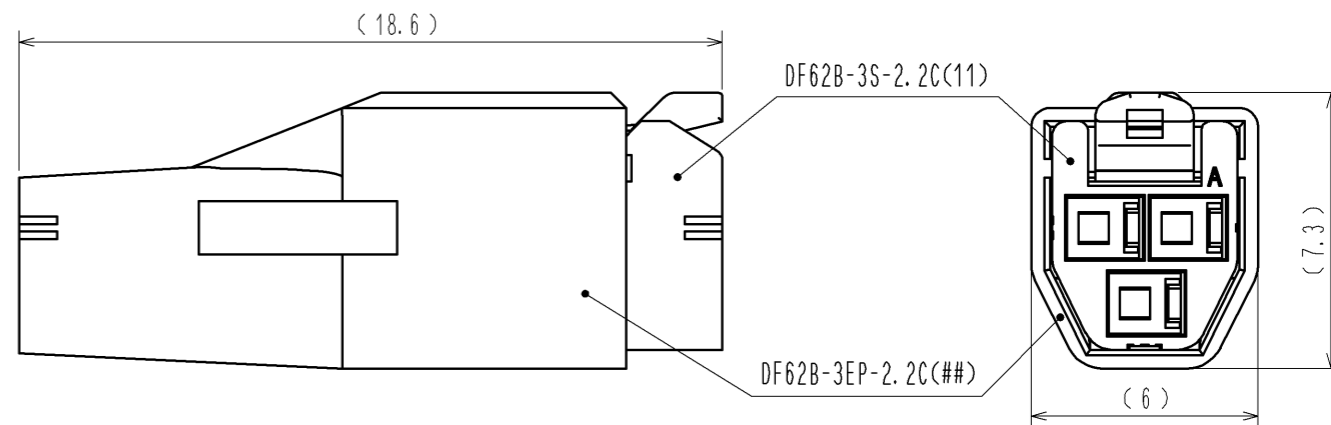


① FIGURE-1 CONTACT No. MARKING (10:1)



HRS DRAWING FOR REFERENCE

MATING FIGURE



- NOTE. ① MARKINGS AT THE INDICATED POSITIONS IS CONTACT NO. MARKING. AND SHAPES ARE SHOWN IN FIGURE-1.
 2. PER PACK : 100 PIECES.
 3. THE DIMENSIONS IN PARENTHESIS ARE FOR REFERENCE.

NO.	MATERIAL	FINISH . REMARKS	NO.	MATERIAL	FINISH . REMARKS
			1	PBT	UL94V-0<BLACK>
UNITS mm		SCALE 5 : 1	COUNT		DESCRIPTION OF REVISIONS
HIROSE ELECTRIC CO., LTD.			APPROVED : KI. AKIYAMA	13. 09. 11	DRAWING NO.
			CHECED : OM. MIYAMOTO	13. 09. 11	PART NO.
			DESIGNED : TH. YOSHIZAWA	13. 09. 11	CODE NO.
			DRAWN : MI. SAKIMURA	13. 09. 06	
					EDC3-351956-01
					DF62B-3S-2.2C(11)
					CL544-0552-2-11