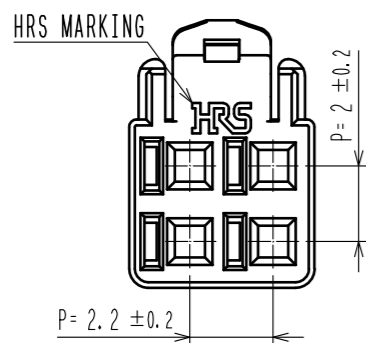
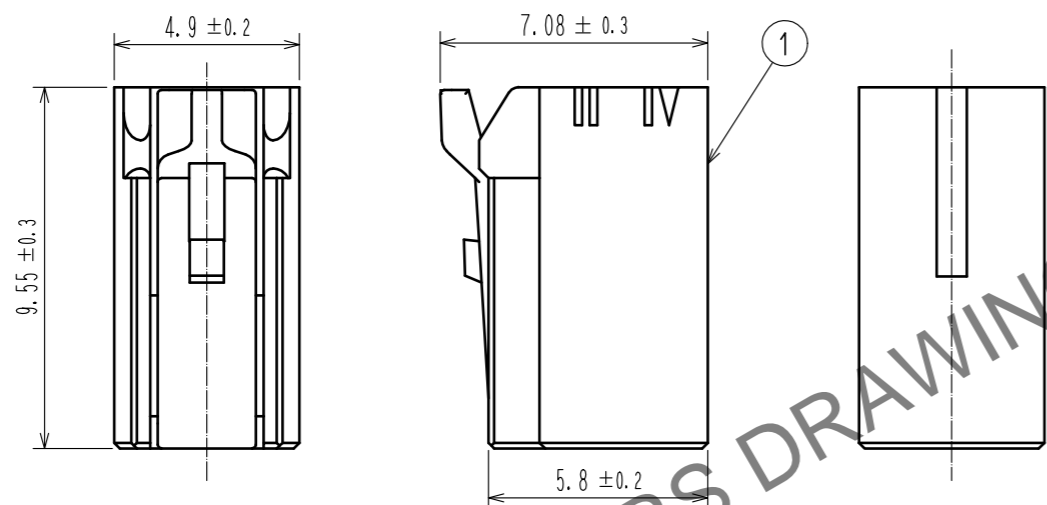
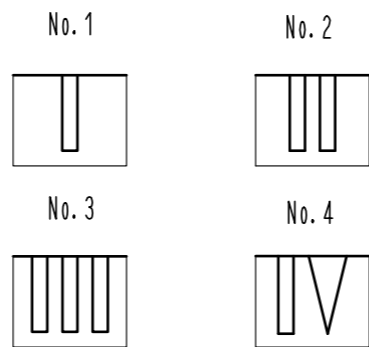
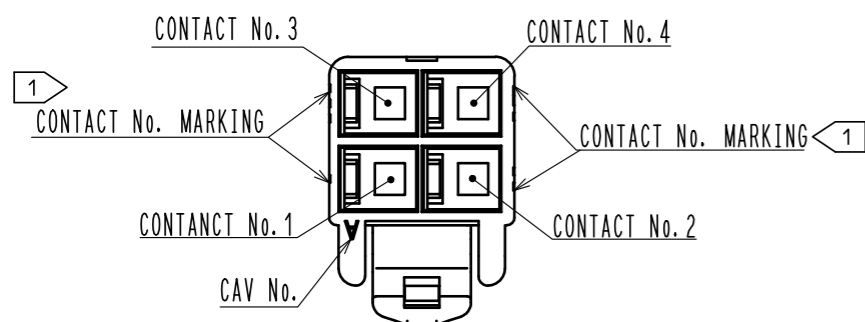


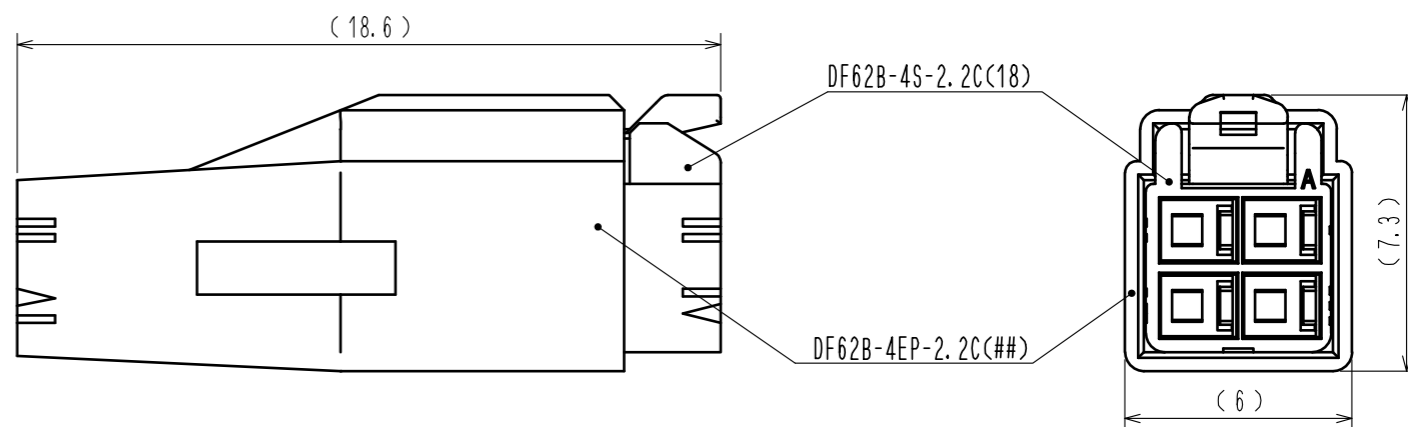
Mar.1.2025 Copyright 2025 HIROSE ELECTRIC CO., LTD. All Rights Reserved.
In case of consideration for using Automotive equipment / device which demand high reliability, kindly contact our sales window correspondents.

1> FIGURE-1 CONTACT No. MARKING (10:1)



HRS DRAWING FOR REFERENCE

MATING FIGURE



- NOTE. 1> MARKINGS AT THE INDICATED POSITIONS ARE CONTACT NO. MARKING. AND SHAPES ARE SHOWN IN FIGURE-1.
2. PER PACK : 100 PIECES.
3. THE DIMENSIONS IN PARENTHESIS ARE FOR REFERENCE.

NO.		MATERIAL		FINISH . REMARKS		1	PBT	UL94V-0 (RED)	
UNITS mm		SCALE 5 : 1		COUNT		DESCRIPTION OF REVISIONS		DESIGNED	CHECKED
HIROSE ELECTRIC CO., LTD.		APPROVED : KI. AKIYAMA		16.03.25		DRAWING NO.		EDC-351957-18-00	
		CHECKED : TS. FUKUSHIMA		16.03.25		PART NO.		DF62B-4S-2.2C(18)	
		DESIGNED : TS. KUMAZAWA		16.03.25		CODE NO.		CL544-0553-5-18	
		DRAWN : TS. KUMAZAWA		16.03.25					