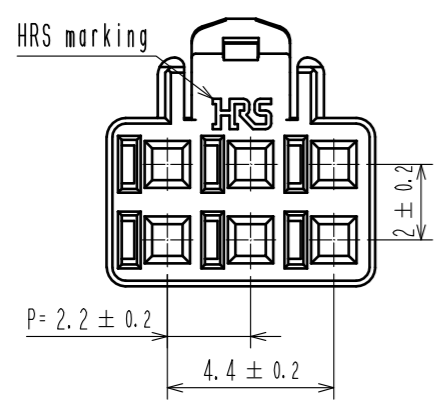
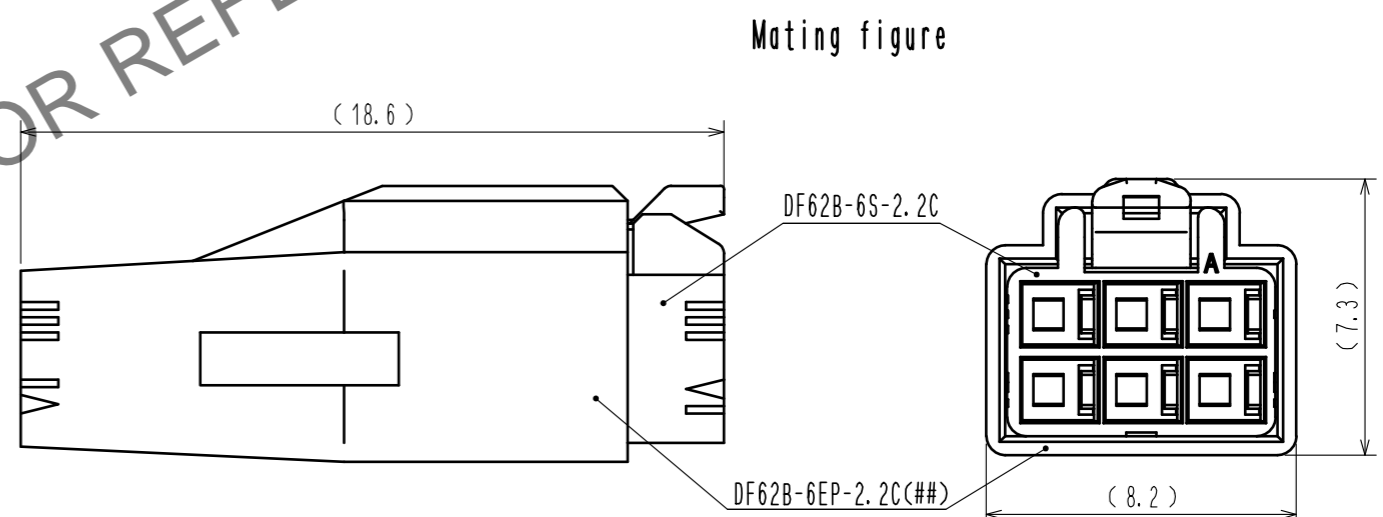
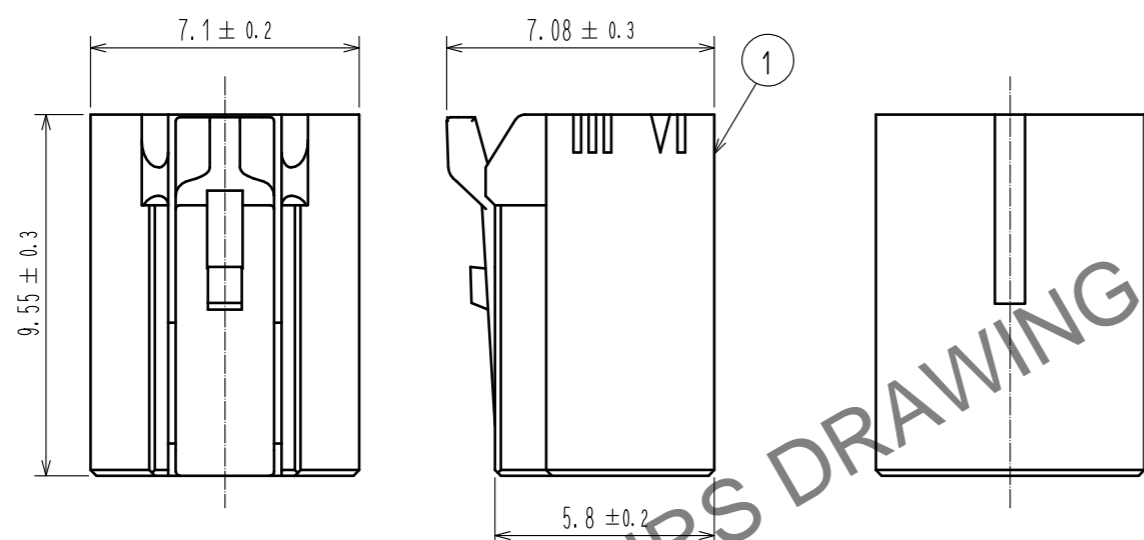
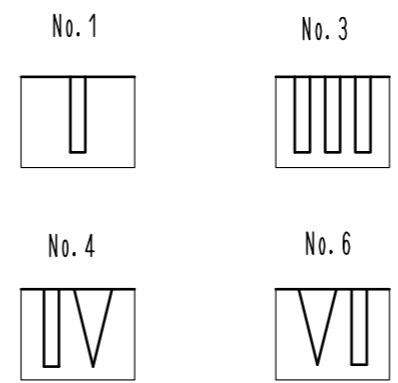
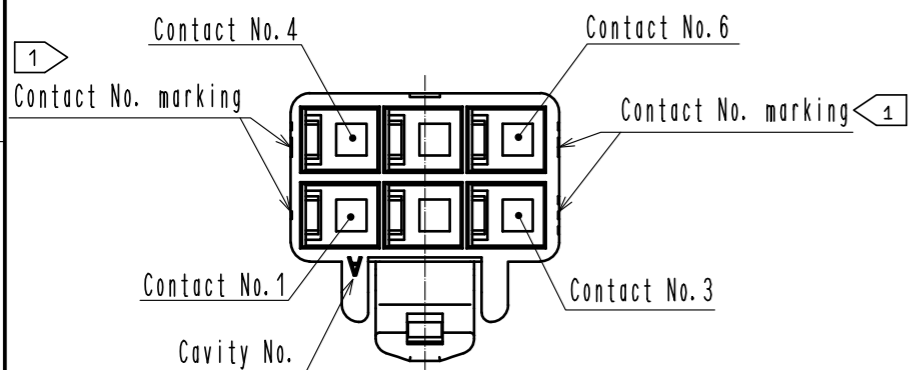


Mar.1.2025 Copyright 2025 HIROSE ELECTRIC CO., LTD. All Rights Reserved.
 In case of consideration for using Automotive equipment / device which demand high reliability, kindly contact our sales window correspondents.

Figure-1 contact No. marking (10:1)



NOTE. 1. Marking at the indicated positions are contact No. marking and shapes are shown in figure-1.
 2. Per pack : 100 pieces.
 3. The dimensions in parenthesis are for reference.

NO.		MATERIAL		FINISH . REMARKS		1	PBT	UL94V-0 (RED)		
UNITS mm		SCALE 5 : 1		COUNT		DESCRIPTION OF REVISIONS		DESIGNED	CHECKED	DATE
HIROSE ELECTRIC CO., LTD.		APPROVED : HS. OKAWA		16.07.05		DRAWING NO.		EDC-351960-18-00		
		CHECKED : TS. FUKUSHIMA		16.07.05		PART NO.		DF62B-6S-2.2C(18)		
		DESIGNED : YK. YAMAGUCHI		16.07.05		CODE NO.		CL544-0555-0-18		
		DRAWN : YK. YAMAGUCHI		16.07.05						