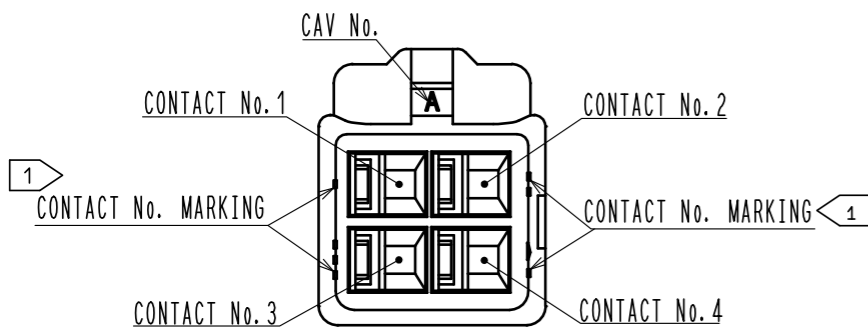
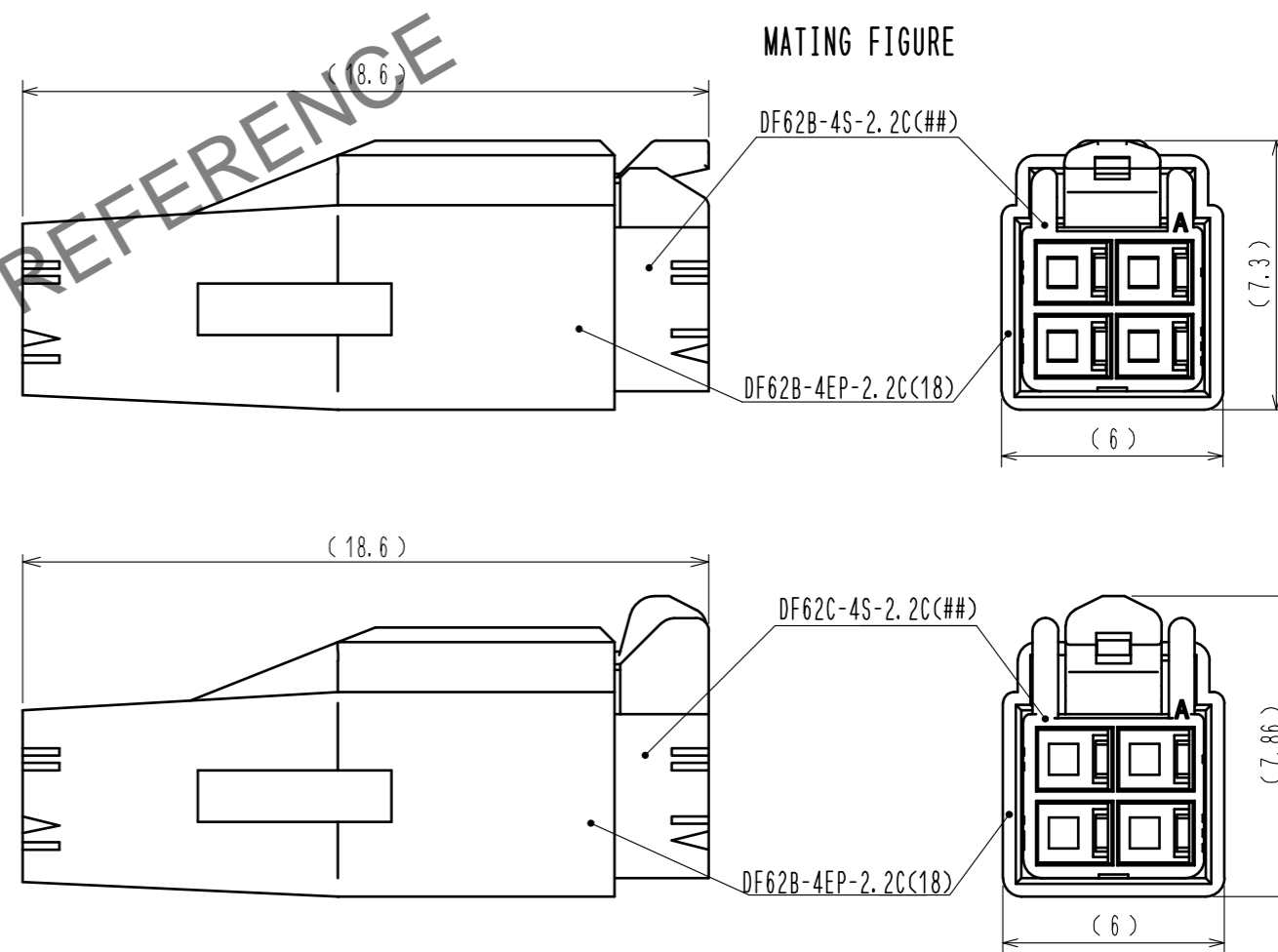
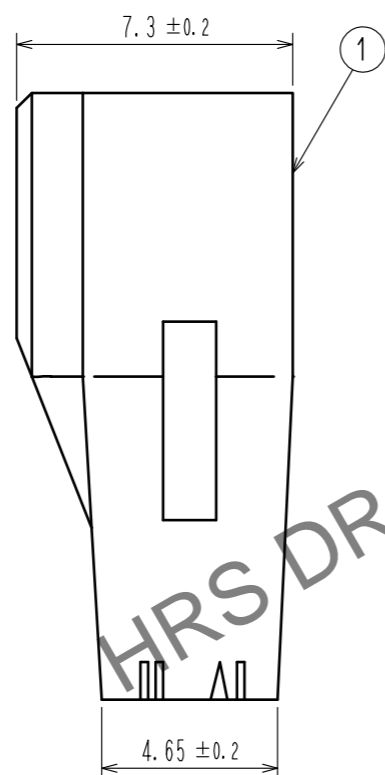
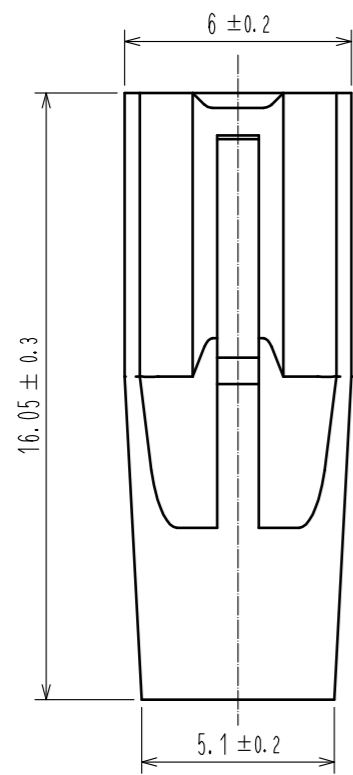
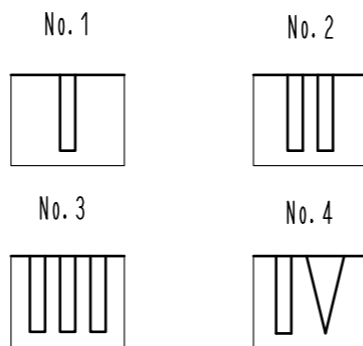
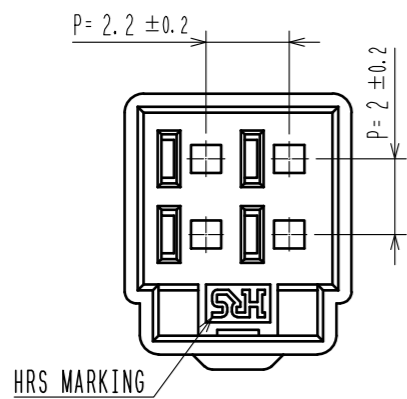


Mar.1.2025 Copyright 2025 HIROSE ELECTRIC CO., LTD. All Rights Reserved.
In case of consideration for using Automotive equipment / device which demand high reliability, kindly contact our sales window correspondents.

1 FIGURE-1 CONTACT No. MARKING (10:1)



NOTE. 1. MARKINGS AT THE INDICATED POSITIONS ARE CONTACT NO. MARKING. AND SHAPES ARE SHOWN IN FIGURE-1.
2. PER PACK : 100 PIECES.
3. THE DIMENSIONS IN PARENTHESIS ARE FOR REFERENCE.

NO.	MATERIAL	FINISH . REMARKS	NO.	MATERIAL	FINISH . REMARKS
			1	PBT	UL94V-0 (RED)
UNITS	mm	SCALE	5 : 1	COUNT	DESCRIPTION OF REVISIONS
		APPROVED	: KI. AKIYAMA	16.03.25	DRAWING NO.
		CHECKED	: TS. FUKUSHIMA	16.03.25	PART NO.
		DESIGNED	: TS. KUMAZAWA	16.03.25	CODE NO.
		DRAWN	: TS. KUMAZAWA	16.03.25	CL544-0560-0-18
					EDC-351965-18-00
					DF62B-4EP-2.2C(18)
					1/1