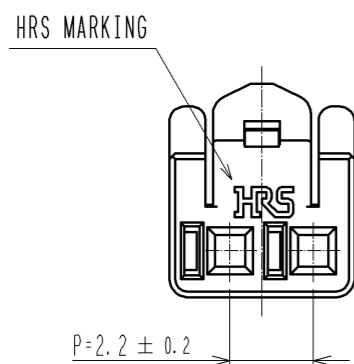
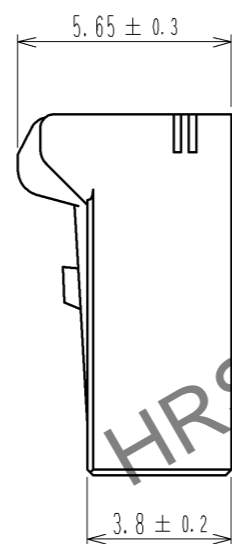
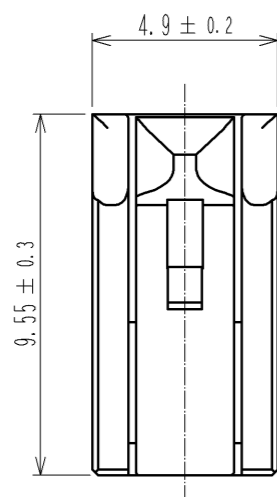
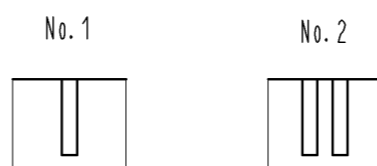
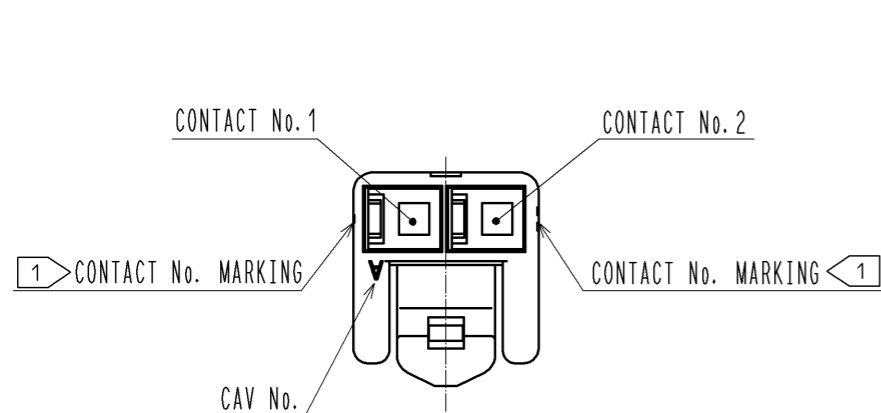
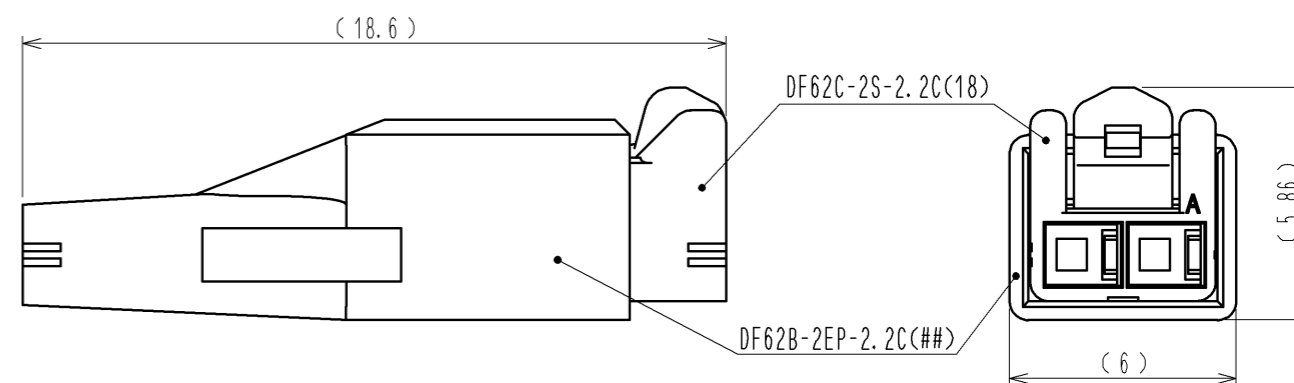


Apr.1.2025 Copyright 2025 HIROSE ELECTRIC CO., LTD. All Rights Reserved.
 In case of consideration for using Automotive equipment / device which demand high reliability, kindly contact our sales window correspondents.

1 > FIGURE-1 CONTACT No. MARKING (10:1)



MATING FIGURE



- NOTE. 1 > MARKINGS AT THE INDICATED POSITIONS ARE CONTACT NO. MARKING. AND SHAPES ARE SHOWN IN FIGURE-1.
 2. PER PACK : 100 PIECES.
 3. THE DIMENSIONS IN PARENTHESIS ARE FOR REFERENCE.

NO.	MATERIAL	FINISH . REMARKS	NO.	MATERIAL	FINISH . REMARKS
			1	PBT	UL94V-0 (RED)
UNITS mm		SCALE 5 : 1	COUNT 	DESCRIPTION OF REVISIONS	DESIGNED
APPROVED : KI. AKIYAMA 13. 09. 17			DRAWING NO. EDC3-351970-02		
CHECED : OM. MIYAMOTO 13. 09. 13			PART NO. DF62C-2S-2. 2C(18)		
DESIGNED : TH. YOSHIZAWA 13. 09. 13			CODE NO. CL544-0565-4-18		
DRAWN : MI. SAKIMURA 13. 09. 10			1/1		