

1. Scope

This document specifies the steps to insert or remove the DF62 series.

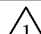
It contains general guidelines and precautions for the safe use of the product. The use of the product in a way not as specified in the document could result in unexpected troubles such as damage to connectors. Please make sure to thoroughly read and understand the document prior to the use of the product.

2. Connectors

○ Connectors

DF62 - * EP - 2.2 C

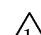
① ② ③ ④ ⑤

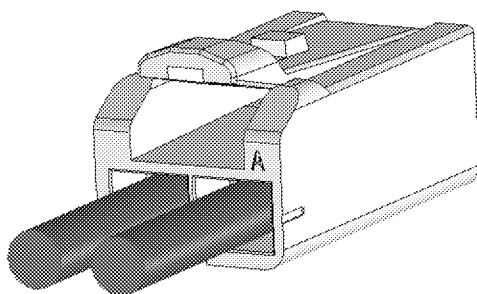
① Series: DF62
② No. of poles: 2 ~ 24 
③ Connector types S : Socket EP: In-line plug
④ Terminal pitch: 2.2 mm
⑤ Shape of connection/terminal C: Crimping case


○ Terminals

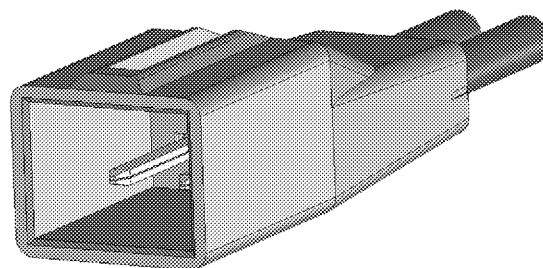
DF62 - EP 2428 PCF A


① ② ③ ④

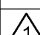

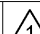
① Application EP: In-line
② Compatible cables 22 : AWG22 2428: AWG24 ~ 28 30 : AWG30
③ Shape/packing SCF: Socket terminal, reeled SC : Socket terminal, separate PCF: Plug terminal, reeled PC : Plug terminal, separate
④ Plating A : Gold plating Blank : Tin plating 



(E.g.) DF62B-2S-2.2C 
+DF62-2428SCFA (Cables attached)



(E.g.) DF62B-2EP-2.2C 
+DF62-EP2428PCFA (Cables attached)

	COUNT	DESCRIPTION OF REVISIONS	DESIGNED	CHECKED	DATE
	4	DIS-H-008108	TH.YOSHIZAWA	MN.KENJO	13.08.22
TITLE			 HIROSE ELECTRIC CO.,LTD. APPROVED KI.AKIYAMA 13.04.23 CHECKED HK.UMEHARA 13.04.23 DESIGNED TS.KUMAZAWA 13.04.23 WRITTEN TS.KUMAZAWA 13.04.23		
DF62 Series Mating / Unmating Operation Instruction Manual					
TECHNICAL SPECIFICATION					
			ETAD-H0599		1 / 4

3. Operation procedure

3-1. Insertion

3-1-a. Positioning for insertion:

Adjust the position for insertion according to the locks of the socket and In-line plug.

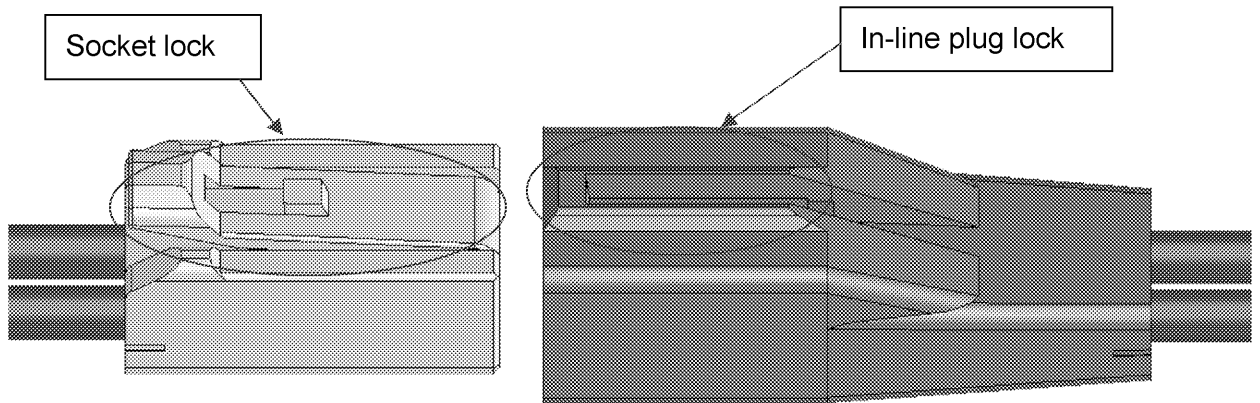


Fig.2 Positioning for insertion

3-1-b. Insertion:

Insert the socket till it clicks while retaining the adjusted position.

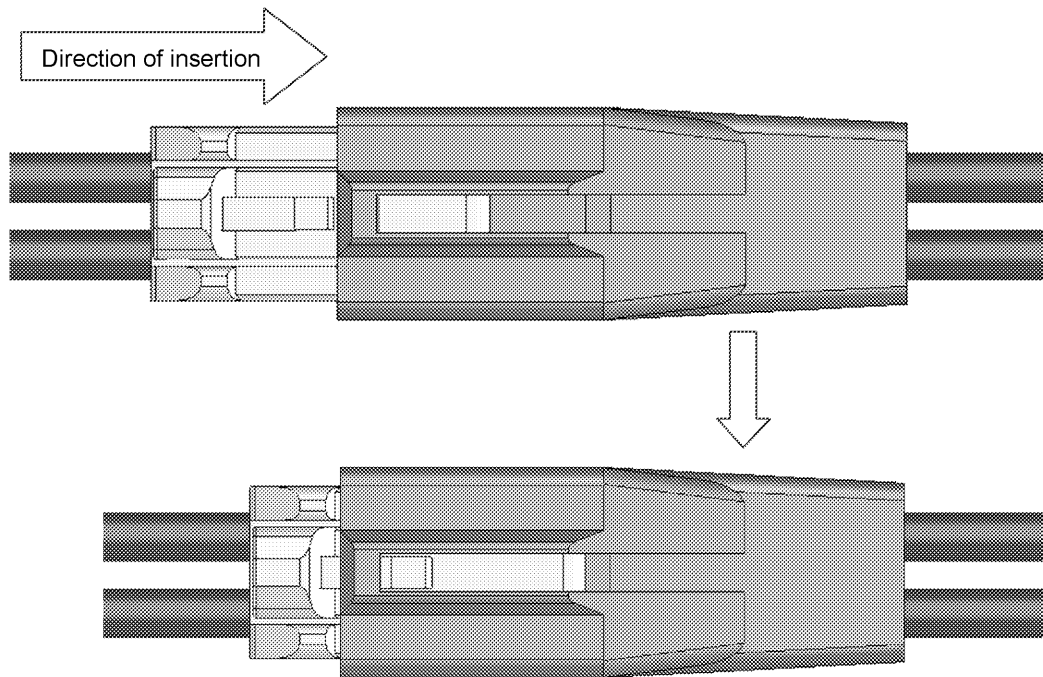


Fig.3 Insertion

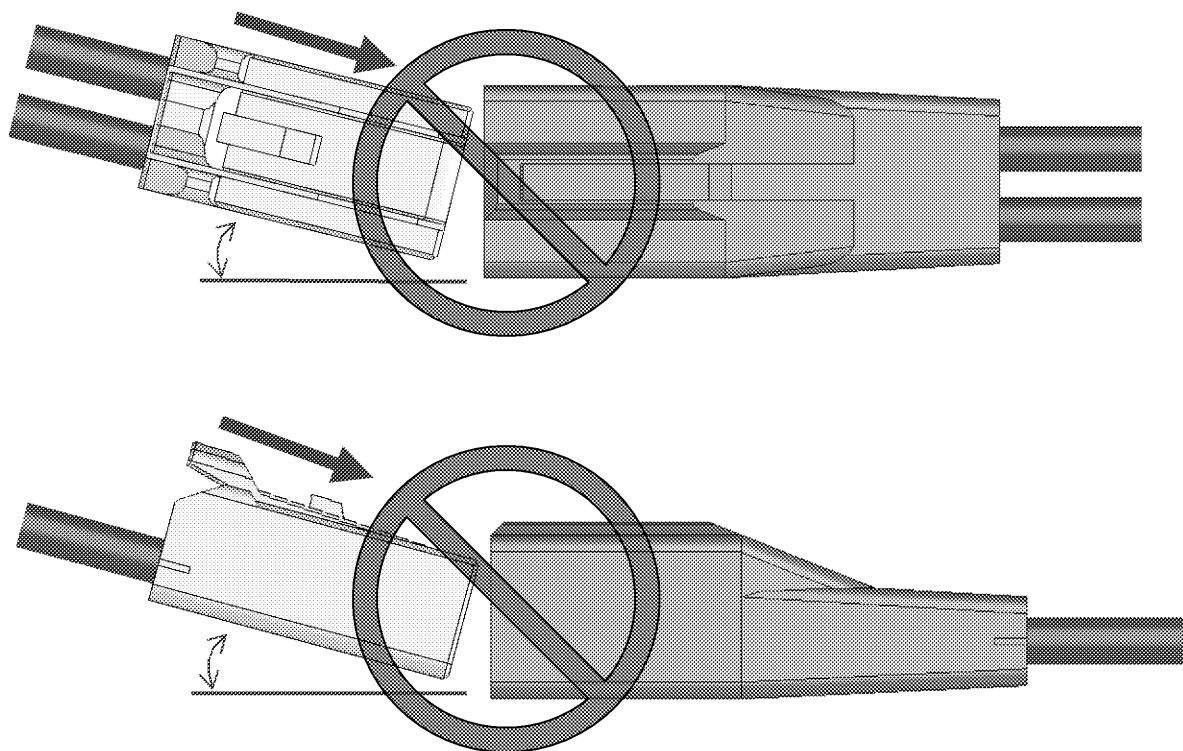


Fig.4 Prohibited insertion

To avoid degraded quality, do not tilt the socket for insertion as shown in the figure above.

3-1-c. Check fitting:

Make sure the socket has been firmly fit with the In-line plug.

(Check that the socket lock has been caught at the In-line plug lock either visually or by slightly pulling a cable by hand.)

To remove the socket, see 3-2. Socket removal.

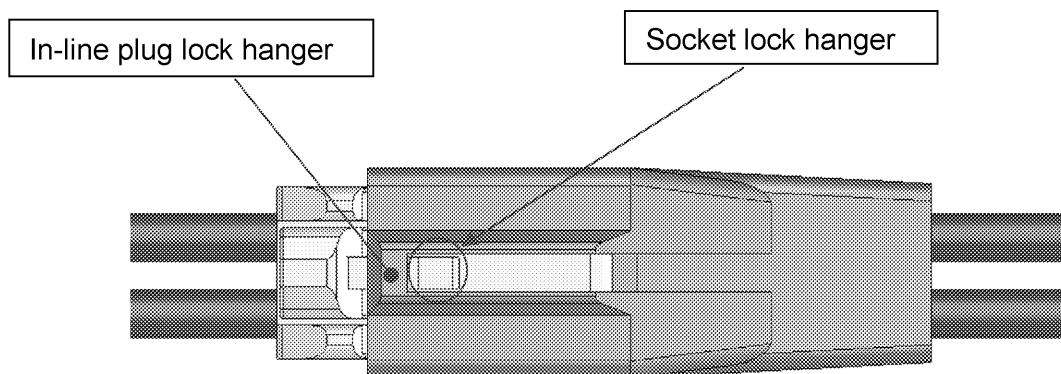


Fig.5 Check fitting

3-2. Socket removal

3-2-a. Removal:

Remove the socket while pressing with a finger the lock spring on the socket to unlock.
Note: To prevent the lock hanger from being damaged or the cables from being disconnected, do not remove the socket when it is locked.

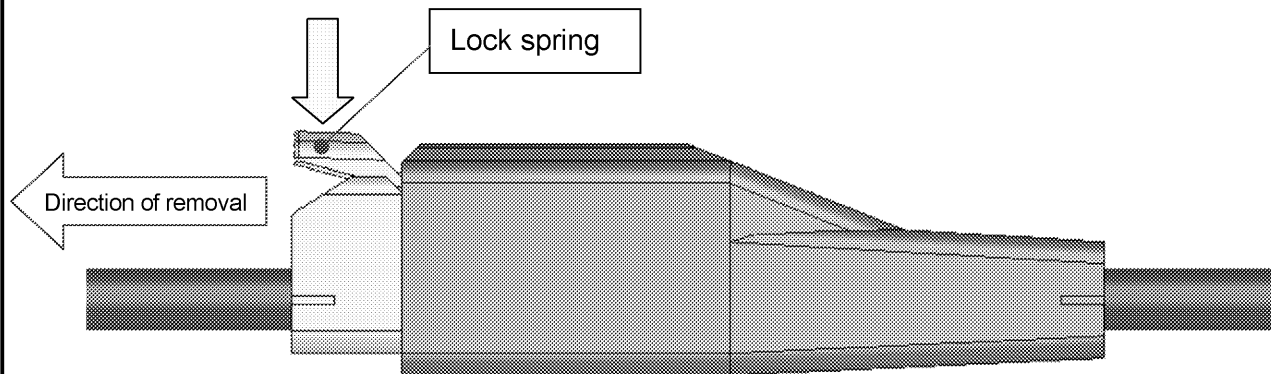


Fig.6 Socket removal

4. Precautions

- Do not insert or remove the socket while electrifying.
- Excessive external force applied to connectors could cause fault or damage. Therefore, avoid forced insertion or removal, impacts given by falling, or forced pulling of cables.