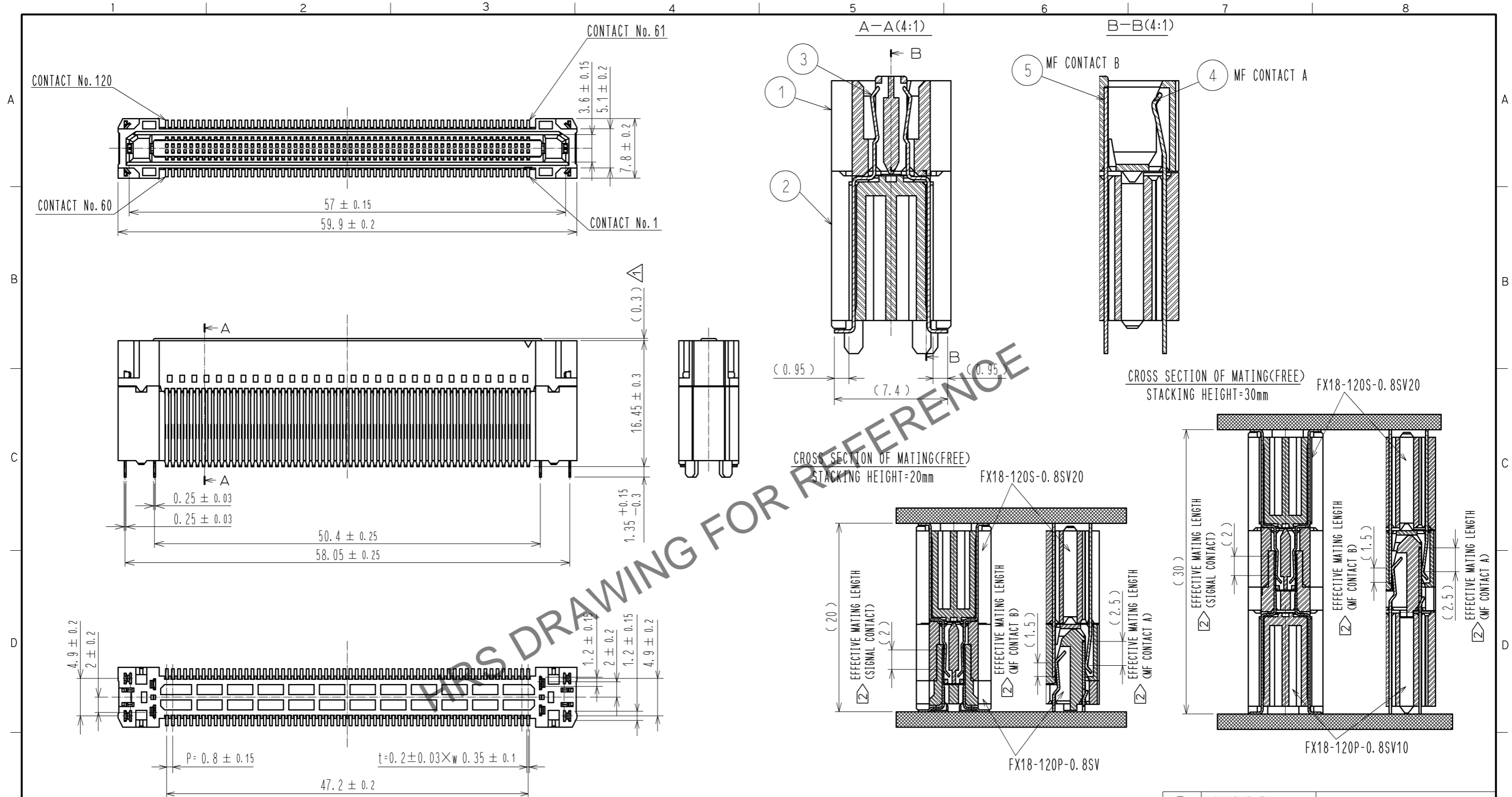


Mar.1.2025 Copyright 2025 HIROSE ELECTRIC CO., LTD. All Rights Reserved.
In case of consideration for using Automotive equipment / device which demand high reliability, kindly contact our sales window correspondents.



- NOTE 1 LEAD CO-PLANARITY IS 0.1mm MAX.
- ② CONTACTS ARE 3 STEPS SEQUENTIAL. (MF CONTACT A->SIGNAL CONTACT->MF CONTACT B) WHEN USING THIS SEQUENTIAL STRUCTURE, PLEASE AVOID ANGLED INSERTION.
 - ③ MF CONTACT A AND MF CONTACT B CAN BE USED AS POWER SUPPLY CONTACT. (3A/PIN MAX)
 - ④ IT SHOWS THE VACUUM PICKUP AREA. (SEE PAGE 2) REMOVE THE MYLAR TAPE BEFORE MATING CONNECTORS.
 - ⑤ THIS IS PACKAGED IN TRAY. (40pcs/TRAY)
 - ⑥ BLEMISH AND HIT MARK CAN BE OCCURED THROUGH OUT THE MANUFACTURING PROCESS WHICH DOESN' T AFFECT QUALITY LEVEL.
 - ⑦ THE DIMENSIONS IN PARENTHESES ARE FOR REFERENCES.

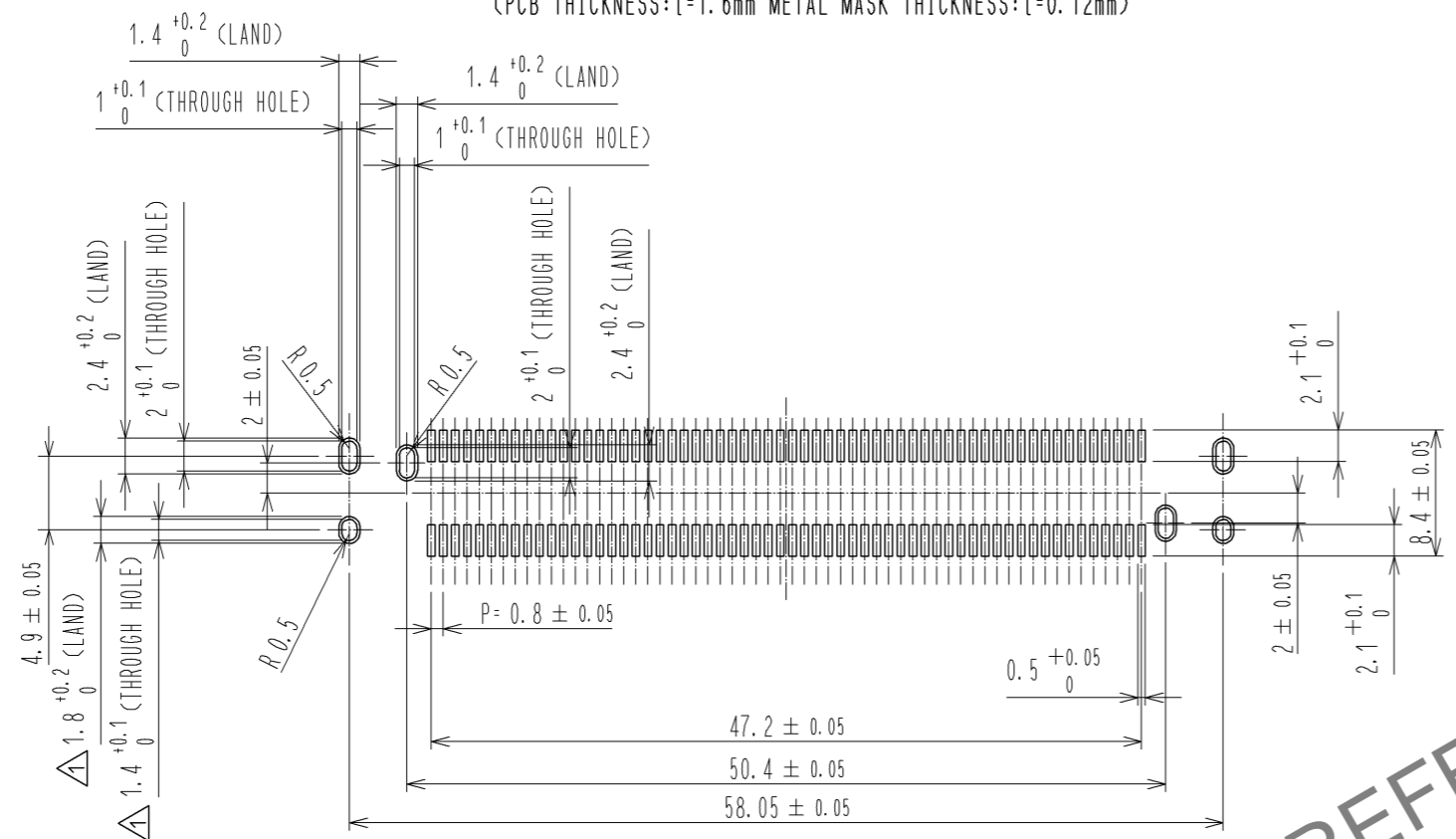
NO.	MATERIAL	FINISH	REMARKS	NO.	MATERIAL	FINISH	REMARKS
3	PHOSPHOR BRONZE	CONTACT AREA:GOLD 0.1 μm LEAD AREA:GOLD 0.03 μm UNDER PLATING:NICKEL 1.3 μm		5	COPPER ALLOY	CONTACT AREA:GOLD 0.1 μm LEAD AREA:TIN-PLATING 1 μm UNDER PLATING:NICKEL 1.3 μm	
2	POLYAMIDE	BLACK UL94V-0		4	COPPER ALLOY	CONTACT AREA:GOLD 0.1 μm LEAD AREA:TIN-PLATING 1 μm UNDER PLATING:NICKEL 1.3 μm	
1	POLYAMIDE	BLACK UL94V-0					

UNITS	SCALE	COUNT	DESCRIPTION OF REVISIONS	DESIGNED	CHECKED	DATE
mm	2 : 1	4	DIS-F-005578	TH. SANO	KI. HIROKAWA	11.07.21

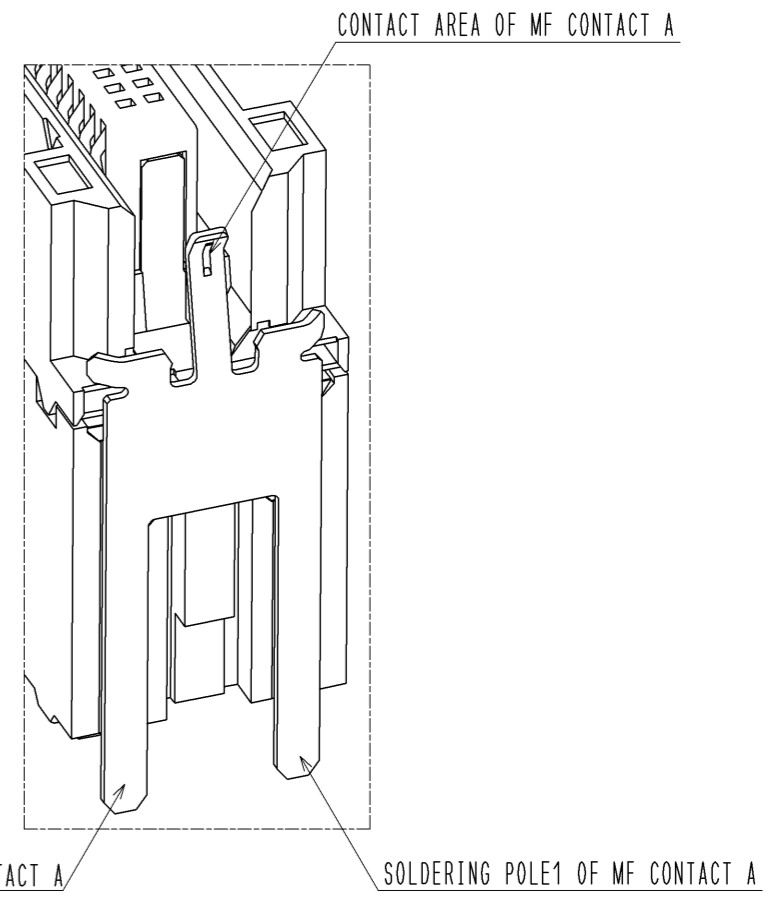
APPROVED : HS. OKAWA	11.03.17	DRAWING NO.	EDC3-334393-00
CHECKED : KI. HIROKAWA	11.03.17	PART NO.	FX18-120S-0.8SV20
DESIGNED : TH. SANO	11.03.17	CODE NO.	CL579-0033-9-00
DRAWN : TH. SANO	11.03.17		

Mar.1.2025 Copyright 2025 HIROSE ELECTRIC CO., LTD. All Rights Reserved.
 In case of consideration for using Automotive equipment / device which demand high reliability, kindly contact our sales window correspondents.

RECOMMENDED LAND PATTERN DIMENSION OF PCB(2:1)
 (PCB THICKNESS:t=1.6mm METAL MASK THICKNESS:t=0.12mm)

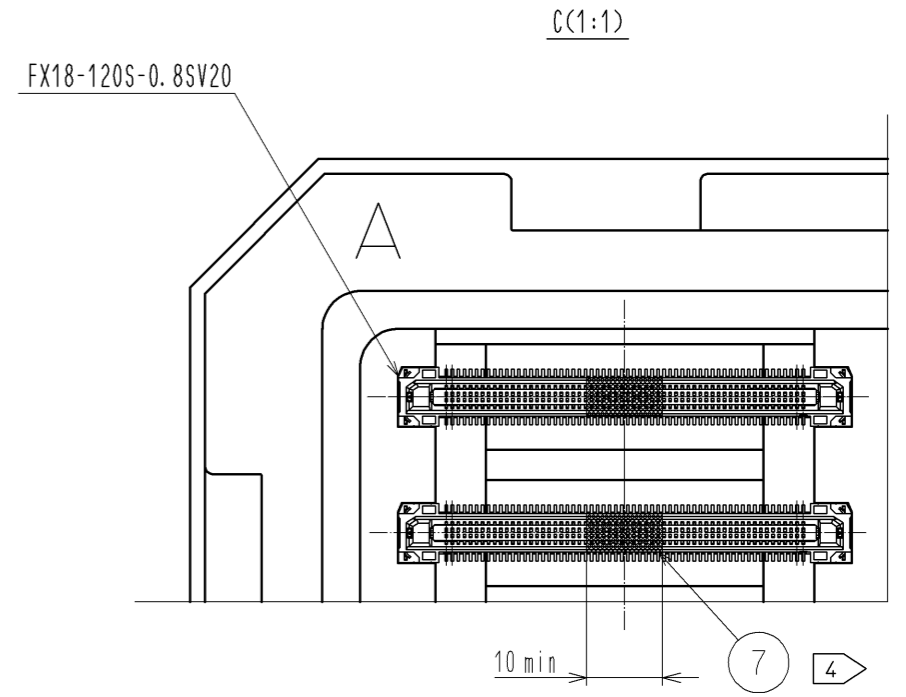
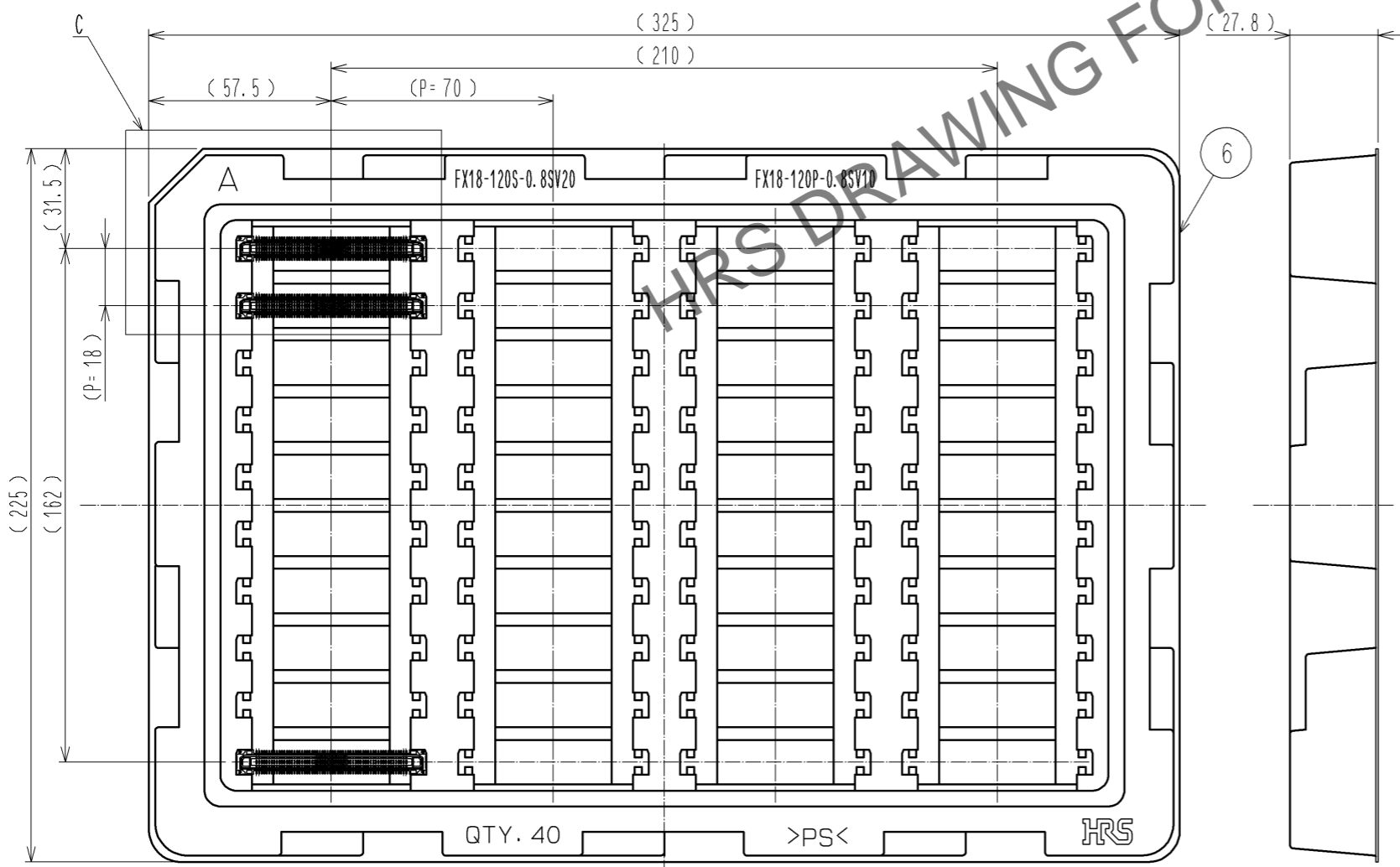


1 8 CONFIGURATION OF MF CONTACT A



NOTE 8 SOLDERING LEAD OF MF CONTACT A SPLITS INTO TWO POLES.
 BE SURE TO CONNECT TO THE SAME CIRCUIT.

5 DRAWING FOR PACKING(1:2)



HRS	DRAWING NO.	EDC3-334393-00	1/2
	PART NO.	FX18-120S-0.8SV20	
	CODE NO.	CL579-0033-9-00	