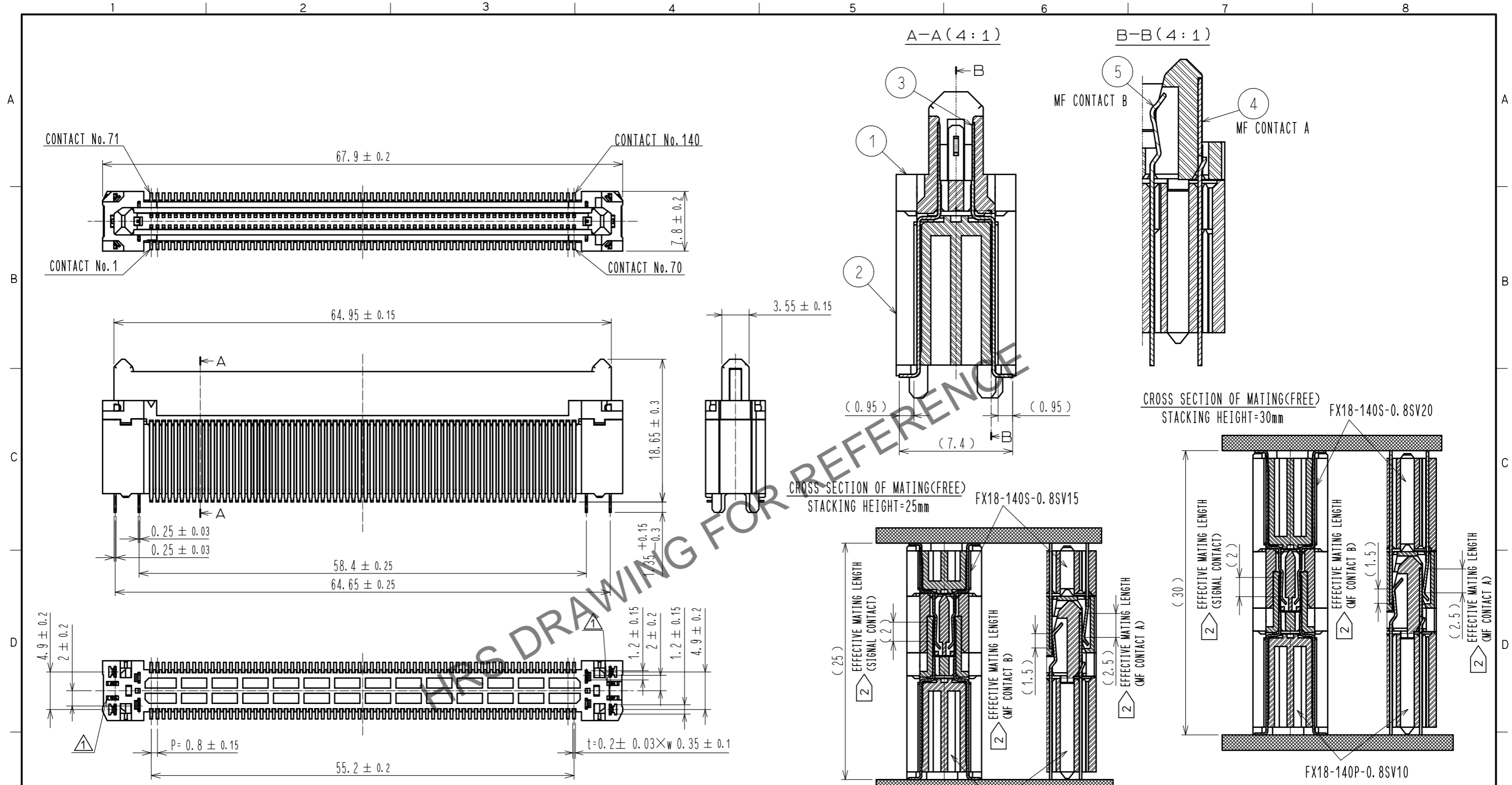


Mar.1.2025 Copyright 2025 HIROSE ELECTRIC CO., LTD. All Rights Reserved.
In case of consideration for using Automotive equipment / device which demand high reliability, kindly contact our sales window correspondents.

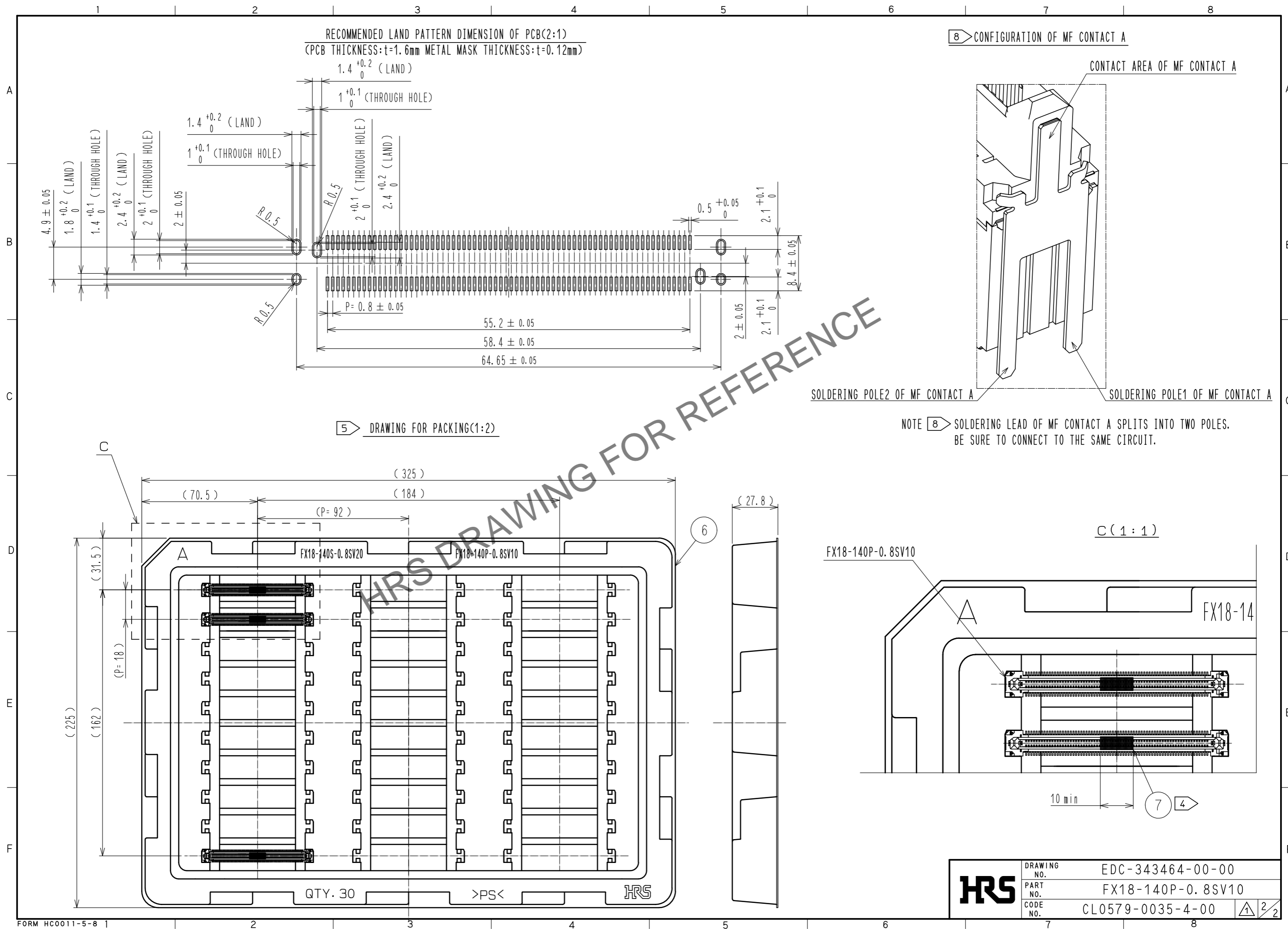


- NOTES
- 1 LEAD CO-PLANARITY IS 0.1mm MAX.
 - 2 CONTACTS ARE 3 STEPS SEQUENTIAL. (MF CONTACT A=>SIGNAL CONTACT=>MF CONTACT B) WHEN USING THIS SEQUENTIAL STRUCTURE, PLEASE AVOID ANGLED INSERTION.
 - 3 MF CONTACT A AND MF CONTACT B CAN BE USED AS POWER SUPPLY CONTACT. (3A/PIN MAX)
 - 4 IT SHOWS THE VACUUM PICKUP AREA. (SEE PAGE 2)
REMOVE THE MYLAR TAPE BEFORE MATING CONNECTORS.
 - 5 THIS IS PACKAGED IN TRAY. (30pcs/TRAY)
 - 6 BLEMISH AND HIT MARK CAN BE OCCURED THROUGH OUT THE MANUFACTURING PROCESS WHICH DOESN' T AFFECT QUALITY LEVEL.
 - 7 THE DIMENSIONS IN PARENTHESES ARE FOR REFERENCES.

3	PHOSPHOR BRONZE	CONTACT AREA :GOLD 0.1μm LEAD AREA :GOLD 0.03μm UNDER PLATING:NICKEL 1.3μm	7	POLYIMIDE	
2	POLYAMIDE	BLACK UL94V-0	6	POLYSTYRENE	
1	POLYAMIDE	BLACK UL94V-0	5	COPPER ALLOY	CONTACT AREA :GOLD 0.1μm LEAD AREA :TIN-PLATING 1μm UNDER PLATING:NICKEL 1.3μm
NO.	MATERIAL	FINISH . REMARKS	4		COPPER ALLOY
NO.	MATERIAL	FINISH . REMARKS	NO.	MATERIAL	

UNITS	mm	SCALE	2 : 1	COUNT	2	DESCRIPTION OF REVISIONS	DESIGNED	CHECKED	DATE
						DIS-F-00017903	KS. NAKAJIMA	HT. YAMAGUCHI	20230331
HRS HIROSE ELECTRIC CO., LTD.		APPROVED	HS. OKAWA	20120612	DRAWING NO.		EDC-343464-00-00		
		CHECKED	KI. HIROKAWA	20120612	PART NO.		FX18-140P-0.8SV10		
		DESIGNED	AH. EDASHIGE	20120612	CODE NO.		CL0579-0035-4-00		
		DRAWN	AH. EDASHIGE	20120612					

Mar.1.2025 Copyright 2025 HIROSE ELECTRIC CO., LTD. All Rights Reserved.
In case of consideration for using Automotive equipment / device which demand high reliability, kindly contact our sales window correspondents.



HRS	DRAWING NO.	EDC-343464-00-00
	PART NO.	FX18-140P-0.8SV10
	CODE NO.	CL0579-0035-4-00
		\triangle 2/2