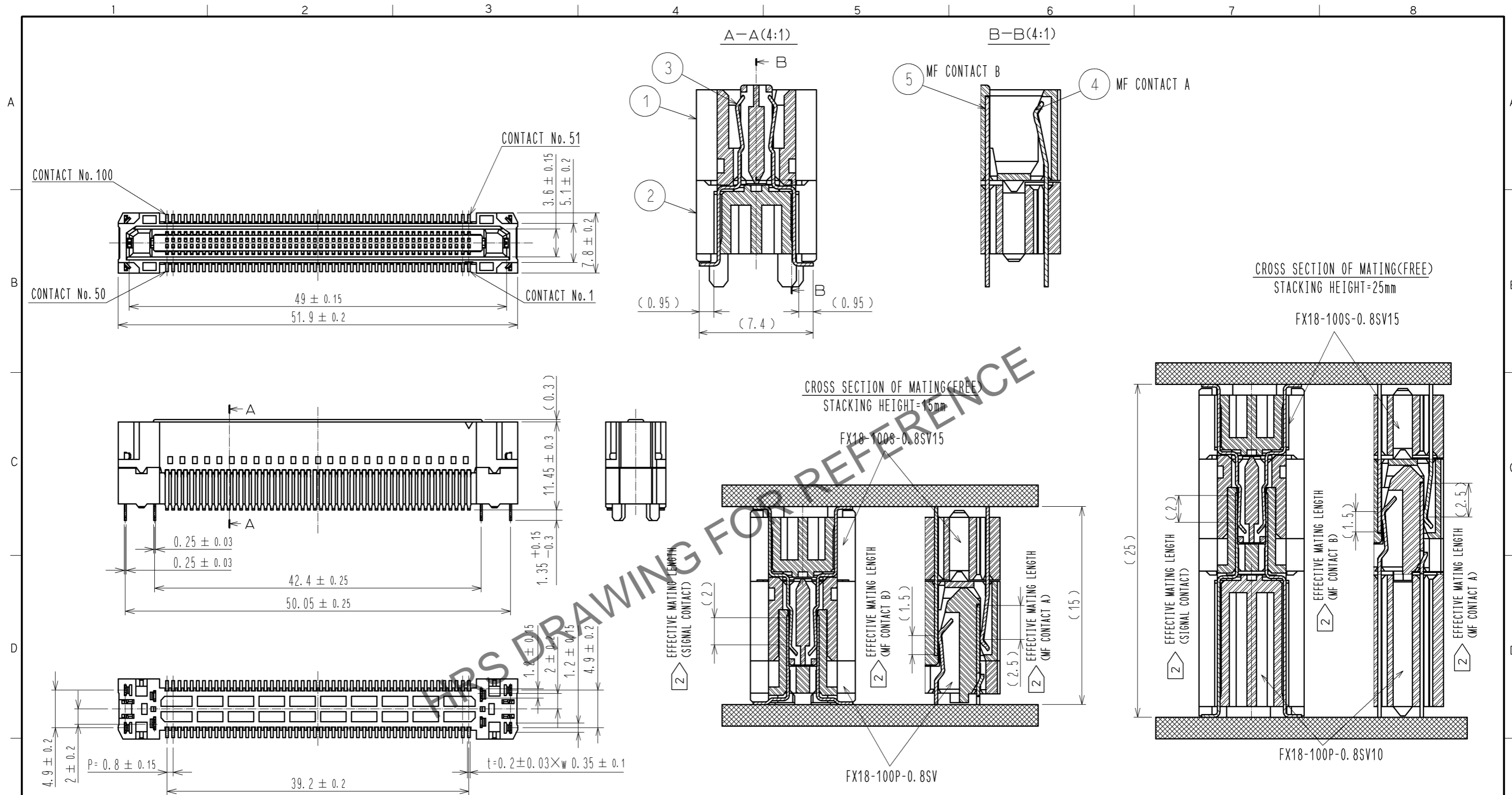


Feb.1.2025 Copyright 2025 HIROSE ELECTRIC CO., LTD. All Rights Reserved.
In case of consideration for using Automotive equipment / device which demand high reliability, kindly contact our sales window correspondents.

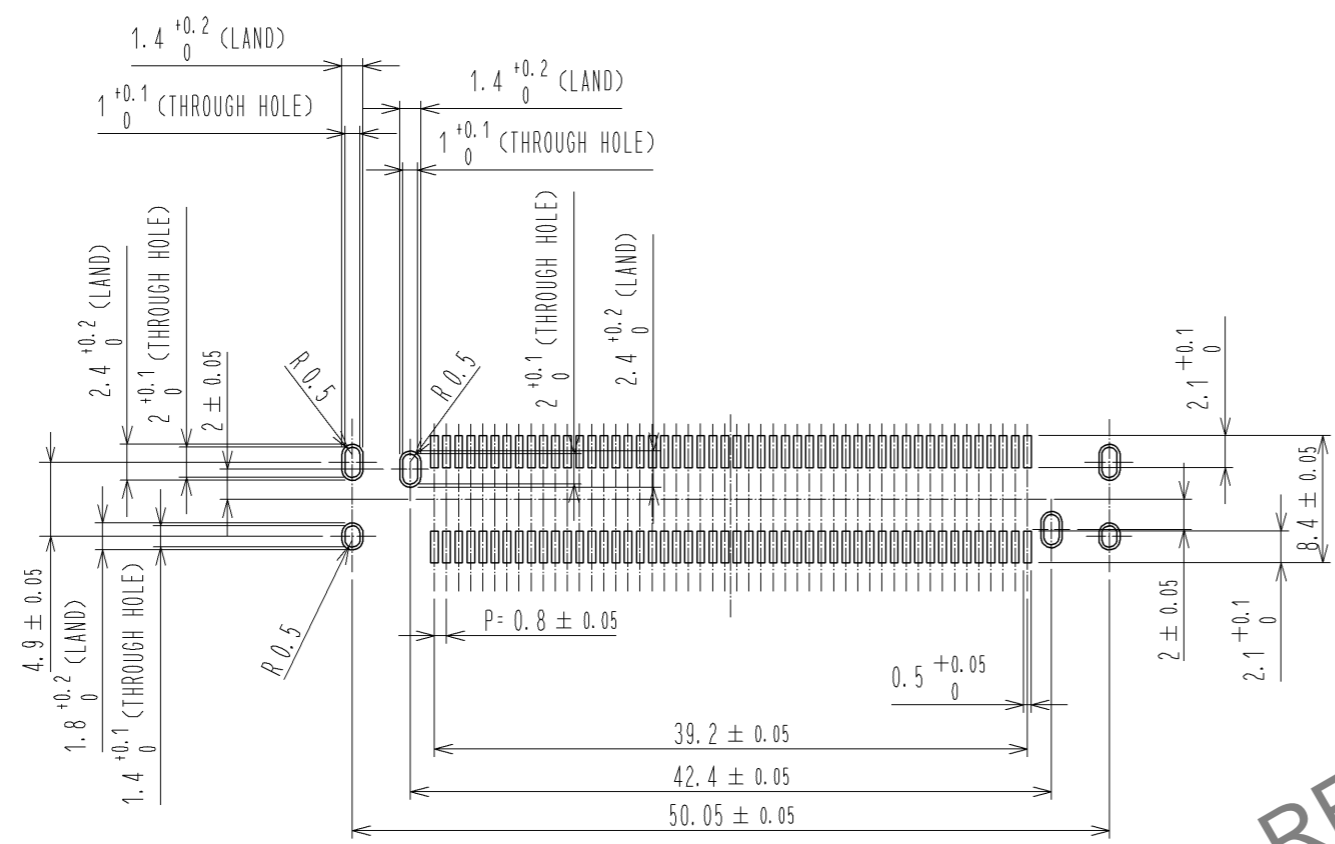


- NOTE 1 LEAD CO-PLANARITY IS 0.1mm MAX.
- ② CONTACTS ARE 3 STEPS SEQUENTIAL. (MF CONTACT A=>SIGNAL CONTACT=>MF CONTACT B) WHEN USING THIS SEQUENTIAL STRUCTURE, PLEASE AVOID ANGLED INSERTION.
 - ③ MF CONTACT A AND MF CONTACT B CAN BE USED AS POWER SUPPLY CONTACT. (3A/PIN MAX)
 - ④ IT SHOWS THE VACUUM PICKUP AREA. (SEE PAGE 2)
REMOVE THE MYLAR TAPE BEFORE MATING CONNECTORS.
 - ⑤ THIS IS PACKAGED IN TRAY. (40pcs/TRAY)
 - ⑥ BLEMISH AND HIT MARK CAN BE OCCURED THROUGH OUT THE MANUFACTURING PROCESS WHICH DOESN' T AFFECT QUALITY LEVEL.
 - ⑦ THE DIMENSIONS IN PARENTHESES ARE FOR REFERENCES.

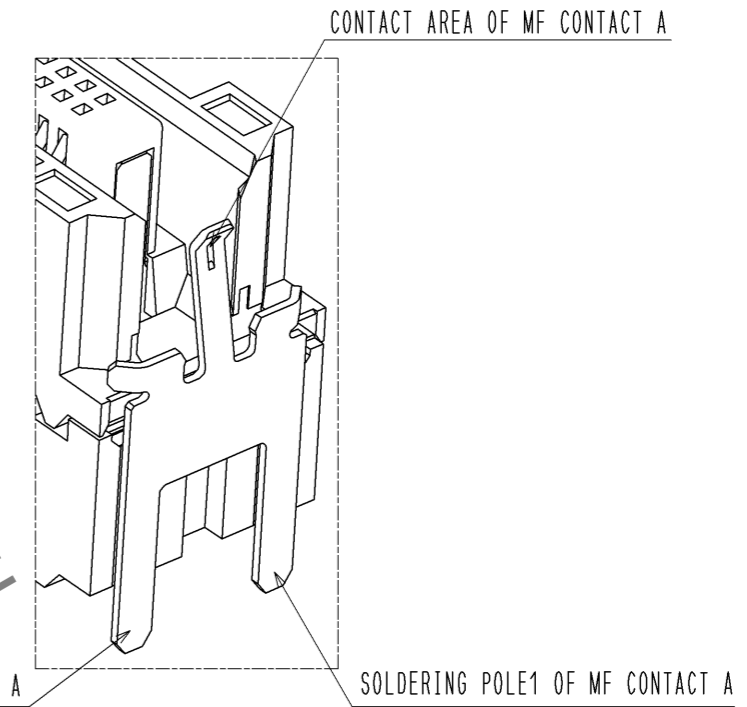
7	POLYIMIDE								
6	POLYSTYRENE								
5	COPPER ALLOY	CONTACT AREA:GOLD 0.1 μm							
		LEAD AREA:TIN-PLATING 1 μm							
		UNDER PLATING:NICKEL 1.3 μm							
4	COPPER ALLOY	CONTACT AREA:GOLD 0.1 μm							
		LEAD AREA:TIN-PLATING 1 μm							
3	PHOSPHOR BRONZE	CONTACT AREA:GOLD 0.1 μm							
		LEAD AREA:GOLD 0.03 μm							
		UNDER PLATING:NICKEL 1.3 μm							
2	POLYAMIDE	BLACK UL94V-0							
1	POLYAMIDE	BLACK UL94V-0							
NO.	MATERIAL	FINISH	REMARKS	NO.	MATERIAL	FINISH	REMARKS		
UNITS		⊕	SCALE	COUNT	DESCRIPTION OF REVISIONS		DESIGNED	CHECKED	DATE
mm			2 : 1	△					
HRS HIROSE ELECTRIC CO., LTD.		APPROVED : HS. OKAWA	12.06.12	DRAWING NO.		EDC3-343465-00			
		CHECKED : KI. HIROKAWA	12.06.12	PART NO.		FX18-100S-0.8SV15			
		DESIGNED : AH. EDASHIGE	12.06.12	CODE NO.		CL579-0036-7-00			
		DRAWN : AH. EDASHIGE	12.06.12			△ 1/2			

Feb.1.2025 Copyright 2025 HIROSE ELECTRIC CO., LTD. All Rights Reserved.
 In case of consideration for using Automotive equipment / device which demand high reliability, kindly contact our sales window correspondents.

RECOMMENDED LAND PATTERN DIMENSION OF PCB(2:1)
 (PCB THICKNESS:t=1.6mm METAL MASK THICKNESS:t=0.12mm)

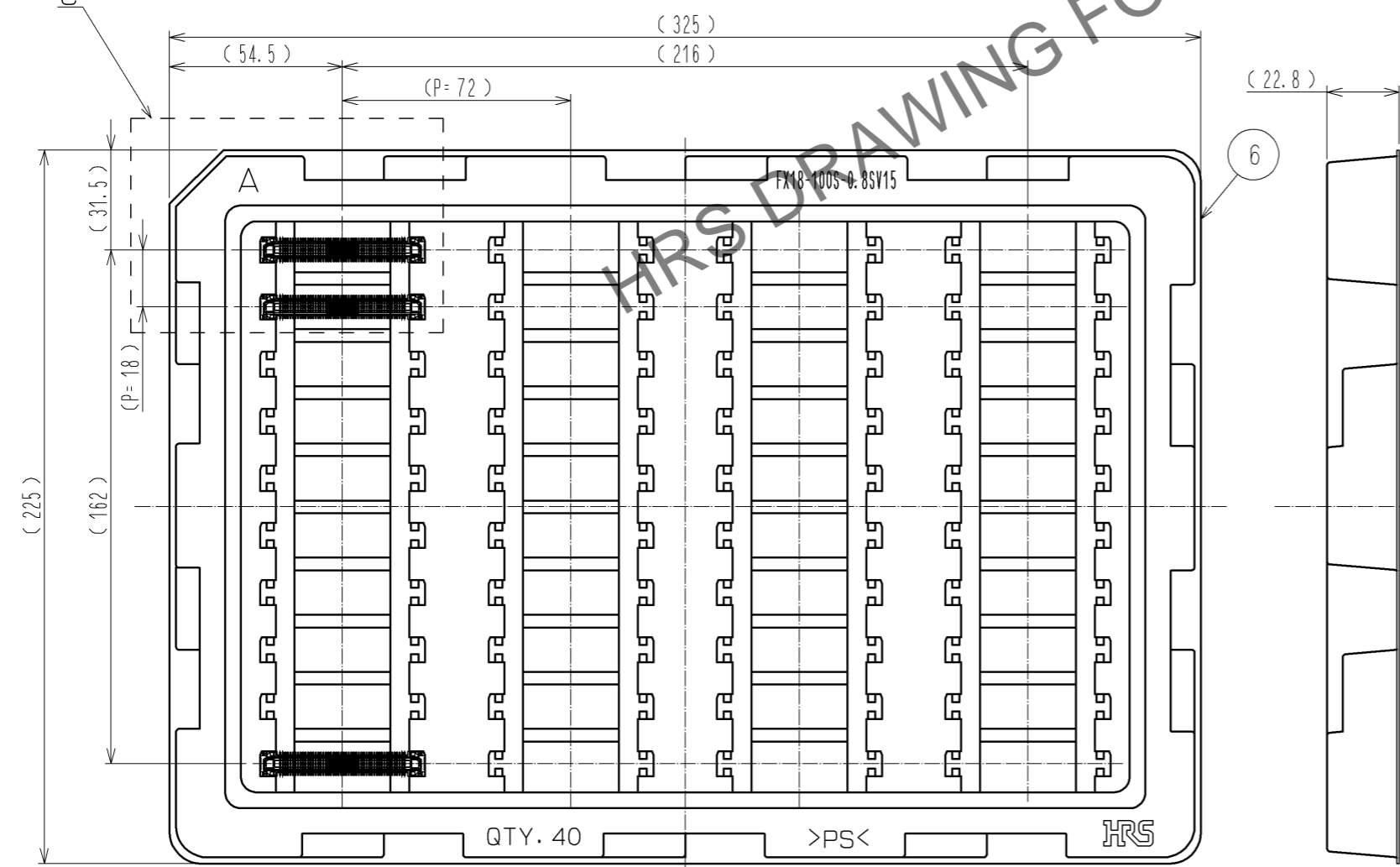


8 CONFIGURATION OF MF CONTACT A

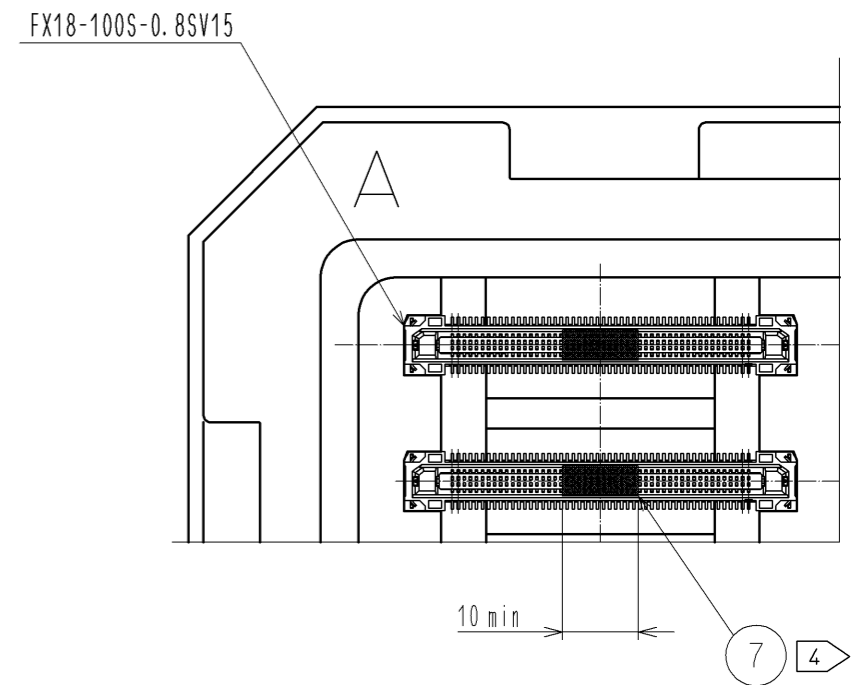


NOTE 8 SOLDERING LEAD OF MF CONTACT A SPLITS INTO TWO POLES.
 BE SURE TO CONNECT TO THE SAME CIRCUIT.

5 DRAWING FOR PACKING(1:2)



C (1:1)



HRS	DRAWING NO.	EDC3-343465-00
	PART NO.	FX18-100S-0.8SV15
	CODE NO.	CL579-0036-7-00
		△ 2/2