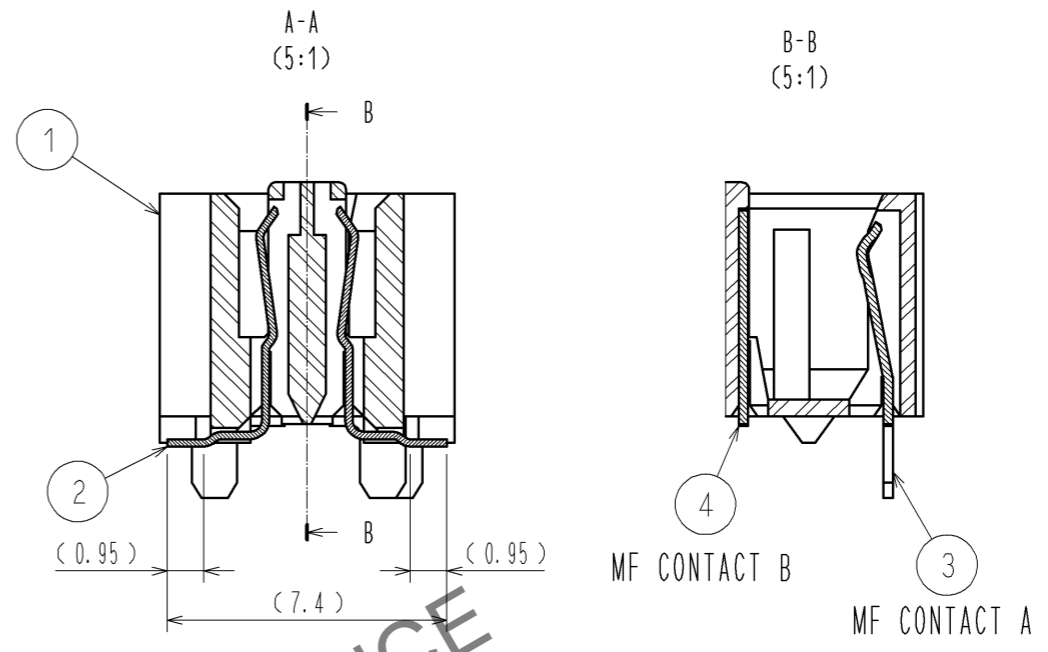
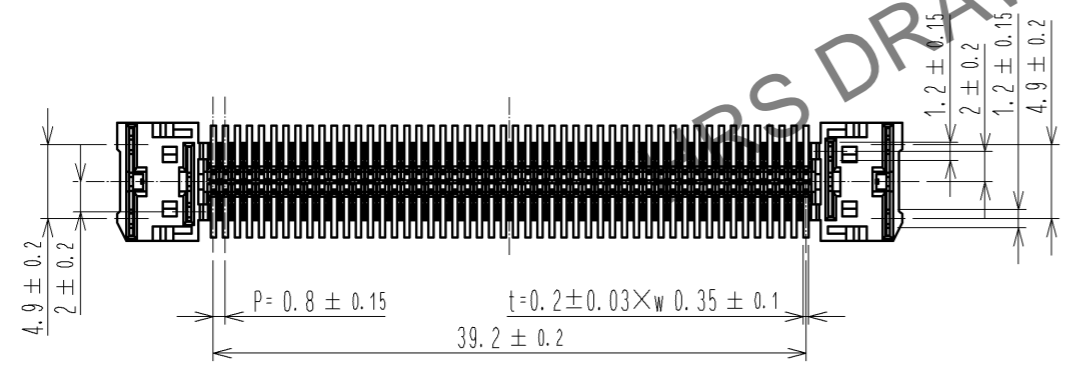
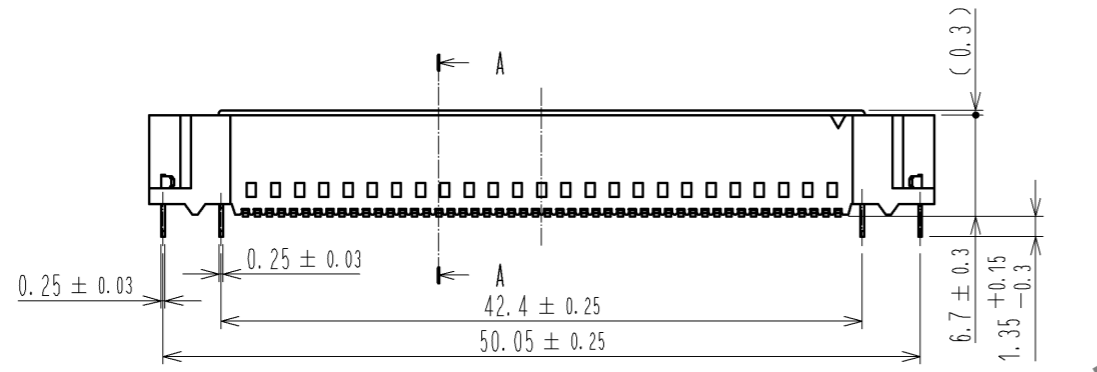
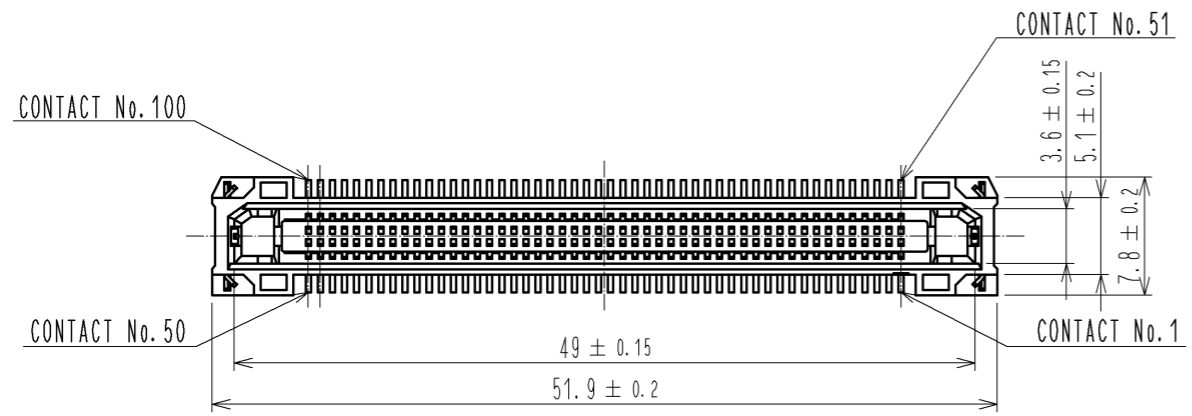
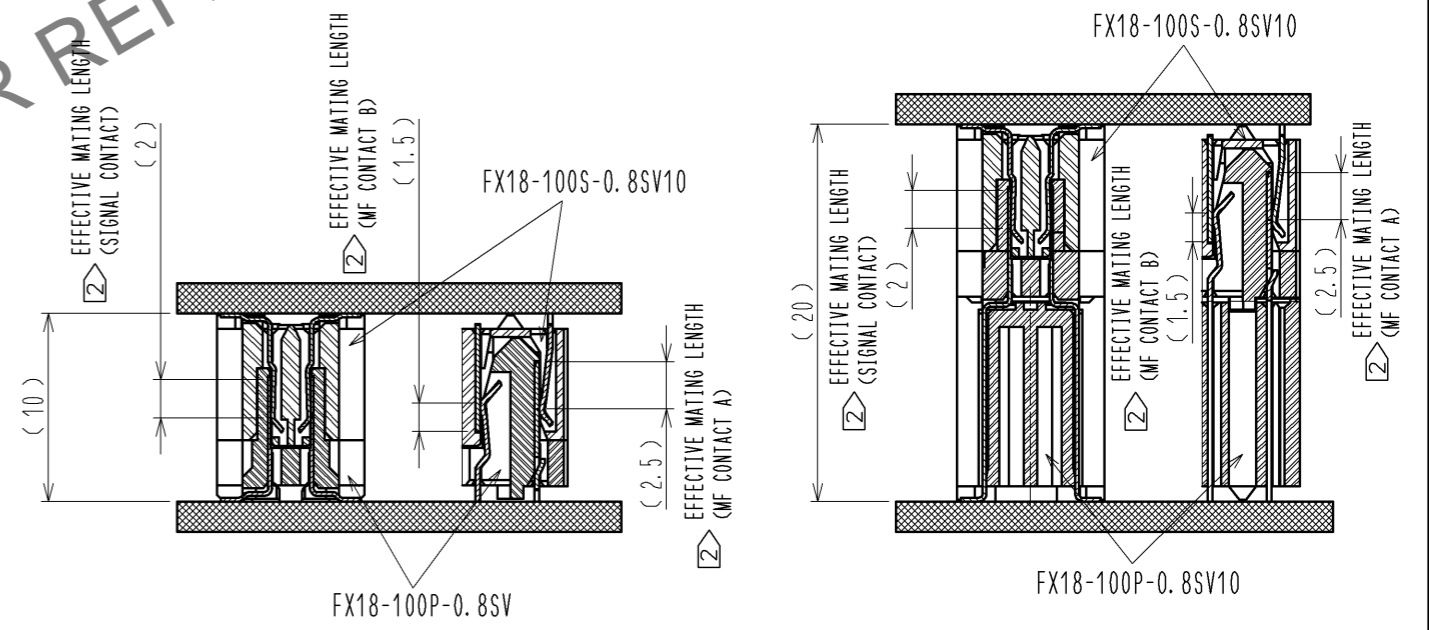


Feb.1.2025 Copyright 2025 HIROSE ELECTRIC CO., LTD. All Rights Reserved.
In case of consideration for using Automotive equipment / device which demand high reliability, kindly contact our sales window correspondents.



CROSS SECTION OF MATING(FREE)
STACKING HEIGHT=10mm

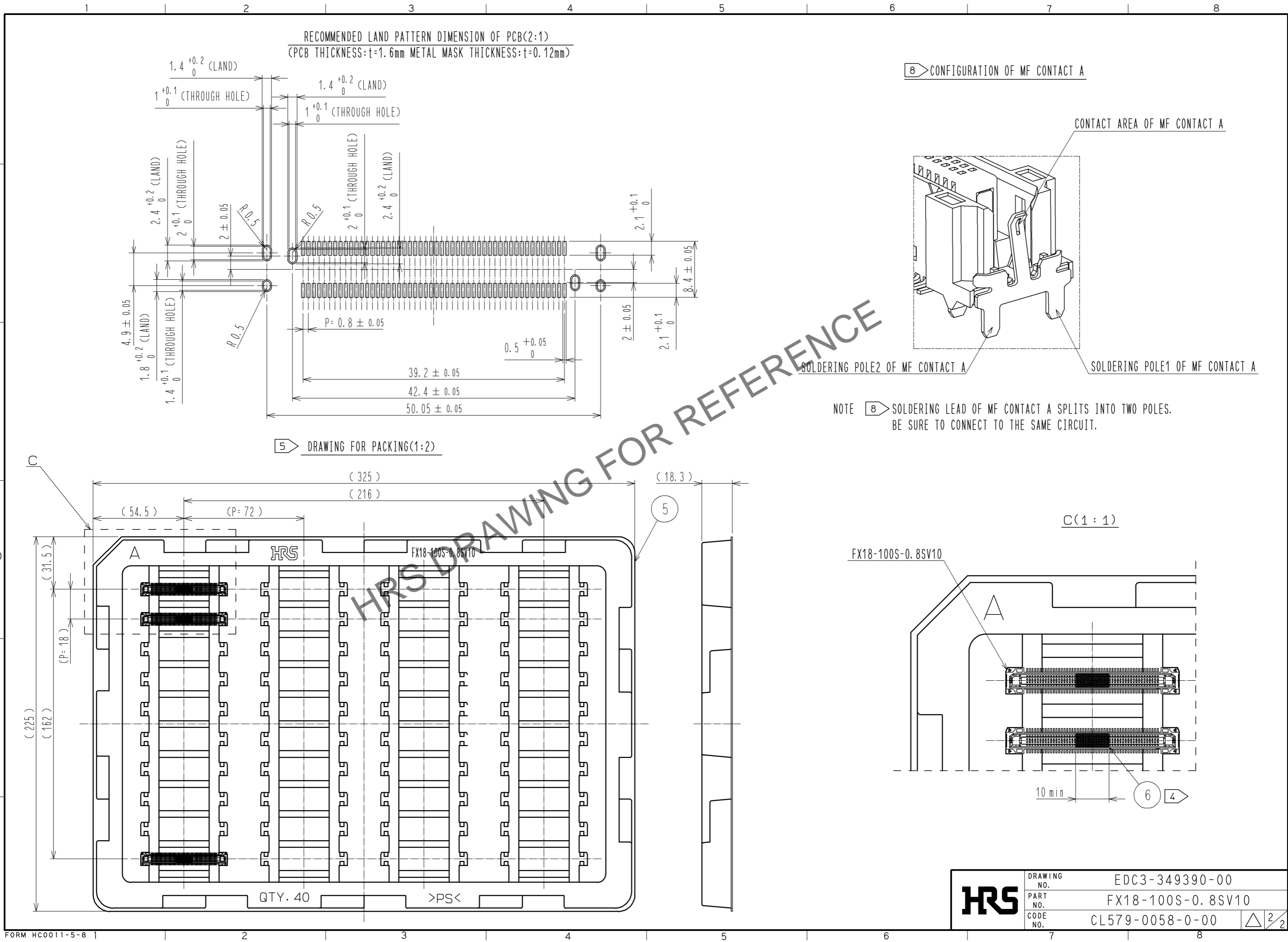
CROSS SECTION OF MATING(FREE)
STACKING HEIGHT=20mm



- NOTE 1 LEAD CO—PLANARITY IS 0.1mm MAX.
 2 CONTACTS ARE 3 STEPS SEQUENTIAL. (MF CONTACT A=>SIGNAL CONTACT=>MF CONTACT B) WHEN USING THIS SEQUENTIAL STRUCTURE, PLEASE AVOID ANGLED INSERTION.
 3 MF CONTACT A AND MF CONTACT B CAN BE USED AS POWER SUPPLY CONTACT. (3A/PIN MAX)
 4 IT SHOWS THE VACUUM PICKUP AREA. (SEE PAGE 2) REMOVE THE MYLAR TAPE BEFORE MATING CONNECTORS.
 5 THIS IS PACKAGED IN TRAY. (40pcs/TRAY)
 6 BLEMISH AND HIT MARK CAN BE OCCURED THROUGH OUT THE MANUFACTURING PROCESS WHICH DOESN' T AFFECT QUALITY LEVEL.
 7 THE DIMENSIONS IN PARENTHESES ARE FOR REFERENCES.

6	POLYIMIDE							
5	POLYSTYRENE							
4	COPPER ALLOY	CONTACT AREA:GOLD 0.1 μm						
		LEAD AREA:TIN-PLATING 1 μm						
		UNDER PLATING:NICKEL 1.3 μm						
3	COPPER ALLOY	CONTACT AREA:GOLD 0.1 μm						
		LEAD AREA:TIN-PLATING 1 μm						
		UNDER PLATING:NICKEL 1.3 μm						
2	COPPER ALLOY	CONTACT AREA:GOLD 0.1 μm						
		LEAD AREA:GOLD 0.03 μm						
		UNDER PLATING:NICKEL 1.3 μm						
1	POLYAMIDE	BLACK UL94V-0						
NO.	MATERIAL	FINISH	REMARKS	NO.	MATERIAL	FINISH	REMARKS	
UNITS	mm	SCALE	2 : 1	COUNT	DESCRIPTION OF REVISIONS	DESIGNED	CHECKED	DATE
		HIROSE ELECTRIC CO., LTD.		APPROVED : HS. OKAWA 14.07.16 CHECKED : HT. YAMAGUCHI 14.07.15 DESIGNED : TH. SANO 14.07.15 DRAWN : TH. SANO 14.07.15	DRAWING NO. EDC3-349390-00 PART NO. FX18-100S-0.8SV10 CODE NO. CL579-0058-0-00	1/2		

Feb.1.2025 Copyright 2025 HIROSE ELECTRIC CO., LTD. All Rights Reserved.
 In case of consideration for using Automotive equipment / device which demand high reliability, kindly contact our sales window correspondents.



HRS	DRAWING NO.	EDC3-349390-00	△ 2/2
	PART NO.	FX18-100S-0.8SV10	
	CODE NO.	CL579-0058-0-00	