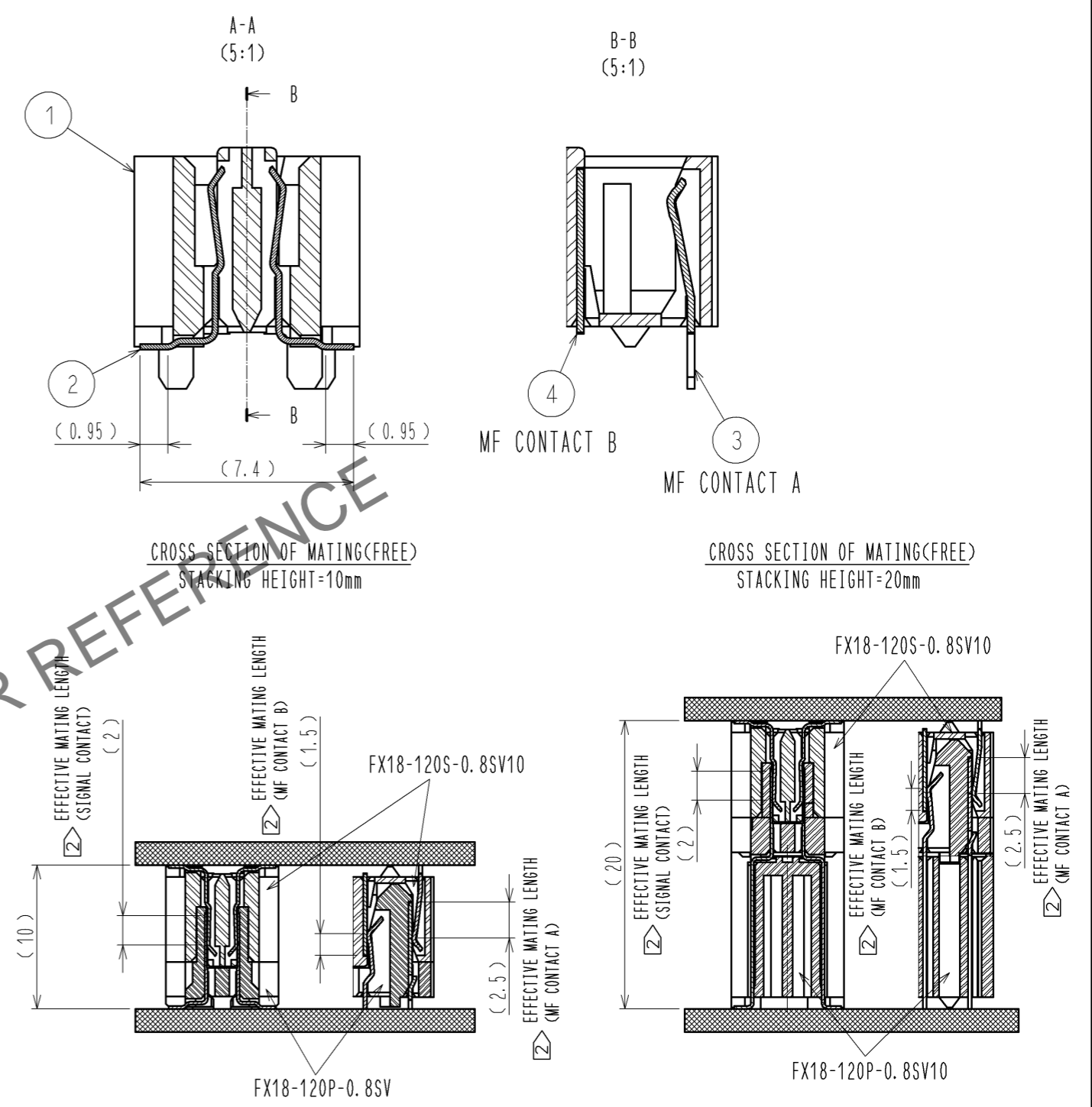
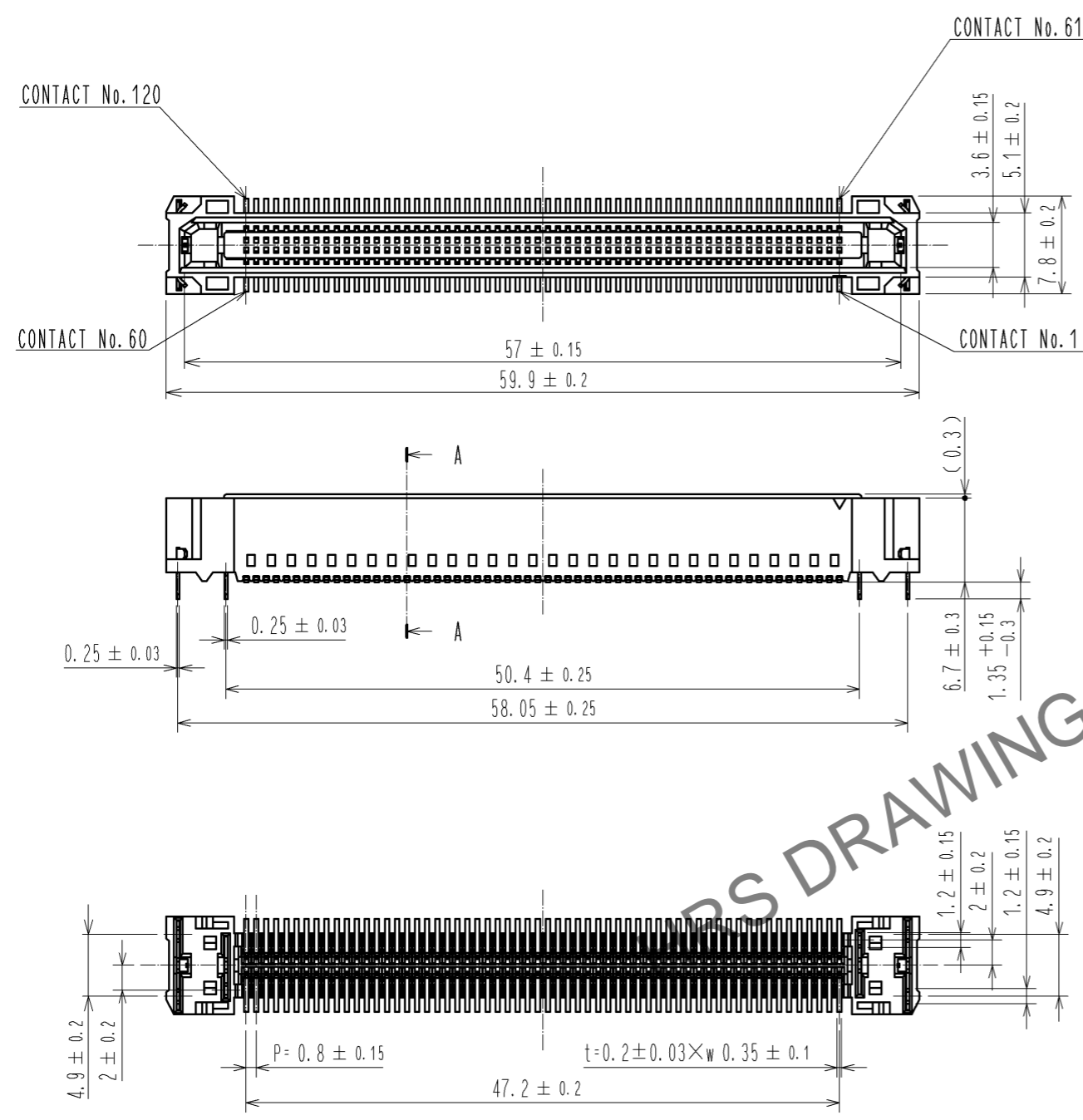


Feb.1.2025 Copyright 2025 HIROSE ELECTRIC CO., LTD. All Rights Reserved.
 In case of consideration for using Automotive equipment / device which demand high reliability, kindly contact our sales window correspondents.

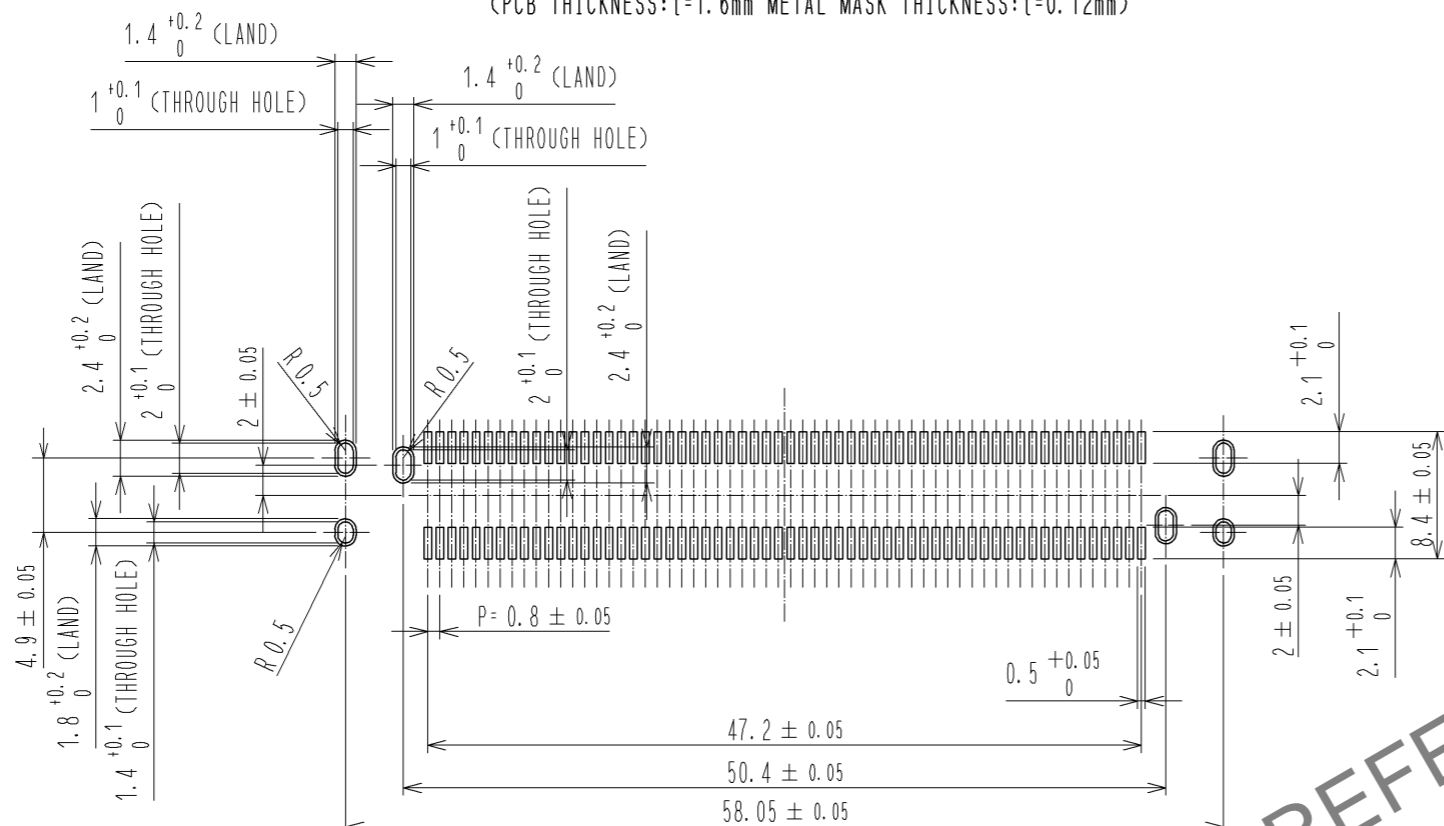


- NOTE 1 LEAD CO-PLANARITY IS 0.1mm MAX.
 2 CONTACTS ARE 3 STEPS SEQUENTIAL. (MF CONTACT A->SIGNAL CONTACT->MF CONTACT B) WHEN USING THIS SEQUENTIAL STRUCTURE, PLEASE AVOID ANGLED INSERTION.
 3 MF CONTACT A AND MF CONTACT B CAN BE USED AS POWER SUPPLY CONTACT. (3A/PIN MAX)
 4 IT SHOWS THE VACUUM PICKUP AREA. (SEE PAGE 2) REMOVE THE MYLAR TAPE BEFORE MATING CONNECTORS.
 5 THIS IS PACKAGED IN TRAY. (40pcs/TRAY)
 6 BLEMISH AND HIT MARK CAN BE OCCURED THROUGH OUT THE MANUFACTURING PROCESS WHICH DOESN' T AFFECT QUALITY LEVEL.
 7 THE DIMENSIONS IN PARENTHESES ARE FOR REFERENCES.

6	POLYIMIDE							
5	POLYSTYRENE							
4	COPPER ALLOY	CONTACT AREA:GOLD 0.1 μm						
		LEAD AREA:TIN-PLATING 1 μm						
		UNDER PLATING:NICKEL 1.3 μm						
3	COPPER ALLOY	CONTACT AREA:GOLD 0.1 μm						
		LEAD AREA:TIN-PLATING 1 μm						
		UNDER PLATING:NICKEL 1.3 μm						
2	COPPER ALLOY	CONTACT AREA:GOLD 0.1 μm						
		LEAD AREA:GOLD 0.03 μm						
		UNDER PLATING:NICKEL 1.3 μm						
1	POLYAMIDE	BLACK UL94V-0						
NO.	MATERIAL	FINISH	REMARKS	NO.	MATERIAL	FINISH	REMARKS	
UNITS	mm	SCALE	2 : 1	COUNT	DESCRIPTION OF REVISIONS	DESIGNED	CHECKED	DATE
APPROVED : HS. OKAWA		14.07.16		DRAWING NO.		EDC3-349391-00		
CHECKED : HT. YAMAGUCHI		14.07.15		PART NO.		FX18-120S-0.8SV10		
DESIGNED : TH. SANO		14.07.15		CODE NO.		CL579-0059-2-00		
DRAWN : TH. SANO		14.07.15						

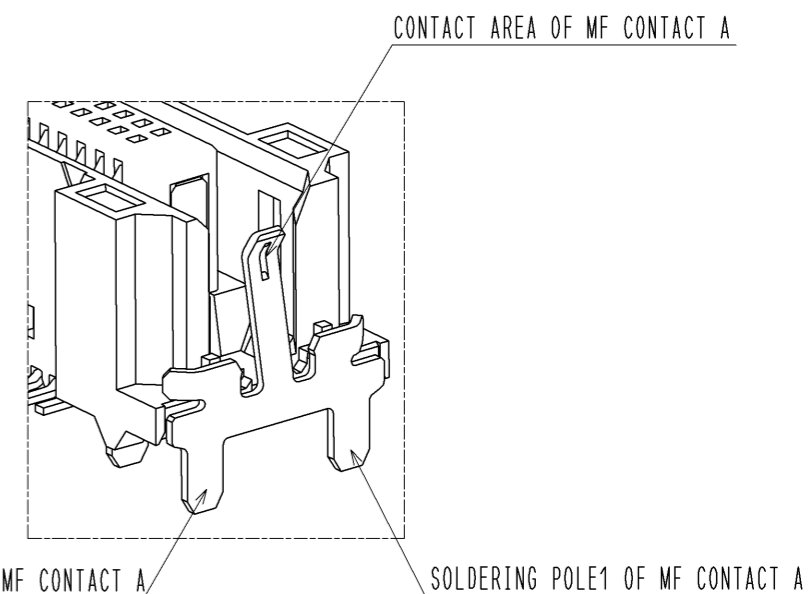
Feb.1.2025 Copyright 2025 HIROSE ELECTRIC CO., LTD. All Rights Reserved.
In case of consideration for using Automotive equipment / device which demand high reliability, kindly contact our sales window correspondents.

RECOMMENDED LAND PATTERN DIMENSION OF PCB(2:1)
(PCB THICKNESS:t=1.6mm METAL MASK THICKNESS:t=0.12mm)

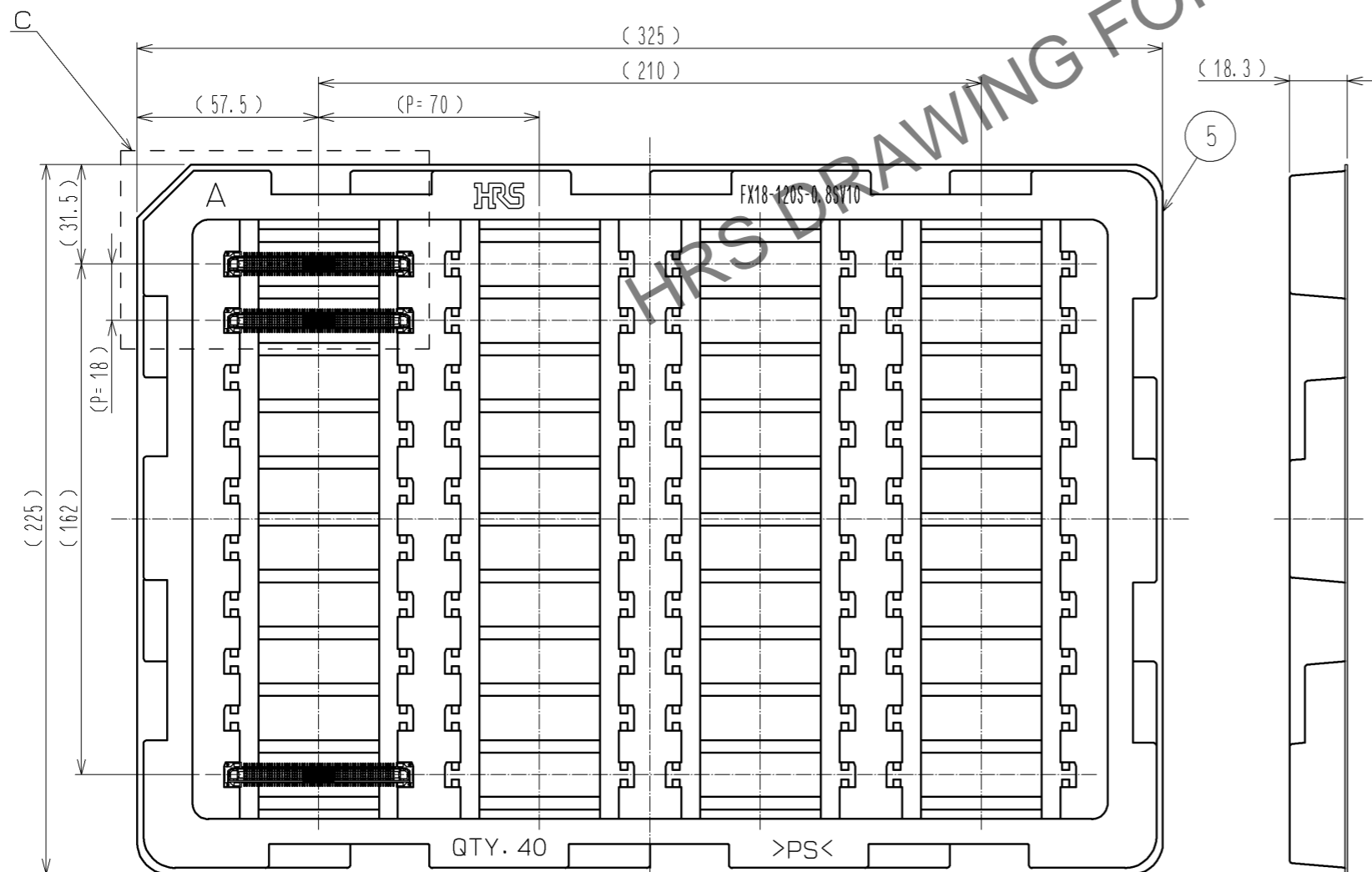


5 DRAWING FOR PACKING(1:2)

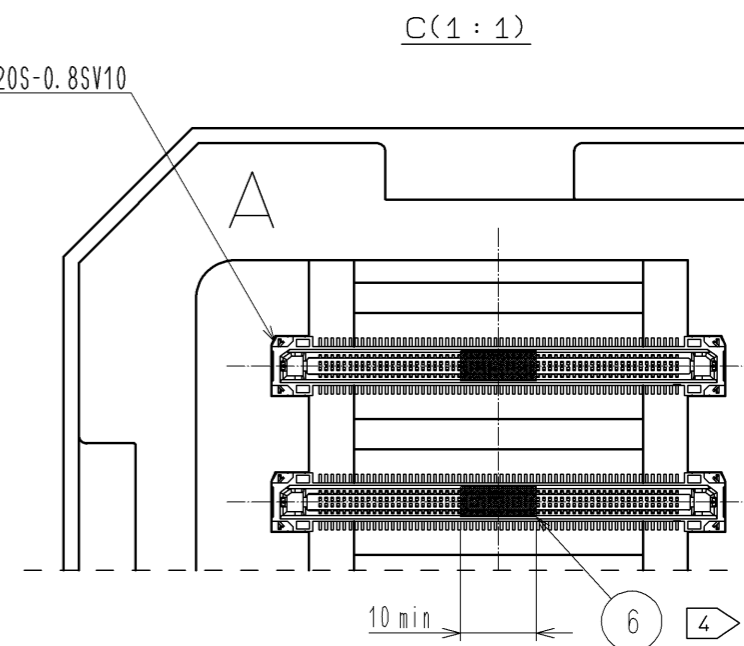
8 CONFIGURATION OF MF CONTACT A



NOTE 8 SOLDERING LEAD OF MF CONTACT A SPLITS INTO TWO POLES.
BE SURE TO CONNECT TO THE SAME CIRCUIT.



FX18-120S-0.8SV10



HRS

DRAWING NO.	EDC3-349391-00
PART NO.	FX18-120S-0.8SV10
CODE NO.	CL579-0059-2-00

2/2