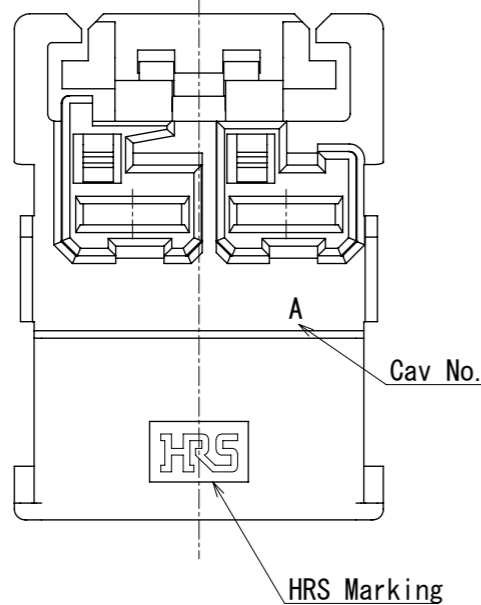
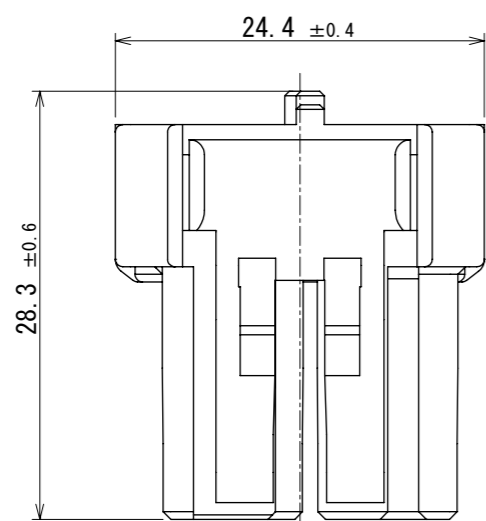
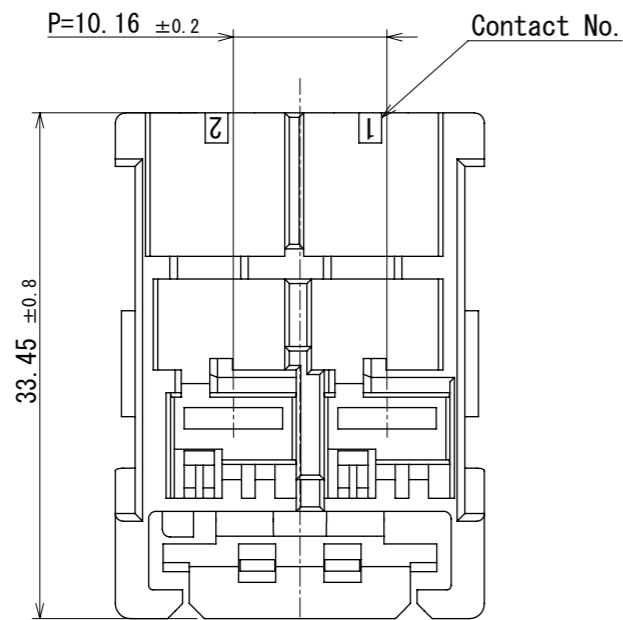
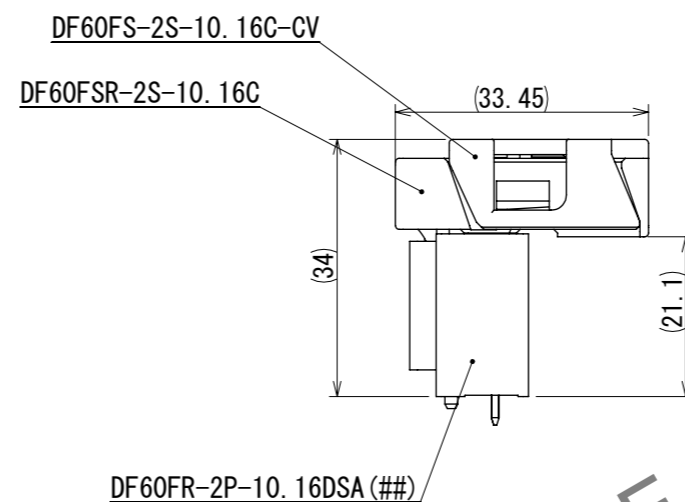


Feb.1.2025 Copyright 2025 HIROSE ELECTRIC CO., LTD. All Rights Reserved.  
 In case of consideration for using Automotive equipment / device which demand high reliability, kindly contact our sales window correspondents.

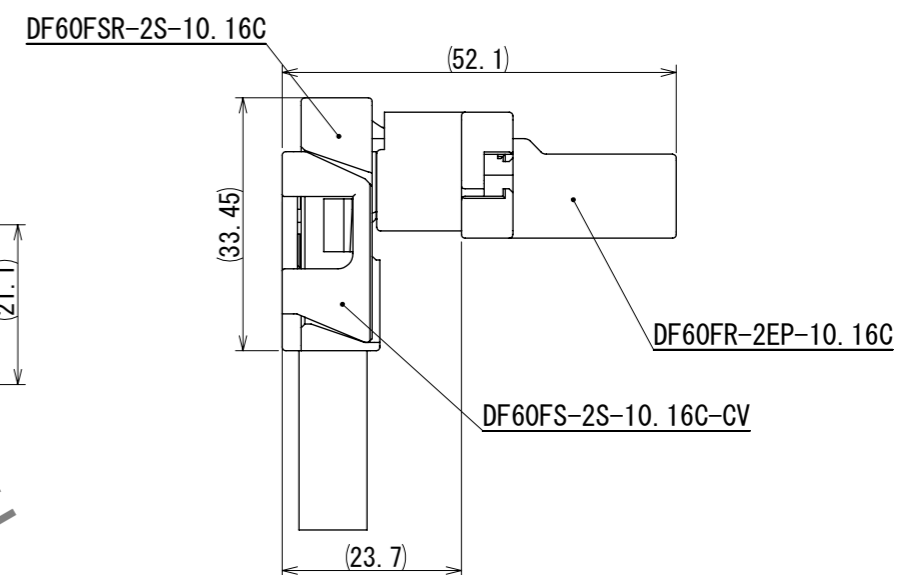
### Mating state figure



#### Straight for PCB



#### In-line



HRS DRAWING FOR REFERENCE

- Note 1. 100 Pieces / Pack  
 2. Please refer to the technical specification (ETAP-H1020-00) for the packing type.  
 3. Please refer to the technical specification (ETAD-H0654-00, ETAD-H0653-00) for handling.  
 4. There may be minor scratches, however does not affect performance.

NO.	MATERIAL	FINISH	REMARKS
1	PBT	Red, UL94V-0	

UNITS	SCALE	COUNT	DESCRIPTION OF REVISIONS	DESIGNED	CHECKED	DATE
mm	2:1	△				

APPROVED : SJ. OKAMURA	2023. 10. 19	DRAWING NO.	EDC-402757-00-00
CHECKED : TT. OHSAKO	2023. 10. 19	PART NO.	DF60FSR-2S-10. 16C
DESIGNED : KT. NUMATA	2023. 10. 18	CODE NO.	CL0680-4017-0-00
DRAWN : SK. CHIBA	2023. 10. 18		

