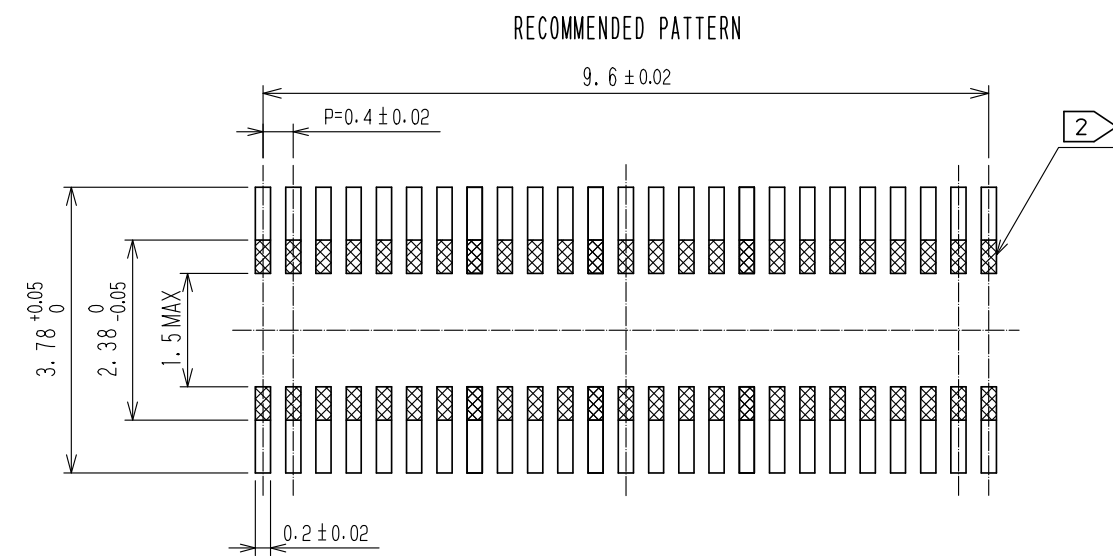
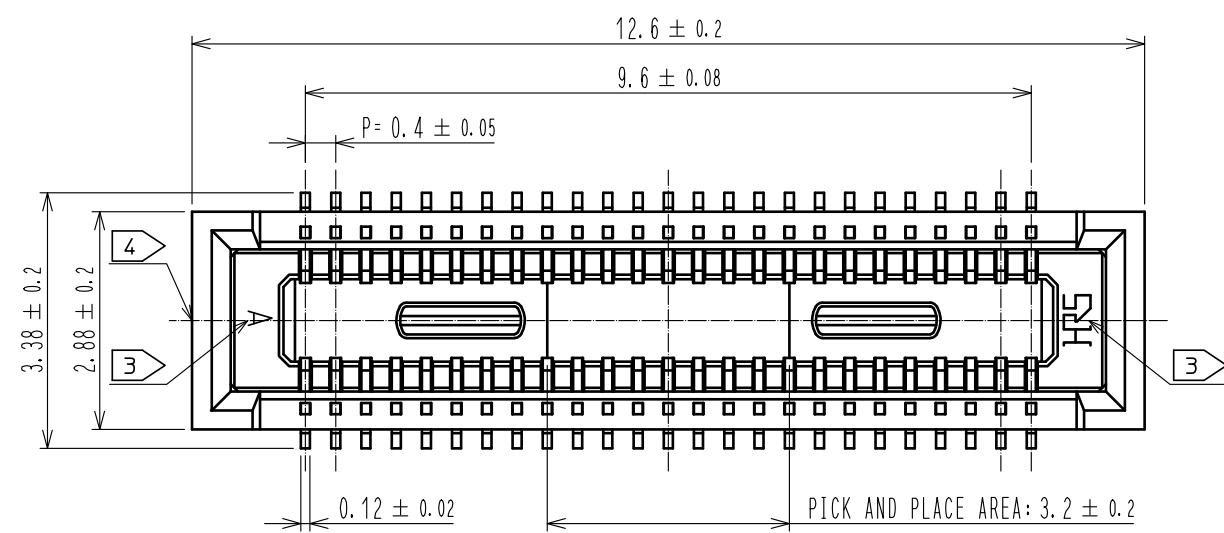
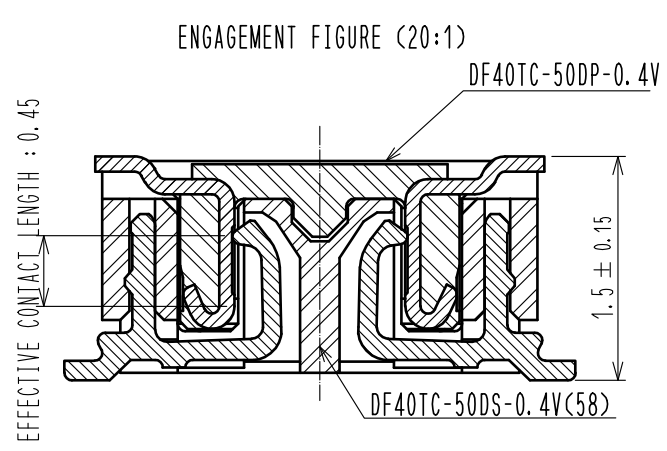
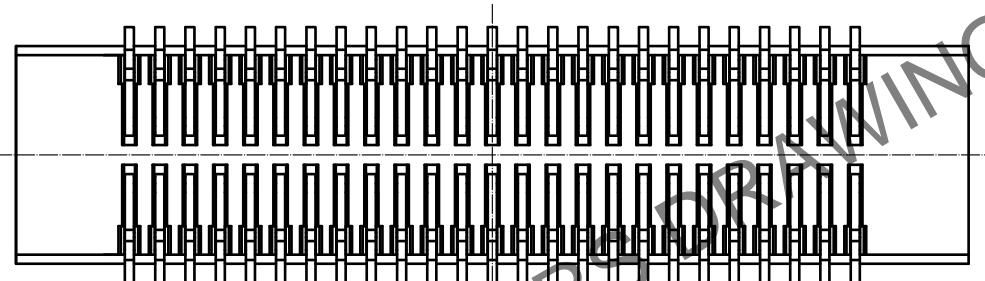
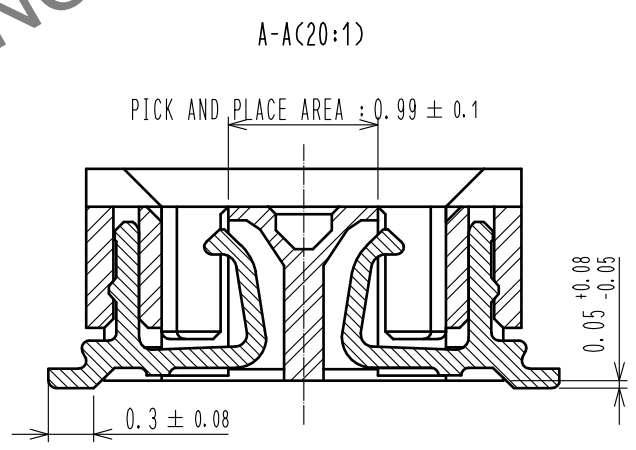
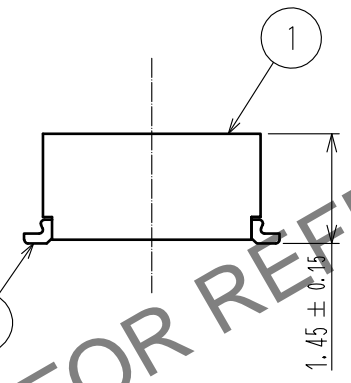
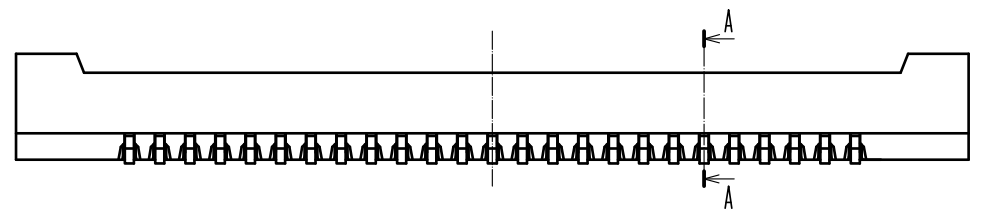


Mar.1.2025 Copyright 2025 HIROSE ELECTRIC CO., LTD. All Rights Reserved.  
In case of consideration for using Automotive equipment / device which demand high reliability, kindly contact our sales window correspondents.



RECOMMENDED METAL MASK THICKNESS: 120 μm  
RECOMMENDED MASK OPENING RATIO: 80% FOR LEAD PAD



- NOTES) 1. ALL LEADS METAL FITTINGS CO-PLANARITY SHALL BE 0.1mm MAX.  
 2. IS NO PATTERN AREA OTHER THAN THE SAME CIRCUIT.  
 3. HRS MARK AND CAV NO. ARE INDICATED IN APPROXIMAL POSITION SHOWN.  
 4. GATE IS LOCATED IN APPROXIMAL AREA.

NO.	MATERIAL	FINISH .	REMARKS	NO.	MATERIAL	FINISH .	REMARKS
2	COPPER ALLOY	CONTACT AREA:GOLD	0.05 μm MIN	6	PS	CLEAR.	REINFORCEMENT COLLAR
		SMT LEAD:GOLD	0.05 μm MIN	5	PS	BLACK.	PLASTIC REEL
		UNDERPLATING:NICKEL	1 μm MIN	4	POLYESTER	CLEAR.	COVER TAPE
1	LCP	BLACK.	UL94V-0	3	PS	CLEAR.	EMBOSSED CARRIER TAPE

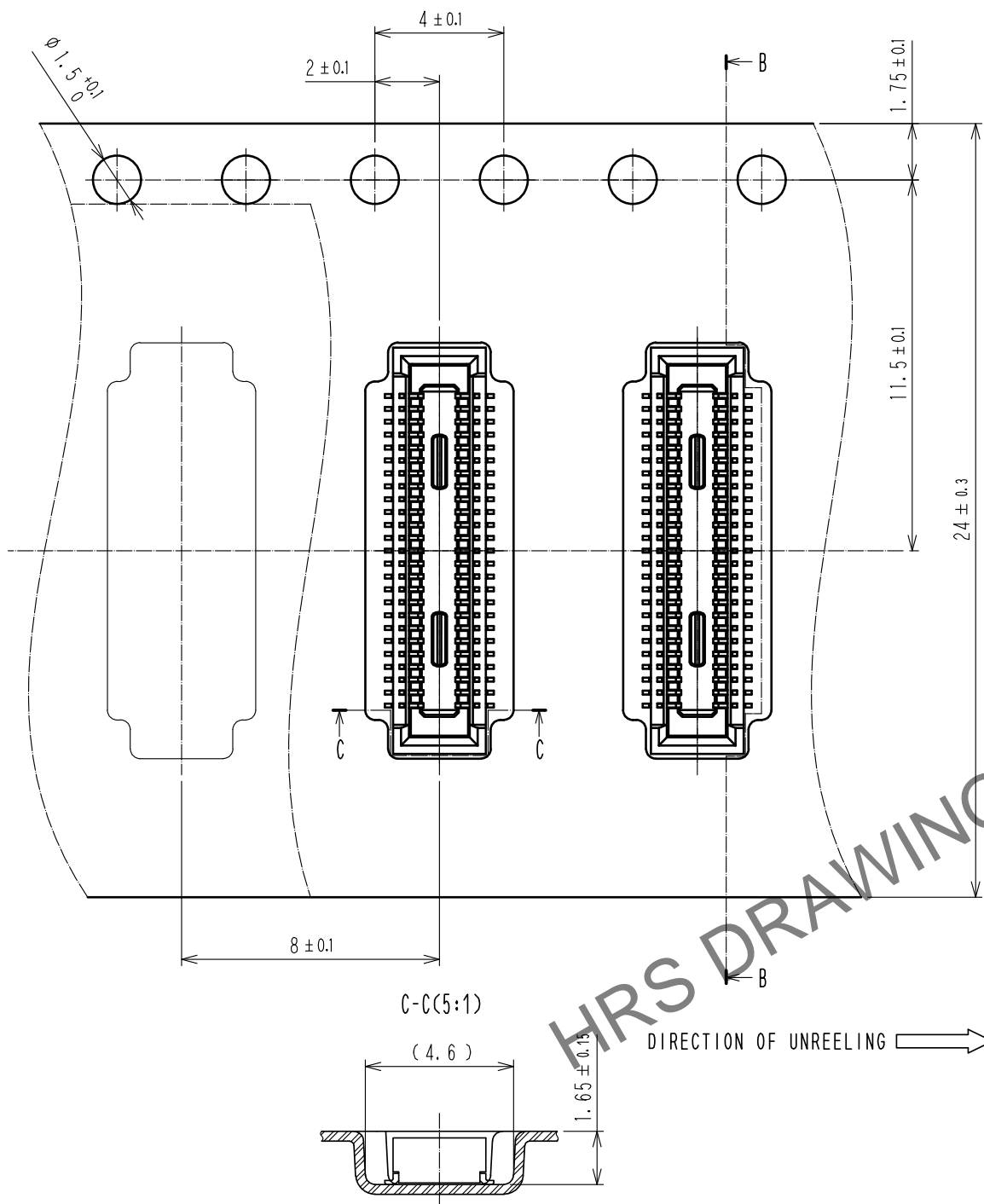
UNITS	SCALE	COUNT	DESCRIPTION OF REVISIONS	DESIGNED	CHECKED	DATE
mm	10 : 1	△	APPROVED : WR. FUKUCHI 20210303			
			CHECED : TS. MIYAZAKI 20210303			
			DESIGNED : YK. SATAKE 20210303			
			DRAWN : YK. SATAKE 20210303			

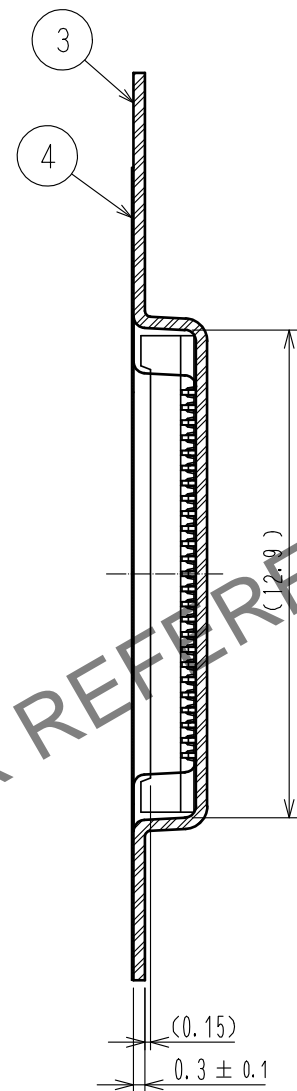
DRAWING NO.	PART NO.	CODE NO.
EDC-384792-58-00	DF40TC-50DS-0.4V(58)	CL0684-4249-0-58

Mar.1.2025 Copyright 2025 HIROSE ELECTRIC CO., LTD. All Rights Reserved.  
In case of consideration for using Automotive equipment / device which demand high reliability, kindly contact our sales window correspondents.

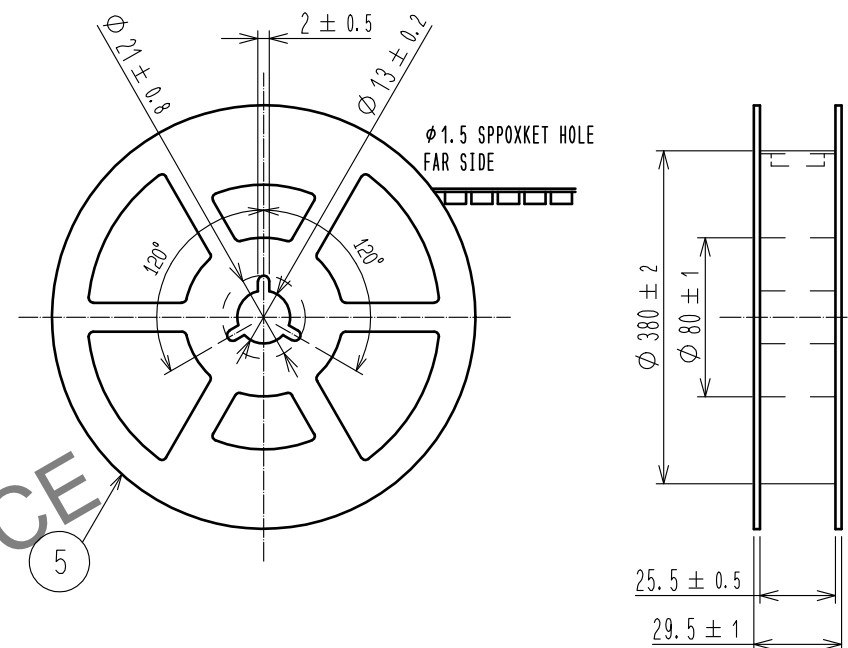
EMBOSSED CARRIER TAPE PACKAGING(5:1)



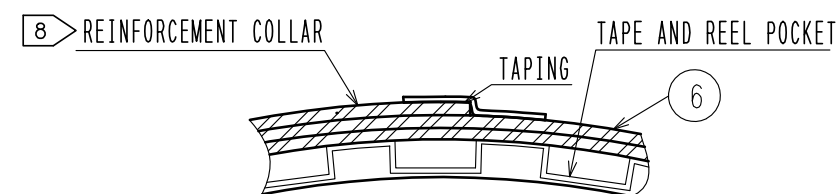
B-B(5:1)



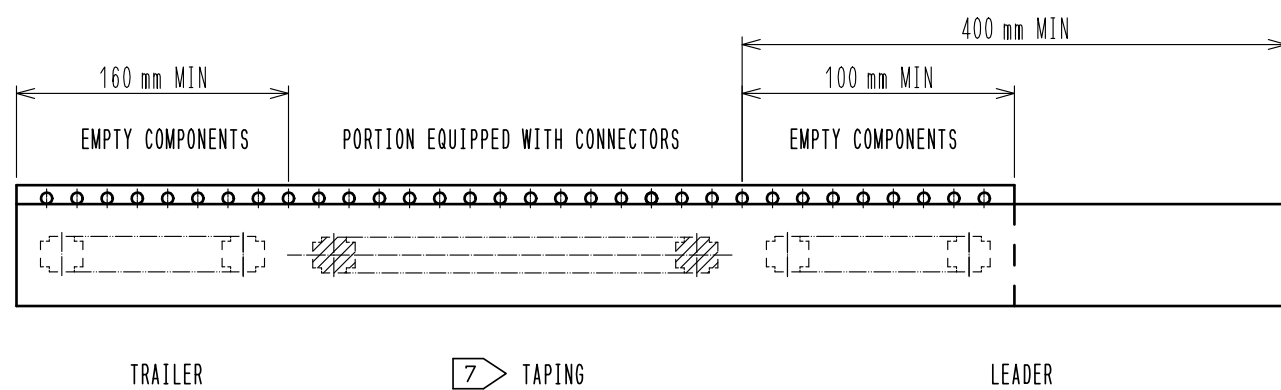
STYLE AND DIMENSION OF REEL(FREE)



D-D(FREE)



- NOTES
- 5. PER REEL 1000 CONNECTORS.
  - 6. THE DIMENSIONS IN PARENTHESES ARE FOR REFERENCE.
  - 7. REFER TO JIS C 0806(PACKING OF COMPONENTS FOR AUTOMATIC HANDLING)
  - 8. AFTER PACKAGING. ROLL 2 METERS OF THE REINFORCEMENT COLLAR TO OUTER CIRCUMFERENCE OF TAPE AND REEL POCKET. AND TAPE DOWN AT THE END THE COLLAR.



<b>HRS</b>	DRAWING NO.	EDC-384792-58-00
	PART NO.	DF40TC-50DS-0.4V(58)
	CODE NO.	CL0684-4249-0-58
		2/2