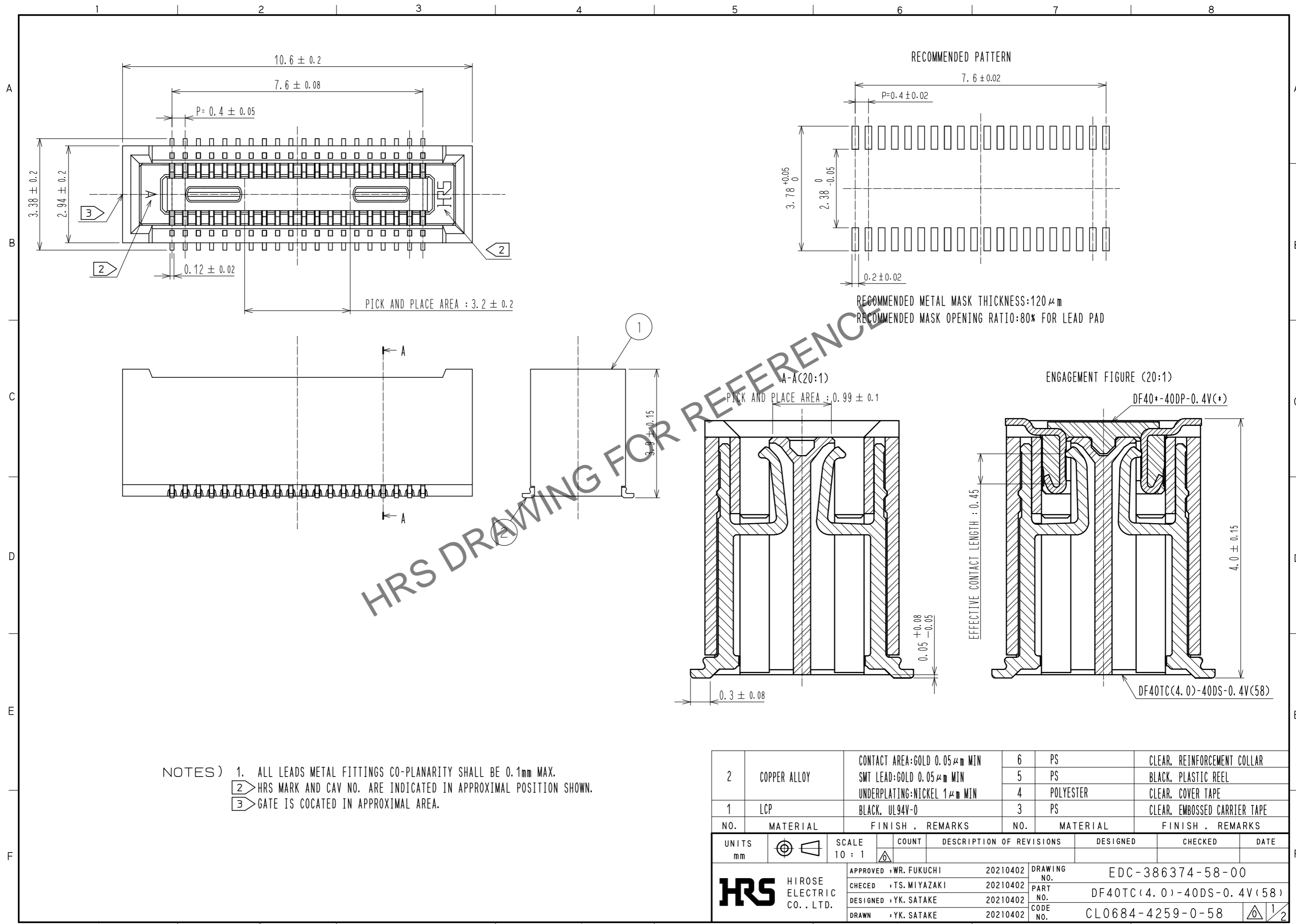


Feb.1.2025 Copyright 2025 HIROSE ELECTRIC CO., LTD. All Rights Reserved.  
 In case of consideration for using Automotive equipment / device which demand high reliability, kindly contact our sales window correspondents.



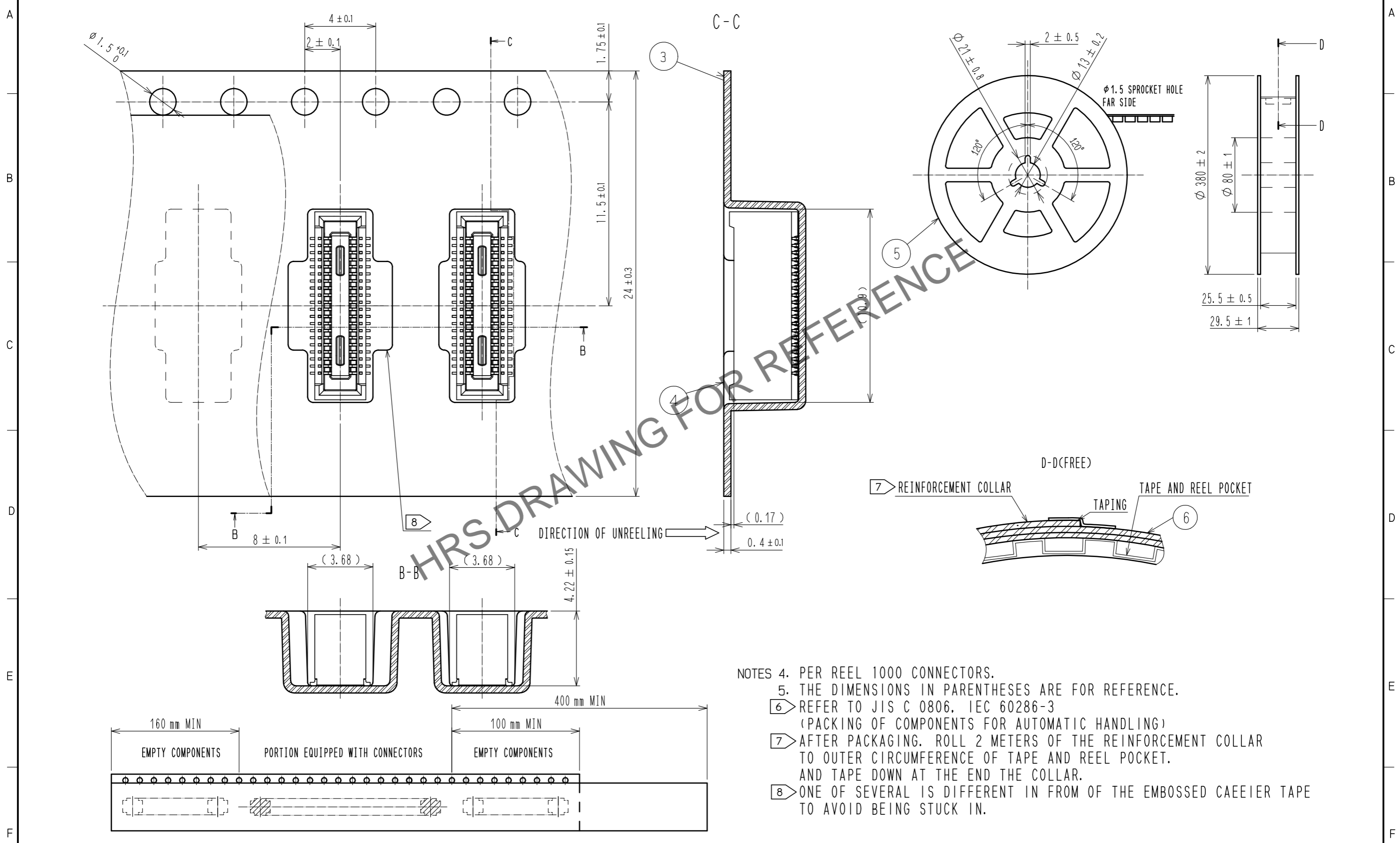
NOTES ) 1. ALL LEADS METAL FITTINGS CO-PLANARITY SHALL BE 0.1mm MAX.  
 2 HRS MARK AND CAV NO. ARE INDICATED IN APPROXIMAL POSITION SHOWN.  
 3 GATE IS COATED IN APPROXIMAL AREA.

2	COPPER ALLOY	CONTACT AREA:GOLD $0.05 \mu\text{m}$ MIN SMT LEAD:GOLD $0.05 \mu\text{m}$ MIN UNDERPLATING:NICKEL $1 \mu\text{m}$ MIN	6	PS	CLEAR, REINFORCEMENT COLLAR
			5	PS	BLACK, PLASTIC REEL
			4	POLYESTER	CLEAR, COVER TAPE
1	LCP	BLACK, UL94V-0	3	PS	CLEAR, EMBOSSED CARRIER TAPE
NO.	MATERIAL	FINISH, REMARKS	NO.	MATERIAL	FINISH, REMARKS
UNITS mm		SCALE 10 : 1	COUNT	DESCRIPTION OF REVISIONS	DESIGNED
					CHECKED
					DATE
APPROVED : WR. FUKUCHI 20210402			DRAWING NO. EDC-386374-58-00		
CHECKED : TS. MIYAZAKI 20210402			PART NO. DF40TC(4.0)-40DS-0.4V(58)		
DESIGNED : YK. SATAKE 20210402			CODE NO. CL0684-4259-0-58		
DRAWN : YK. SATAKE 20210402					

Feb.1.2025 Copyright 2025 HIROSE ELECTRIC CO., LTD. All Rights Reserved.  
 In case of consideration for using Automotive equipment / device which demand high reliability, kindly contact our sales window correspondents.

EMBOSSED CARRIER TAPE PACKAGING (5:1)

STYLE AND DIMENSION OF REEL(FREE)



HRS DRAWING FOR REFERENCE

- NOTES
4. PER REEL 1000 CONNECTORS.
  5. THE DIMENSIONS IN PARENTHESES ARE FOR REFERENCE.
  6. REFER TO JIS C 0806, IEC 60286-3 (PACKING OF COMPONENTS FOR AUTOMATIC HANDLING)
  7. AFTER PACKAGING, ROLL 2 METERS OF THE REINFORCEMENT COLLAR TO OUTER CIRCUMFERENCE OF TAPE AND REEL POCKET. AND TAPE DOWN AT THE END THE COLLAR.
  8. ONE OF SEVERAL IS DIFFERENT IN FROM OF THE EMBOSSED CARRIER TAPE TO AVOID BEING STUCK IN.

<b>HRS</b>	DRAWING NO.	EDC-386374-58-00	
	PART NO.	DF40TC(4.0)-40DS-0.4V(58)	
	CODE NO.	CL0684-4259-0-58	2/2