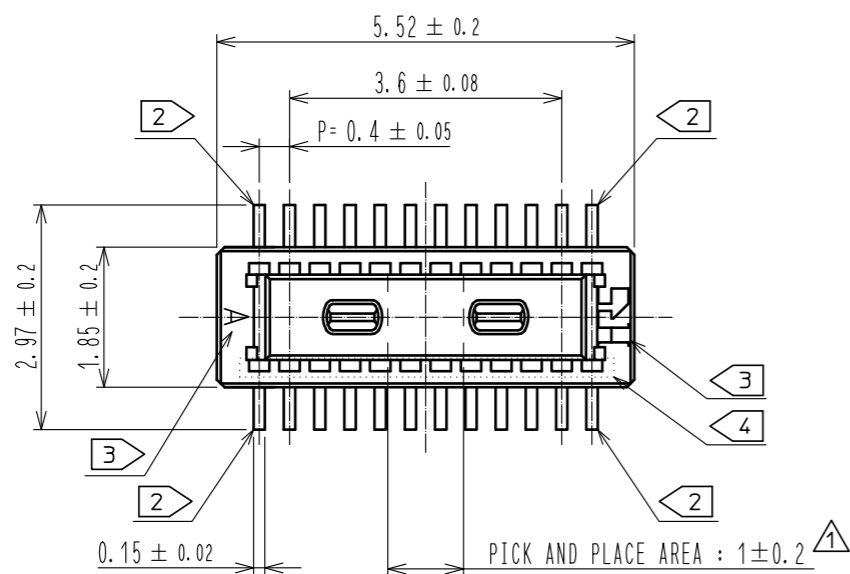
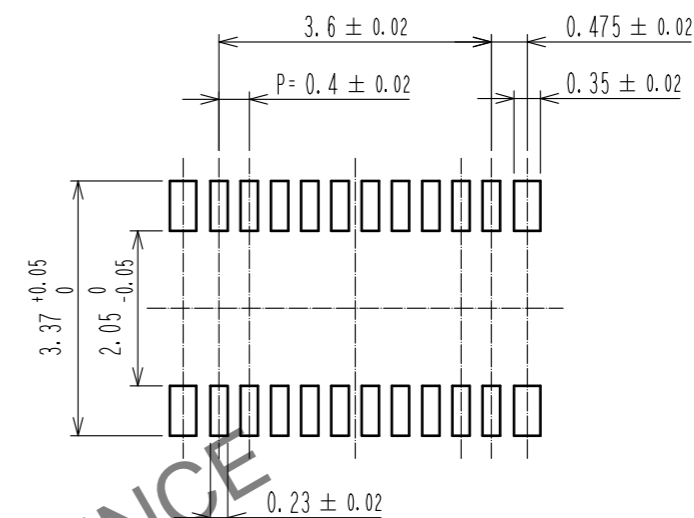


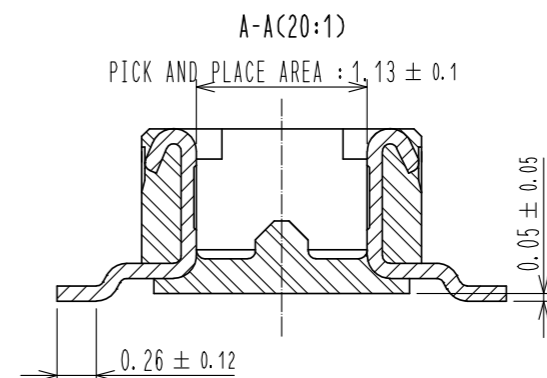
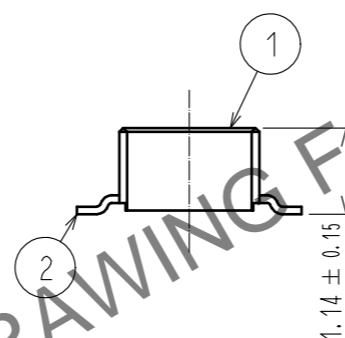
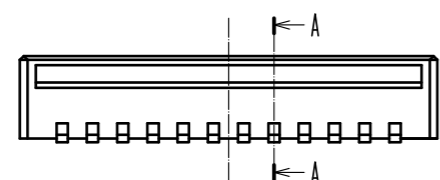
Mar.1.2025 Copyright 2025 HIROSE ELECTRIC CO., LTD. All Rights Reserved.  
In case of consideration for using Automotive equipment / device which demand high reliability, kindly contact our sales window correspondents.



RECOMMENDED PATTERN



RECOMMENDED METAL MASK THICKNESS: 120 μm  
RECOMMENDED METAL MASK OPENING RATIO: 80% FOR LEAD PAD



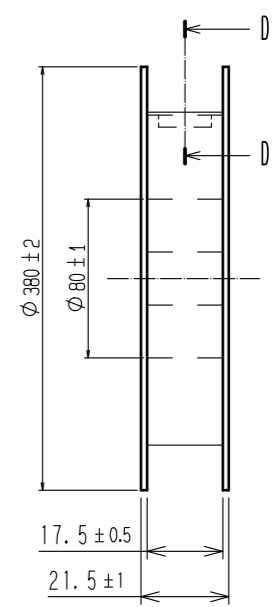
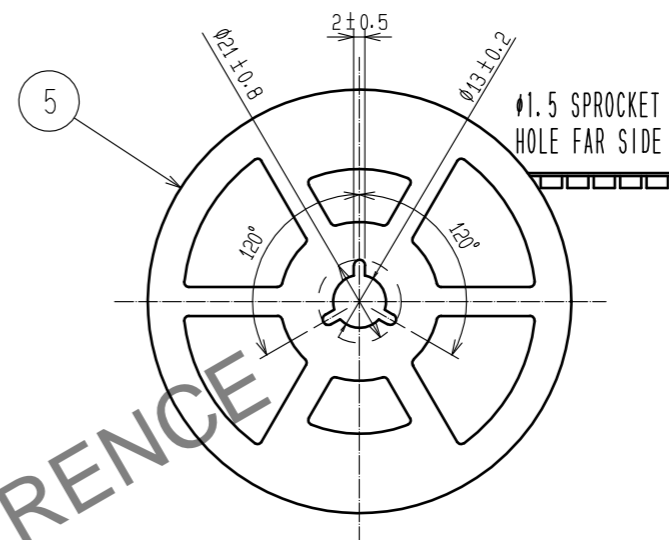
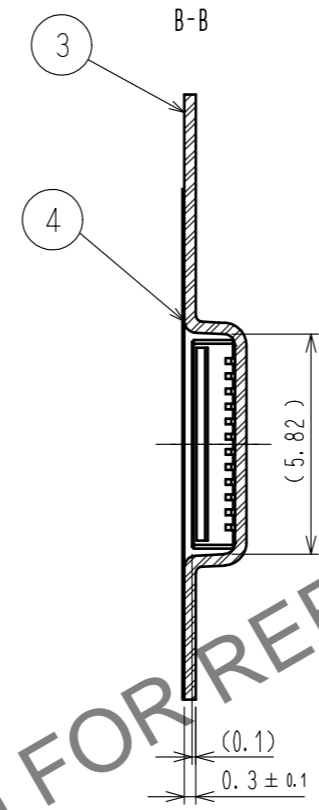
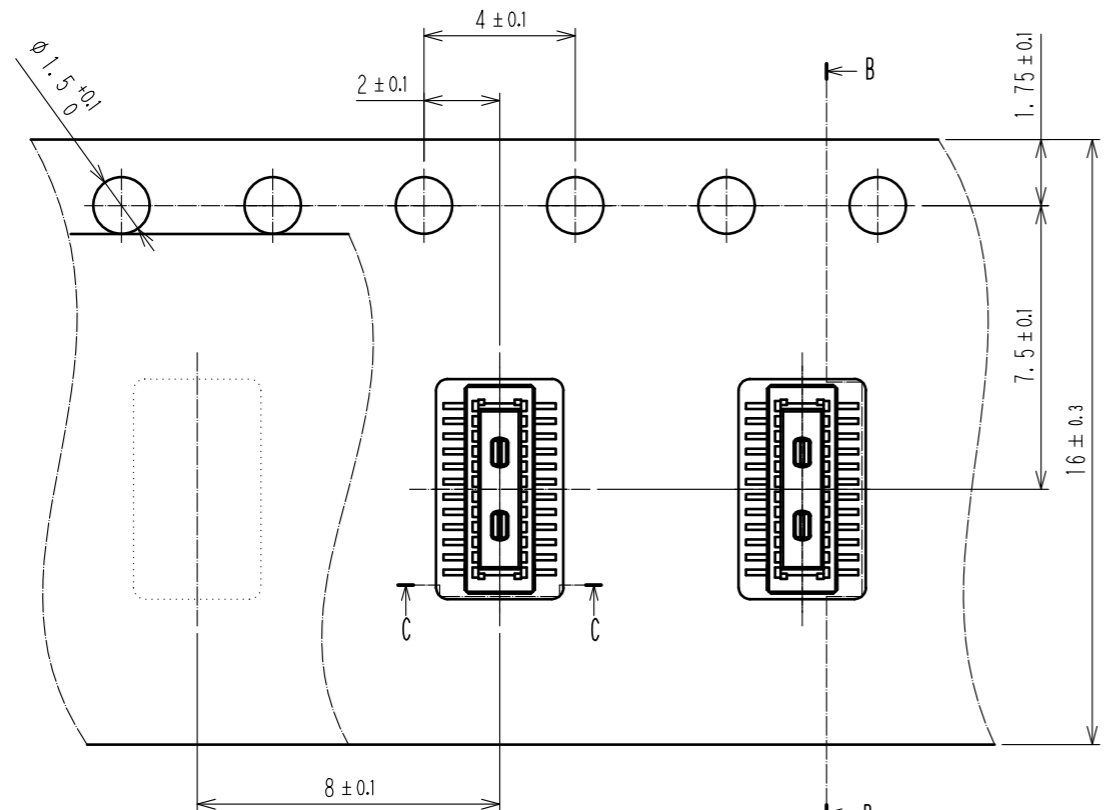
- NOTES)
- 1. ALL LEADS CO-PLANARITY SHALL BE 0.1mm MAX.
  - 2. EACH ONE CONTACT AT 4 CORNERS SHALL BE USED AS METAL HOLD DOWN.
  - 3. HRS MARK AND CAV NO. ARE LOCATED IN APPROXIMAL AREA.
  - 4. THERE IS A POSSIBILITY THAT THE RESIN WILL BE EXPOSED AT THIS AREA. BUT THIS WILL NOT AFFECT THE CONTACT RELIABILITY.

| 2                                    | COPPER ALLOY | CONTACT AREA: GOLD 0.05 μm MIN<br>SMT LEAD: GOLD 0.05 μm MIN<br>UNDERPLATING: NICKEL 1 μm MIN | 6        | PS                            | CLEAR, REINFORCEMENT COLLAR  |            |              |          |
|--------------------------------------|--------------|---|----------|-------------------------------|------------------------------|------------|--------------|----------|
|                                      |              |   | 5        | PS                            | BLACK                        |            |              |          |
|                                      |              |   | 4        | POLYESTER                     | CLEAR, COVER TAPE            |            |              |          |
| 1                                    | LCP          | BLACK, UL94V-0  | 3        | PS                            | CLEAR, EMBOSSED CARRIER TAPE |            |              |          |
| NO.                                  | MATERIAL     | FINISH . REMARKS  | NO.      | MATERIAL                      | FINISH . REMARKS             |            |              |          |
| UNITS                                | ⊕            | SCALE   | COUNT    | DESCRIPTION OF REVISIONS      |                              | DESIGNED   | CHECKED      | DATE     |
| mm                                   |              | 10: 1   | 1        | DIS-H-00011253                |                              | YK. SATAKE | TS. MIYAZAKI | 20211013 |
| <b>HRS</b> HIROSE ELECTRIC CO., LTD. |              | APPROVED : WR. FUKUCHI  | 20210303 | DRAWING NO. EDC-386693-58-00  |                              |            |              |          |
|                                      |              | CHECED : TS. MIYAZAKI   | 20210303 | PART NO. DF40TC-20DP-0.4V(58) |                              |            |              |          |
|                                      |              | DESIGNED : YK. SATAKE   | 20210303 | CODE NO. CL0684-4262-0-58     |                              |            |              |          |
|                                      |              | DRAWN : YK. SATAKE  | 20210303 |                               |                              |            |              |          |

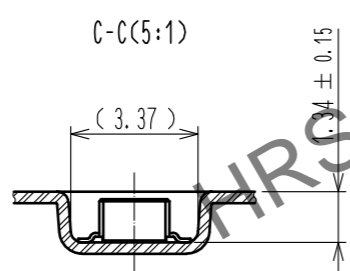
Mar.1.2025 Copyright 2025 HIROSE ELECTRIC CO., LTD. All Rights Reserved.  
 In case of consideration for using Automotive equipment / device which demand high reliability, kindly contact our sales window correspondents.

EMBOSSED CARRIER TAPE PACKAGING(5:1)

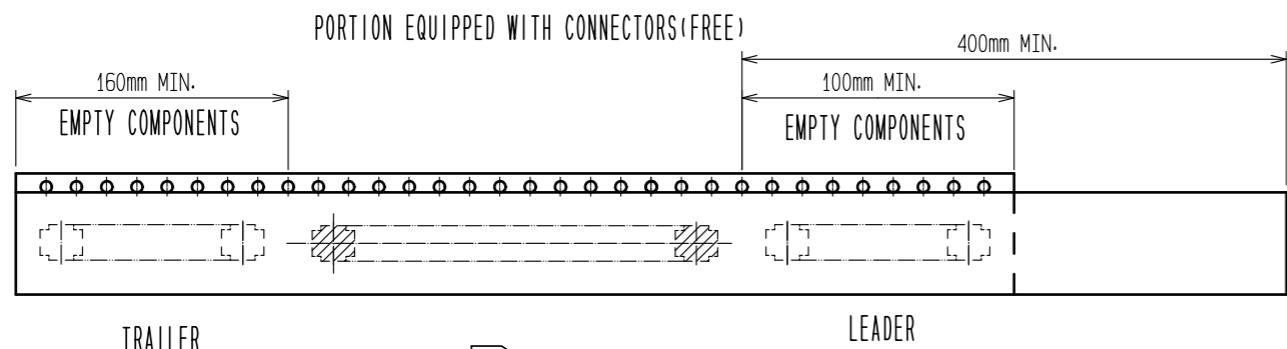
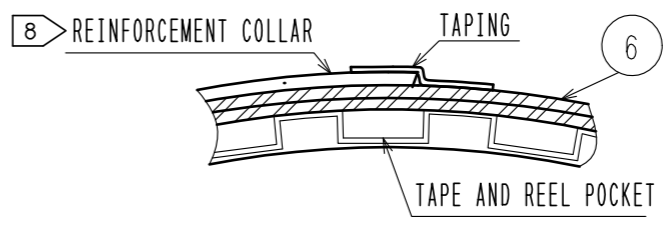
STYLE AND DIMENSIONS OF REEL(FREE)



DIRECTION OF UNREELING →



D-D (FREE)



- NOTES
- 5. PER REEL 1000 CONNECTORS.
  - 6. THE DIMENSIONS IN PARENTHESES ARE FOR REFERENCE.
  - 7. REFER TO JIS C 0806 (IEC 60286-3)  
(PACKING OF COMPONENTS FOR AUTOMATIC HANDLING)
  - 8. AFTER PACKAGING. ROLL 2 METER OF THE REINFORCEMENT COLLAR TO OUTER CIRCUMFERENCE OF TAPE AND REEL POCKET. AND TAPE DOWN AT THE END THE COLLAR.

|            |             |                      |
|------------|-------------|----------------------|
| <b>HRS</b> | DRAWING NO. | EDC-386693-58-00     |
|            | PART NO.    | DF40TC-20DP-0.4V(58) |
|            | CODE NO.    | CL0684-4262-0-58     |
|            |             | 2/2                  |