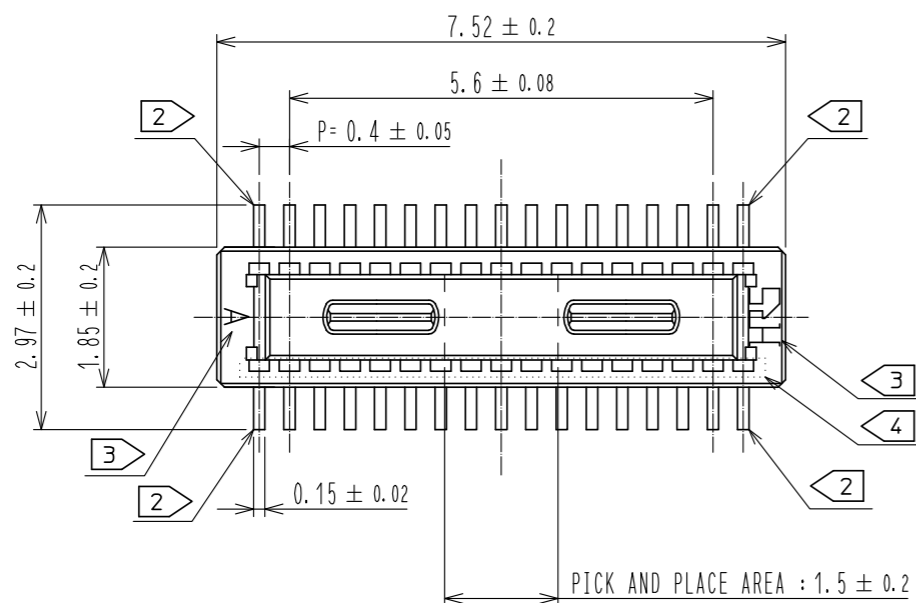
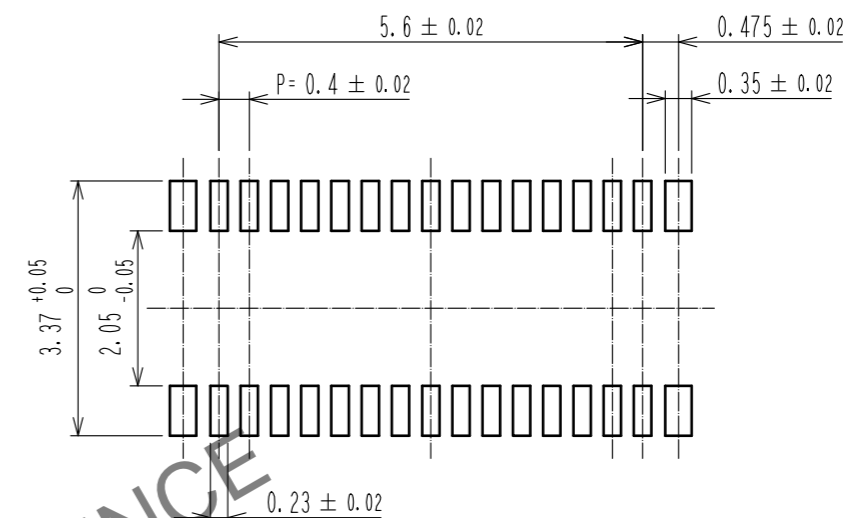


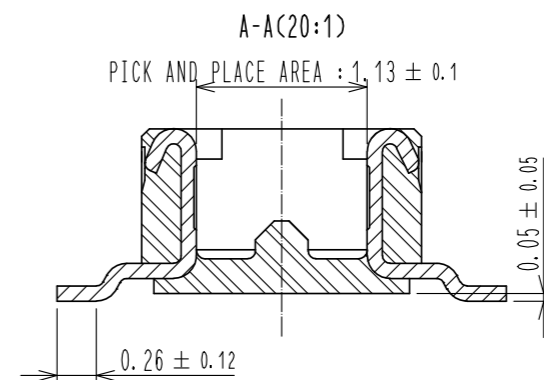
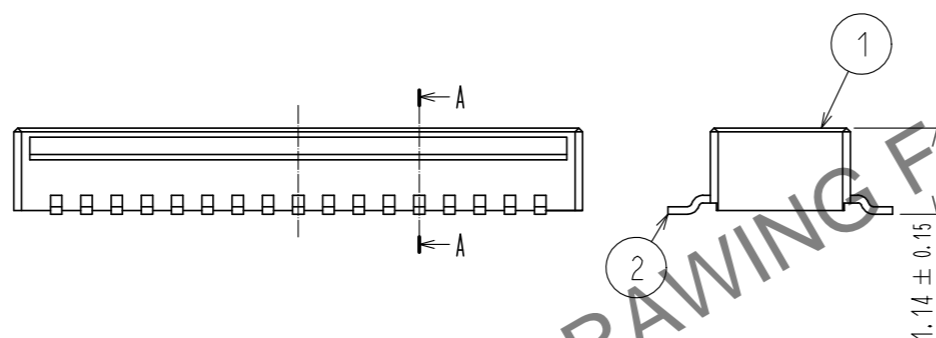
Mar.1.2025 Copyright 2025 HIROSE ELECTRIC CO., LTD. All Rights Reserved.
In case of consideration for using Automotive equipment / device which demand high reliability, kindly contact our sales window correspondents.



RECOMMENDED PATTERN



RECOMMENDED METAL MASK THICKNESS: 120 μm
RECOMMENDED METAL MASK OPENING RATIO: 80% FOR LEAD PAD

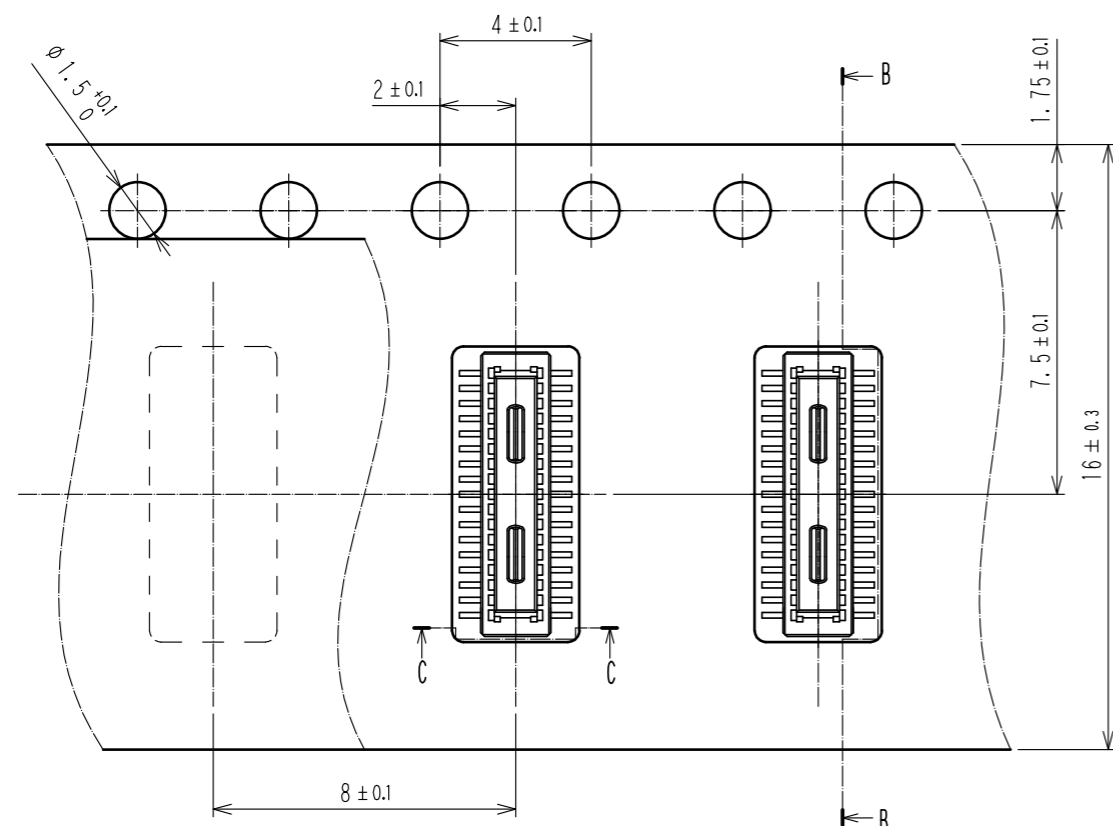


- NOTES)
1. ALL LEADS CO-PLANARITY SHALL BE 0.1mm MAX.
 2. EACH ONE CONTACT AT 4 CORNERS SHALL BE USED AS METAL HOLD DOWN.
 3. HRS MARK AND CAV NO. ARE LOCATED IN APPROXIMAL AREA.
 4. THERE IS A POSSIBILITY THAT THE RESIN WILL BE EXPOSED AT THIS AREA. BUT THIS WILL NOT AFFECT THE CONTACT RELIABILITY.

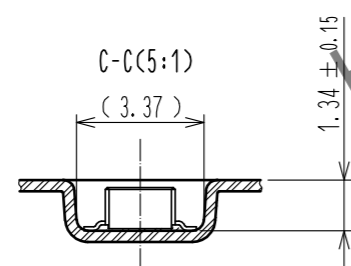
2	COPPER ALLOY	CONTACT AREA: GOLD 0.05 μm MIN	6	PS	CLEAR, REINFORCEMENT COLLAR			
		SMT LEAD: GOLD 0.05 μm MIN	5	PS	BLACK			
		UNDERPLATING: NICKEL 1 μm MIN	4	POLYESTER	CLEAR, COVER TAPE			
1	LCP	BLACK, UL94V-0	3	PS	CLEAR, EMBOSSED CARRIER TAPE			
NO.	MATERIAL	FINISH . REMARKS	NO.	MATERIAL	FINISH . REMARKS			
UNITS mm		SCALE 10:1	COUNT	DESCRIPTION OF REVISIONS		DESIGNED	CHECKED	DATE
APPROVED : WR. FUKUCHI			20210303	DRAWING NO.		EDC-386694-58-00		
CHECKED : TS. MIYAZAKI			20210303	PART NO.		DF40TC-30DP-0.4V(58)		
DESIGNED : YK. SATAKE			20210303	CODE NO.		CL0684-4263-0-58		
DRAWN : YK. SATAKE			20210303					

Mar.1.2025 Copyright 2025 HIROSE ELECTRIC CO., LTD. All Rights Reserved.
 In case of consideration for using Automotive equipment / device which demand high reliability, kindly contact our sales window correspondents.

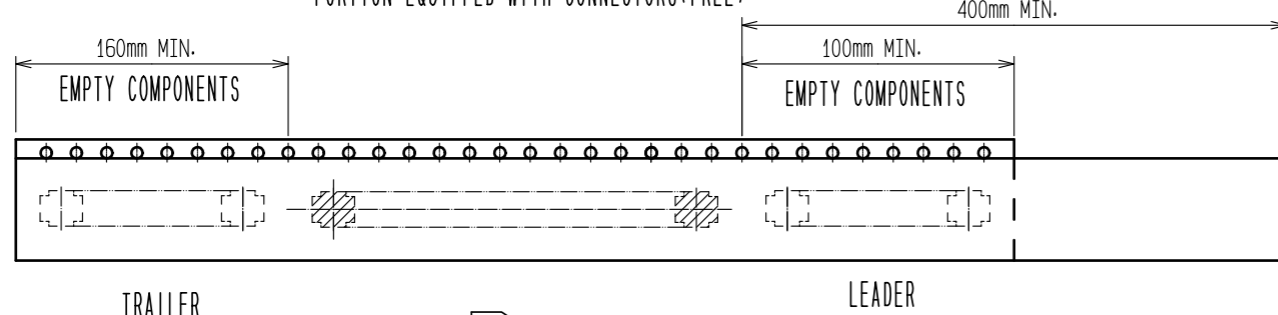
EMBOSSED CARRIER TAPE PACKAGING(5:1)



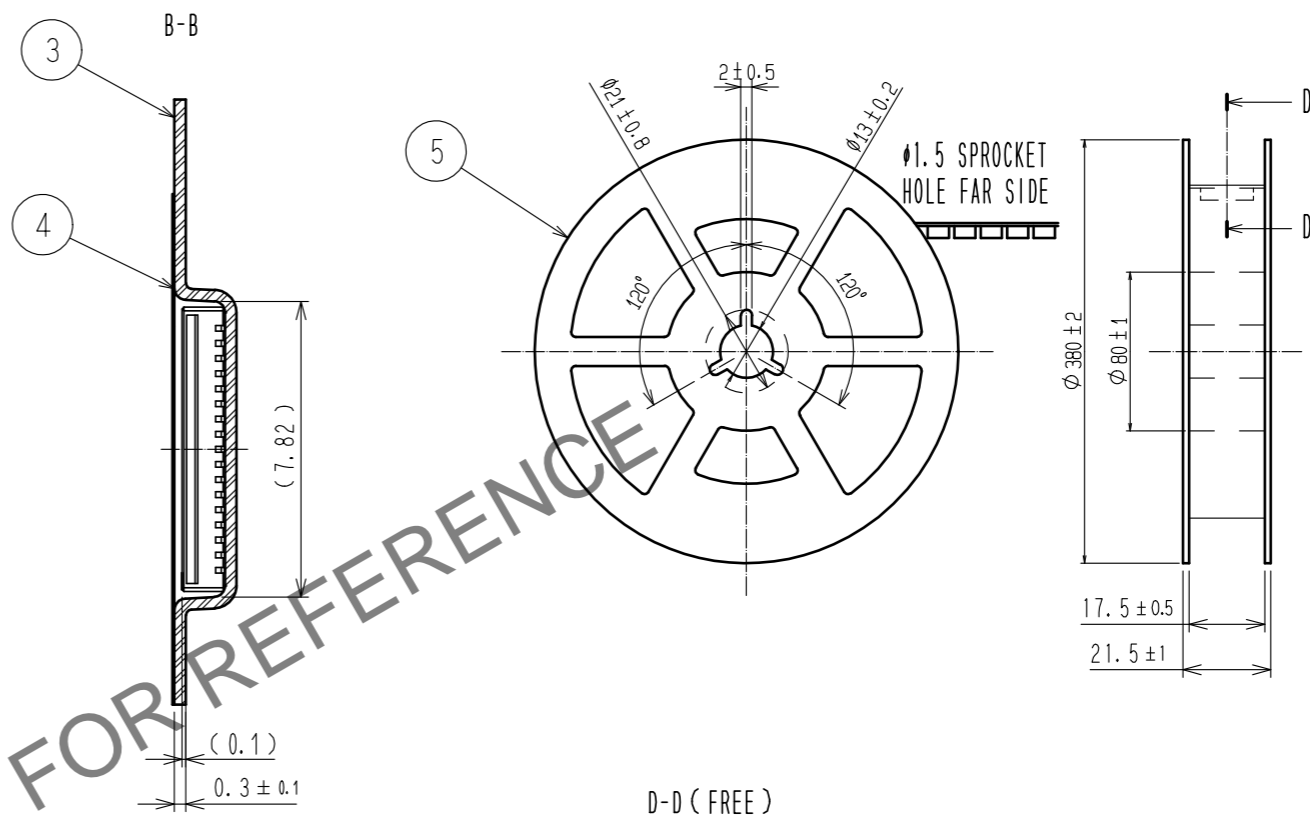
DIRECTION OF UNREELING \rightarrow



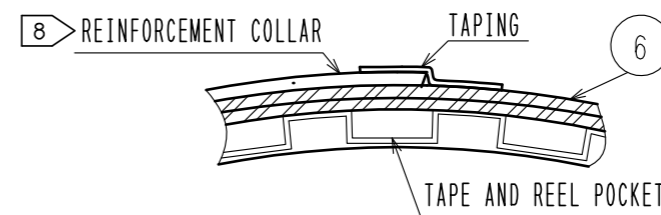
PORTION EQUIPPED WITH CONNECTORS(FREE)



STYLE AND DIMENSIONS OF REEL(FREE)



D-D (FREE)



- NOTES
- 5. PER REEL 1000 CONNECTORS.
 - 6. THE DIMENSIONS IN PARENTHESSES ARE FOR REFERENCE.
 - 7. REFER TO JIS C 0806 (PACKING OF COMPONENTS FOR AUTOMATIC HANDLING)
 - 8. AFTER PACKAGING. ROLL 2 METER OF THE REINFORCEMENT COLLAR TO OUTER CIRCUMFERENCE OF TAPE AND REEL POCKET. AND TAPE DOWN AT THE END THE COLLAR.

HRS	DRAWING NO.	EDC-386694-58-00
	PART NO.	DF40TC-30DP-0.4V(58)
	CODE NO.	CL0684-4263-0-58
		\triangle 2/2