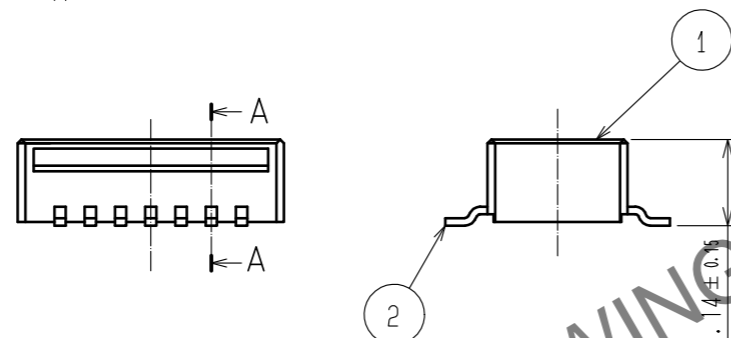
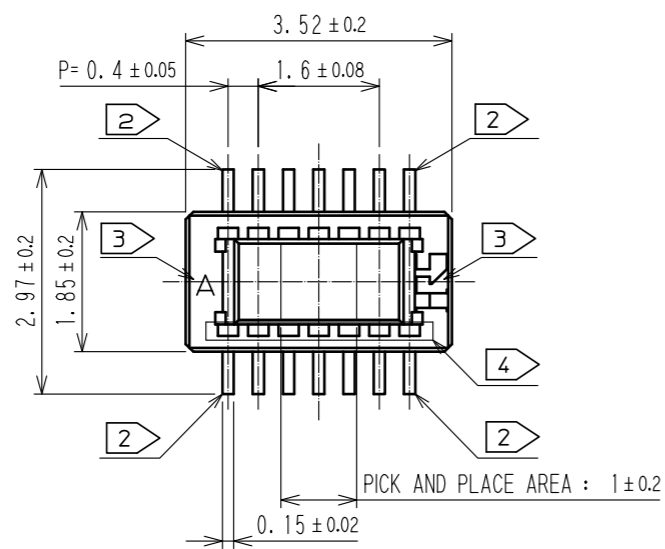
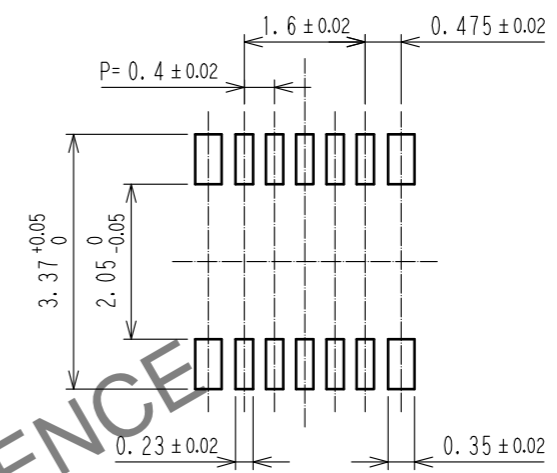


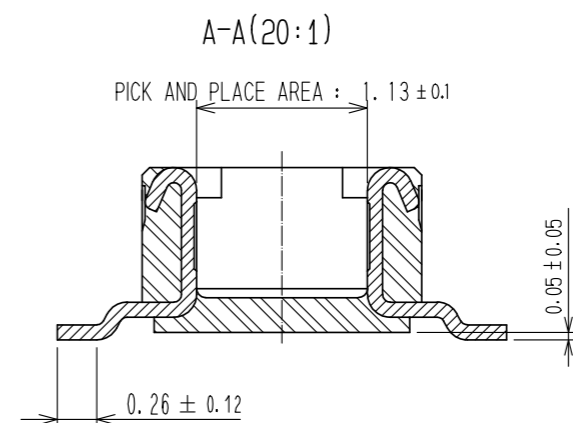
Feb.1.2025 Copyright 2025 HIROSE ELECTRIC CO., LTD. All Rights Reserved.  
In case of consideration for using Automotive equipment / device which demand high reliability, kindly contact our sales window correspondents.



RECOMMENDED PATTERN



RECOMMENDED METAL MASK THICKNESS: 120 μm  
RECOMMENDED METAL MASK OPENING RATIO: 80% FOR LEAD PAD

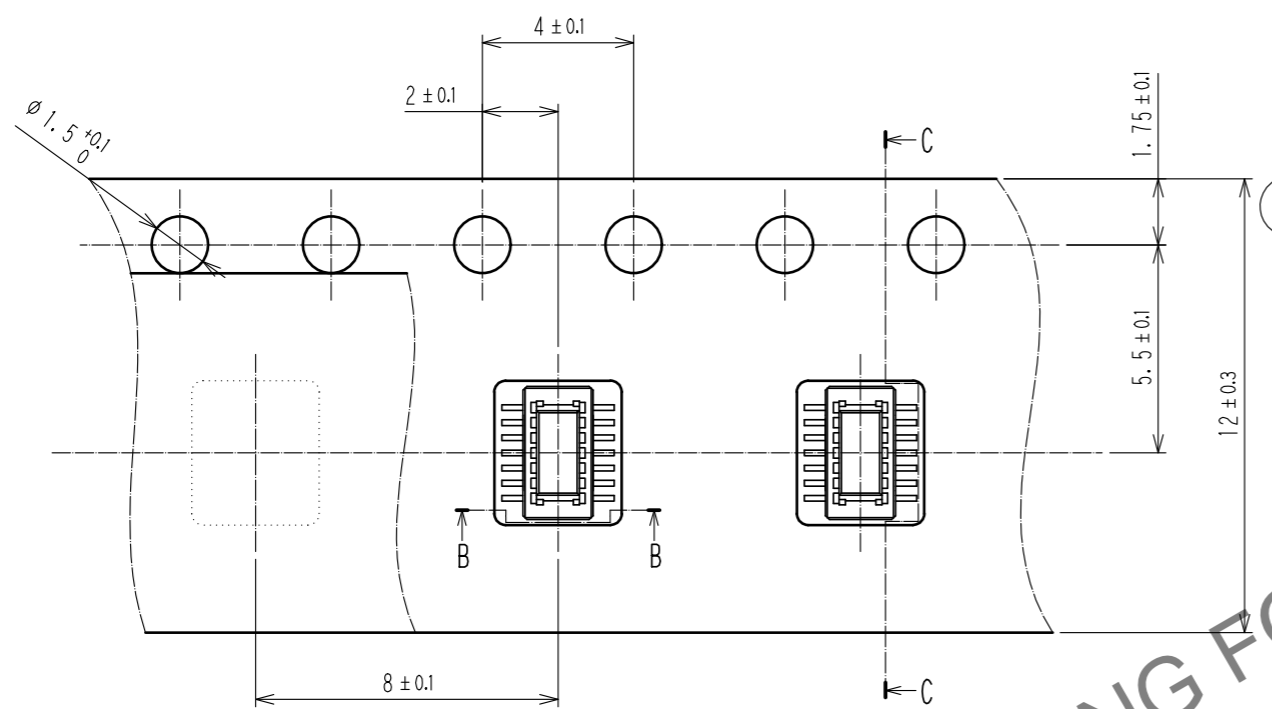


- NOTES
1. ALL LEADS CO-PLANARITY SHALL BE USED 0.1MAX.
  2. EACH ONE CONTACT AT 4 CORNERS SHALL BE USED AS METAL HOLD DOWN.
  3. HRS MARK AND CAV NO. ARE INDICATED IN APPROX. POSITION SHOWN.
  4. THERE IS A POSSIBILITY THAT THE RESIN WILL BE EXPOSED AT THIS AREA. BUT THIS WILL NOT AFFECT THE CONTACT RELIABILITY.

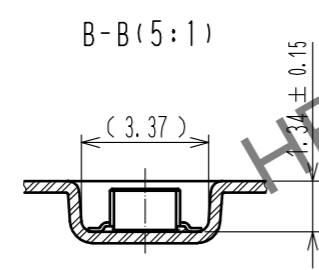
2	COPPER ALLOY	CONTACT AREA: GOLD 0.05 μm MIN SMT LEAD: GOLD 0.05 μm MIN UNDERPLATING: NICKEL 1 μm MIN	6	PS	CLEAR, REINFORCEMENT COLLAR			
			5	PS	BLACK			
			4	POLYESTER	CLEAR, COVER TAPE			
1	LCP	BLACK, UL94V-0	3	PS	CLEAR, EMBOSSED CARRIER TAPE			
NO.	MATERIAL	FINISH, REMARKS	NO.	MATERIAL	FINISH, REMARKS			
UNITS	⊕	SCALE	COUNT	DESCRIPTION OF REVISIONS		DESIGNED	CHECKED	DATE
mm		10:1	△					
APPROVED: WR. FUKUCHI 20210303			DRAWING NO. EDC-386793-58-00					
CHECKED: TS. MIYAZAKI 20210303			PART NO. DF40TC-10DP-0.4V(58)					
DESIGNED: YK. SATAKE 20210303			CODE NO. CL0684-4269-0-58					
DRAWN: YK. SATAKE 20210303								

Feb.1.2025 Copyright 2025 HIROSE ELECTRIC CO., LTD. All Rights Reserved.  
 In case of consideration for using Automotive equipment / device which demand high reliability, kindly contact our sales window correspondents.

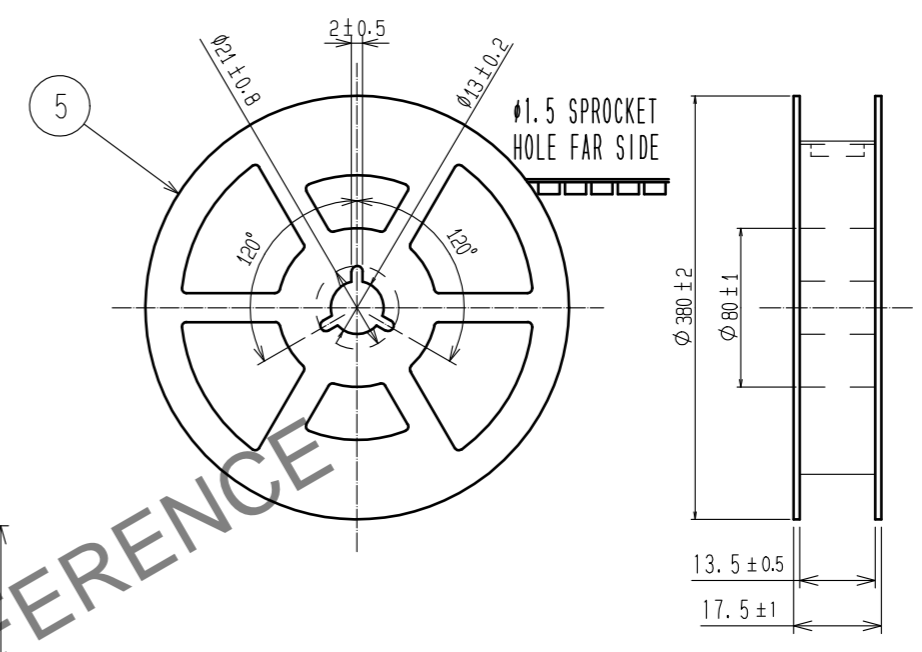
ENBOSSED CARRIER TAPE PACKAGING (5:1)



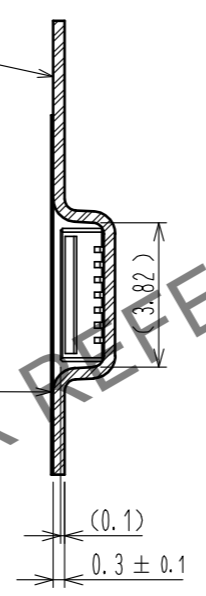
DIRECTION OF UNREELING



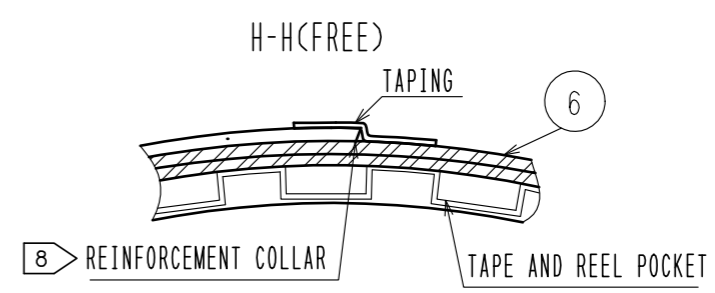
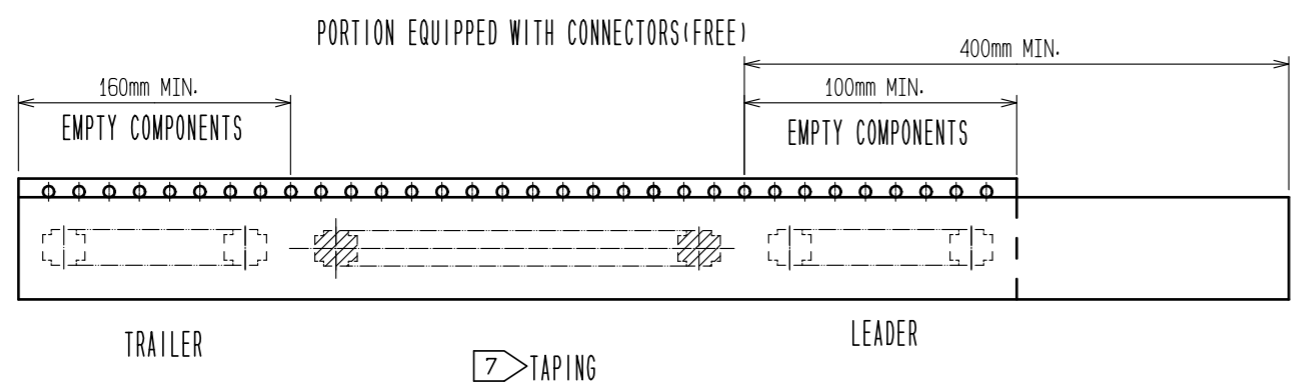
STYLE AND DIMENSIONS OF REEL (FREE)



C-C (5:1)



- NOTES
- 5. PER REEL 1000 CONNECTORS.
  - 6. THE DIMENSIONS IN PARENTHESES ARE FOR REFERENCE.
  - 7. REFER TO JIS C 0806 (PACKING OF COMPONENTS FOR AUTOMATIC HANDLING)
  - 8. AFTER PACKAGING, ROLL 2 METERS OF THE REINFORCEMENT COLLAR TO OUTER CIRCUMFERENCE OF TAPE AND REEL POCKET, AND TAPE DOWN AT THE END THE COLLAR.



<b>HRS</b>	DRAWING NO.	EDC-386793-58-00
	PART NO.	DF40TC-10DP-0.4V(58)
	CODE NO.	CL0684-4269-0-58
		2/2