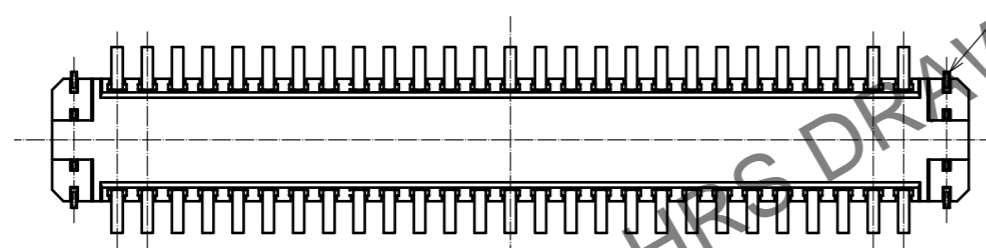
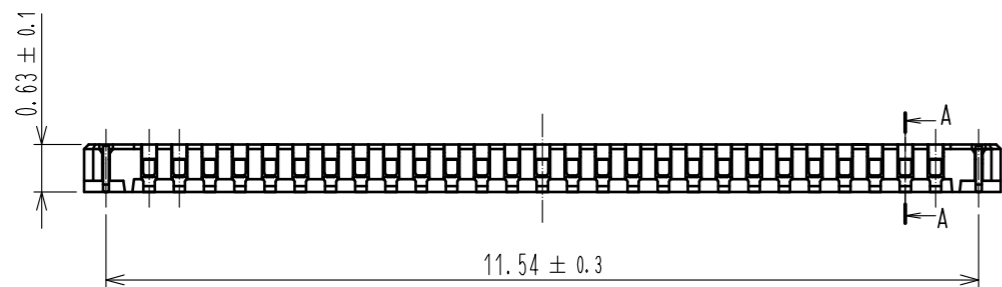
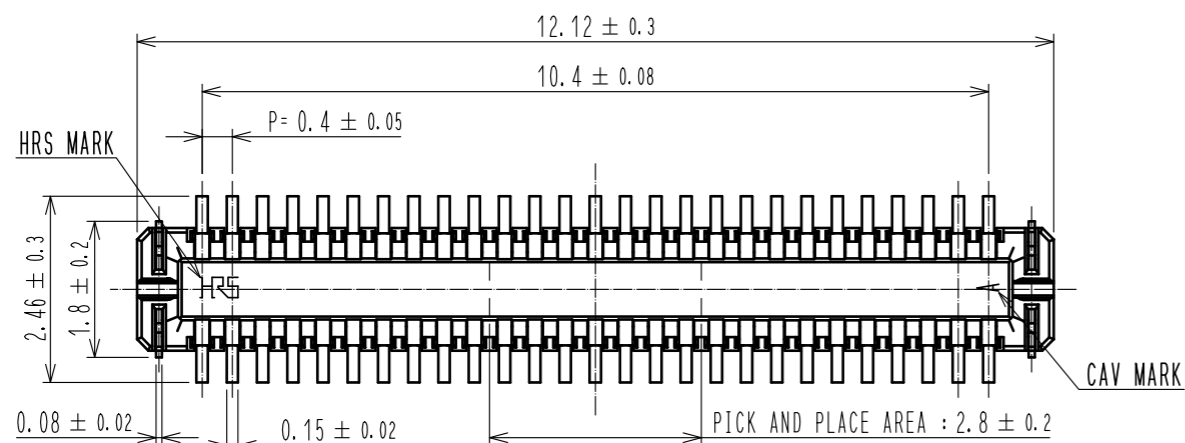
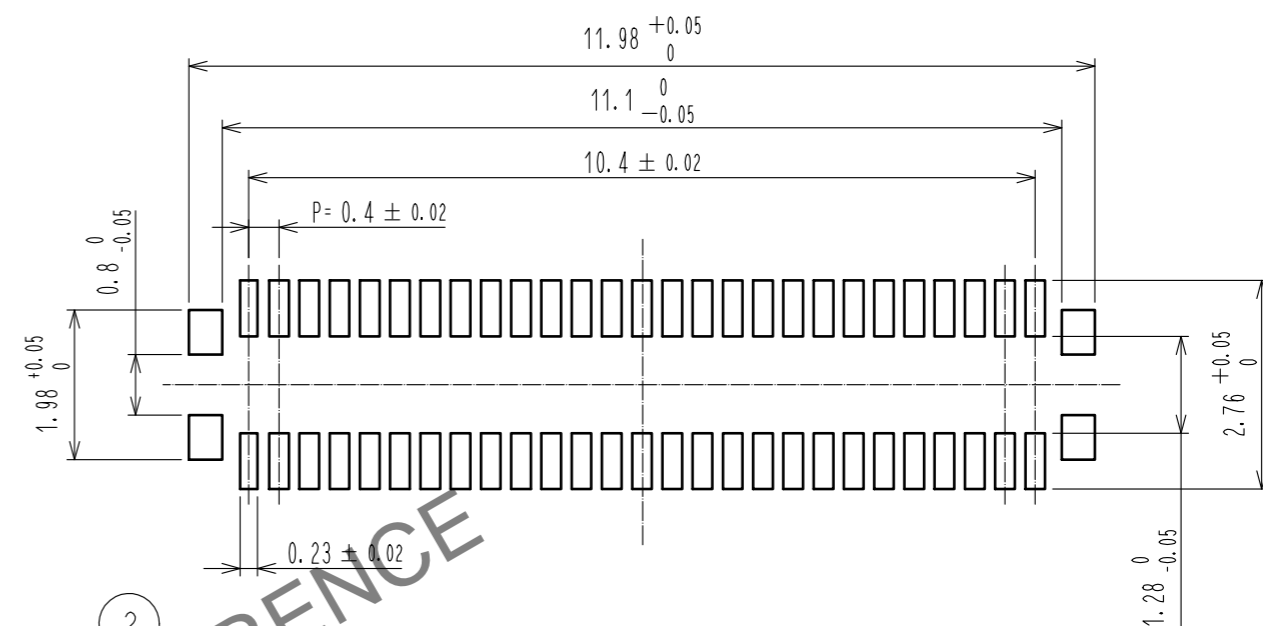


Jun.1.2026 Copyright 2026 HIROSE ELECTRIC CO., LTD. All Rights Reserved.
 In case of consideration for using Automotive equipment / device which demand high reliability, kindly contact our sales window correspondents.

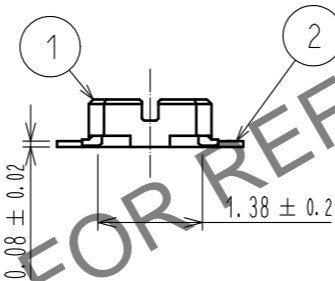


- NOTES)
- 1. ALL LEADS CO-PLANARITY SHALL BE 0.1 mm MAX.
 - 2 CONTACT PLATING SPECIFICATIONS.
 CONTACT AREA : GOLD 0.05 μm MIN.
 SMT LEAD : GOLD 0.05 μm MIN.
 UNDERPLATING : NICKEL 1 μm MIN.
 (SURFACE : SEALING)
 - 3 METAL HOLD DOWN PLATING SPECIFICATIONS.
 MOUNTING AREA: GOLD 0.05 μm MIN.
 UNDERPLATING : NICKEL 1 μm MIN.
 - 4 PLEASE CONTACT US IN CASE YOU WILL MAKE DIFFERENT SETTINGS FROM OUR RECOMMENDATION.

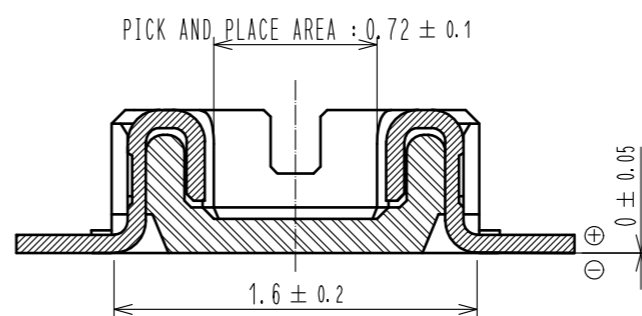
4 RECOMMENDED PATTERN



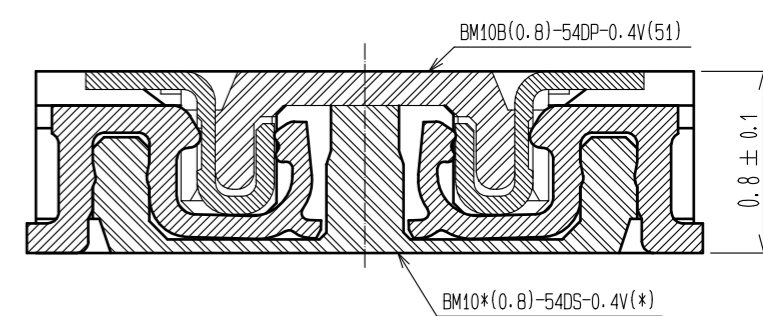
- 4 RECOMMENDED SOLDER PASTE: THICKNESS 120 μm
- 4 RECOMMENDED METAL MASK OPENING RATIO : 100%



A-A (FREE)



ENGAGEMENT FIGURE (FREE)

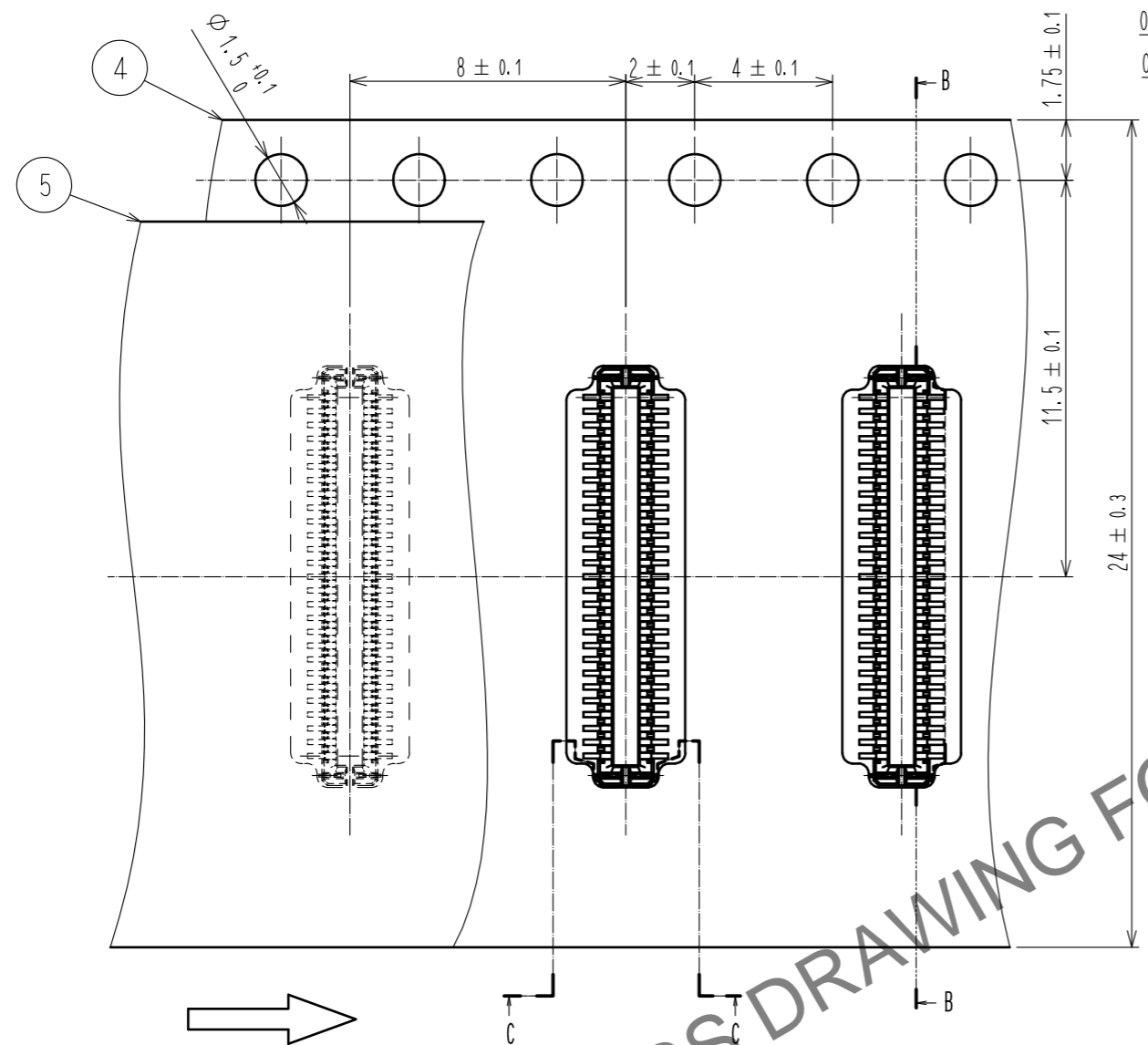


NO.	MATERIAL	FINISH	REMARKS	NO.	MATERIAL	FINISH	REMARKS
3	PHOSPHOR BRONZE	3		7	PS		REINFORCEMENT COLLAR(CLEAR)
2	PHOSPHOR BRONZE	2		6	PS		PLASTIC REEL (BLACK)
1	LCP		UL94V-0. BLACK	5	POLYESTER		CLEAR(COVER TAPE)
				4	PS		CLEAR(EMBOSSED CARRIER TAPE)

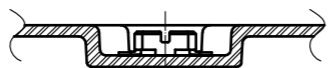
UNITS	SCALE	COUNT	DESCRIPTION OF REVISIONS	DESIGNED	CHECKED	DATE
mm	10 : 1	1				
APPROVED : MO. ISHIDA			16.02.12	DRAWING NO. EDC-319976-51-01		
CHECKED : TS. MIYAZAKI			16.02.12	PART NO. BM10B(0.8)-54DP-0.4V(51)		
DESIGNED : NY. YAMASHIRO			16.02.12	CODE NO. CL684-6048-2-51		
DRAWN : KR. AJITO			16.02.12			

Jun.1.2026 Copyright 2026 HIROSE ELECTRIC CO., LTD. All Rights Reserved.
 In case of consideration for using Automotive equipment / device which demand high reliability, kindly contact our sales window correspondents.

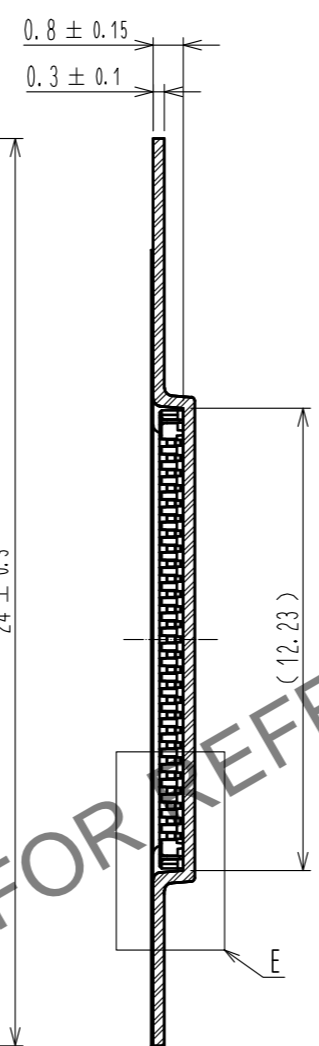
ENBOSSED CARRIER TAPE DIMENSIONS(FREE)



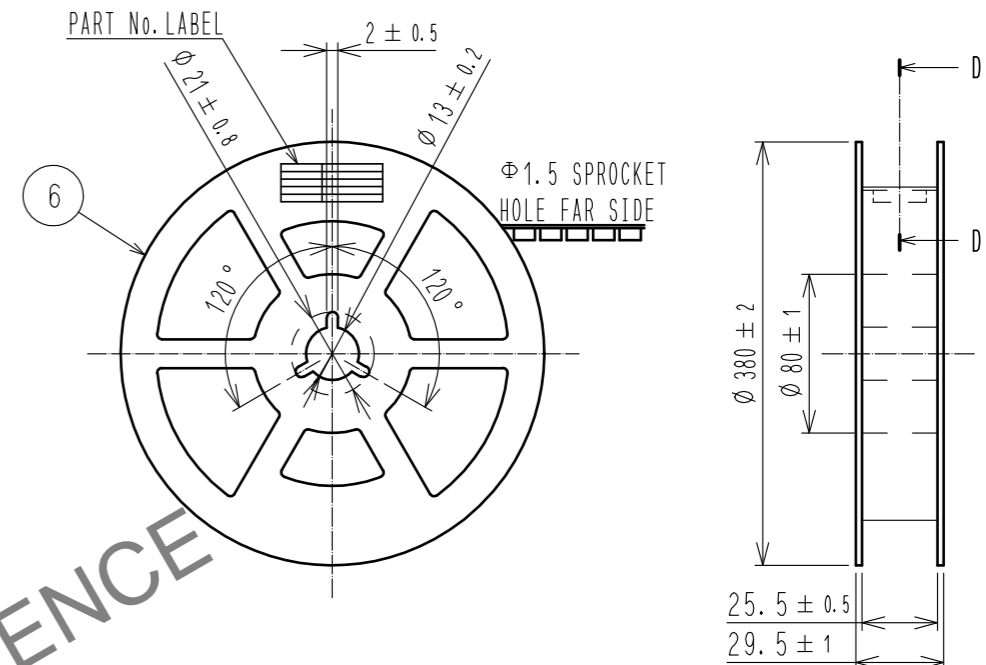
DIRECTION OF UNREELING



B-B



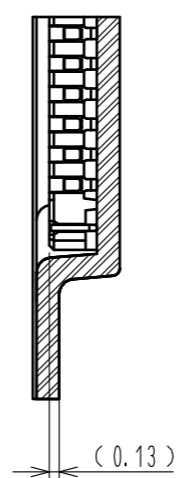
STYLE AND DIMENTION OF REEL (FREE)



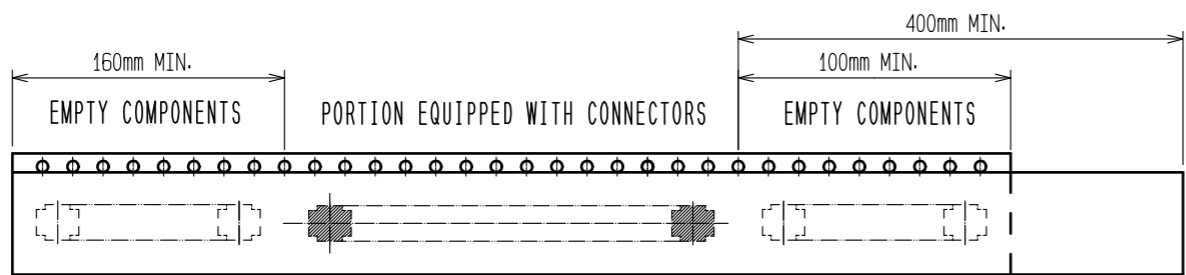
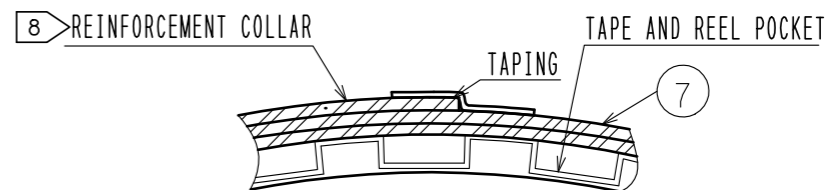
DETAIL OF PART No. LABEL

SUPPLIER	
QUANTITY	
PART NO.	
CODE NO.	
DATE OF MANUFACTURED(YEAR-MONTH-DAY)	
生産月日	年 月 日
図番	CL684-6048-2-51
品名	BM10B(0.8)-54DP-0.4V(51)
納入数量	8000個
納入者	ヒロセ電機(株)

E (10:1)



D-D (FREE)



7 TAPING(FREE)

- 5. PER REEL 8000 CONNECTORS.
- 6. THE DIMENTIONS IN PARENTHESES ARE FOR REFERENCE.
- 7 REFER TO JIS C 0806, IEC 60286-3(PACKAGING OF COMPONENTS FOR AUTOMATIC HANDLING)
- 8 AFTER PACKAGING, ROLL 2 METERS OF THE REINFORCEMENT COLLAR TO OUTER CIRCUMFERENCE OF TAPE AND REEL POCKET. AND TAPE DOWN AT THE END THE COLLAR.

HRS	DRAWING NO.	EDC-319976-51-01
	PART NO.	BM10B(0.8)-54DP-0.4V(51)
	CODE NO.	CL684-6048-2-51
		2/2