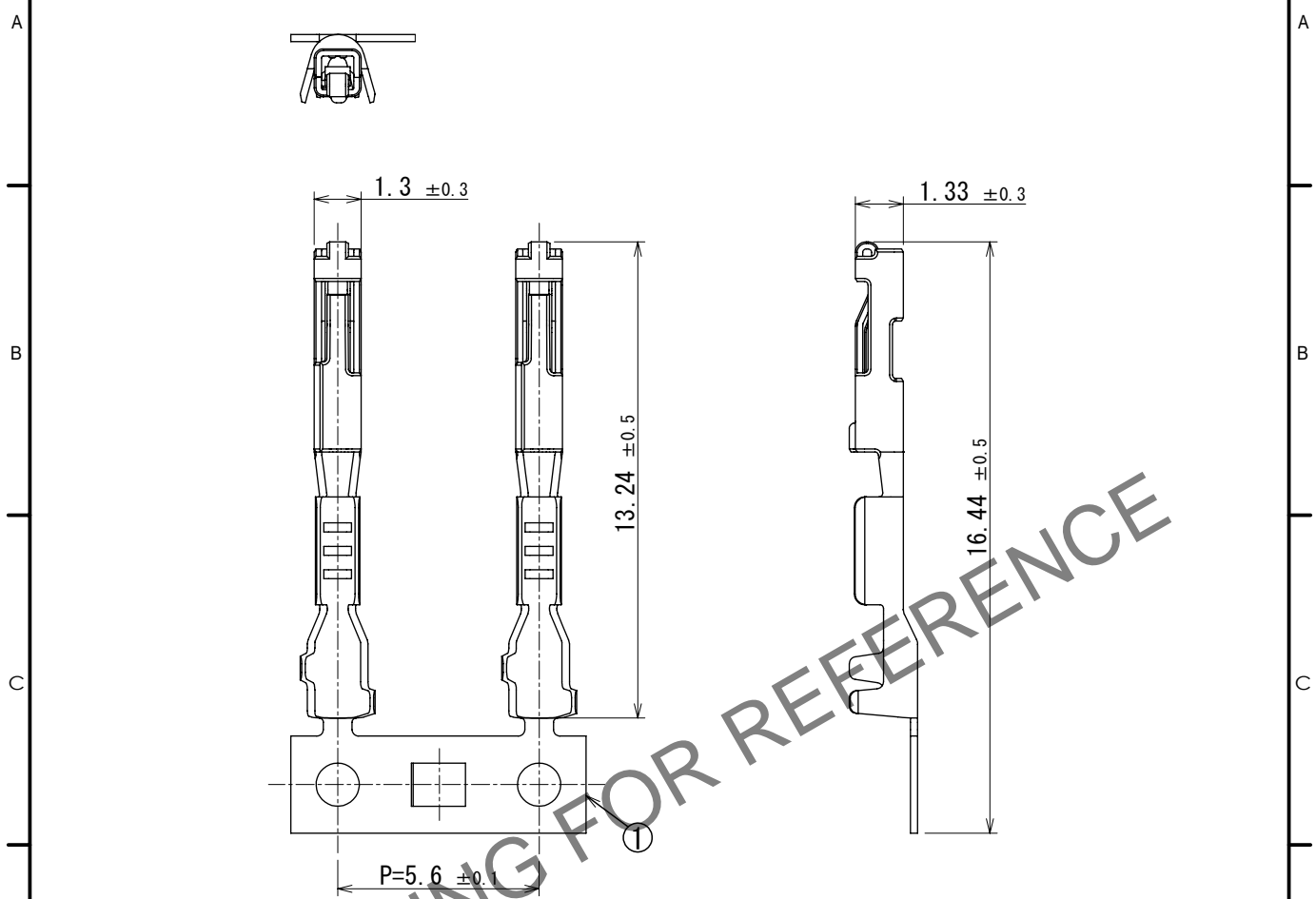
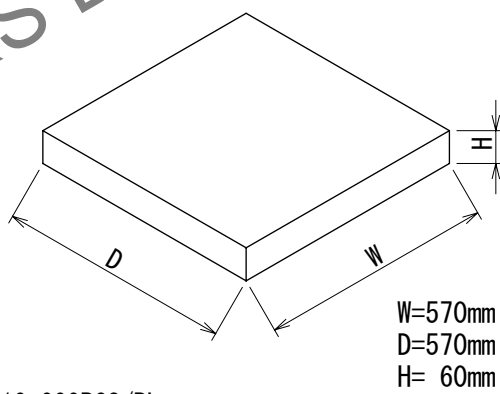


Feb.1.2025 Copyright 2025 HIROSE ELECTRIC CO., LTD. All Rights Reserved.
 In case of consideration for using Automotive equipment / device which demand high reliability, kindly contact our sales window correspondents.

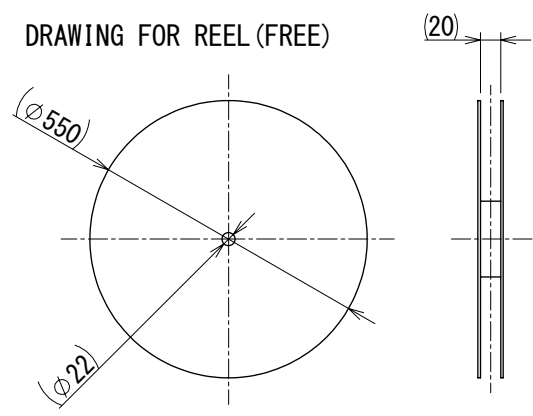
ELV, RoHS COMPLIANT



PACKING STYLE (FREE)



DRAWING FOR REEL (FREE)



Note 1. 10,000PCS/RL
 2. REGARDING HOW TO HANDLE THE PACKAGED PRODUCTS, PLEASE REFER TO THE ATAD-T0946-00 「INSTRUCTION MANUAL FOR HANDLING OF REEL PACKAGING CONTAINING CRIMP TERMINALS」

1	COPPER ALLOY	SURFACE : TIN PLATING 1 μm min
		UNDER : COPPER PLATING 0.3 μm min
NO.	MATERIAL	FINISH , REMARKS

UNITS mm		SCALE 5:1	COUNT	DESCRIPTION OF REVISIONS	DESIGNED	CHECKED	DATE



APPROVED : HH. TSUKUMO	2024. 03. 27
CHECKED : HH. TSUKUMO	2024. 03. 27
DESIGNED : AS. SHIBAHARA	2024. 03. 27
DRAWN : AS. SHIBAHARA	2024. 03. 27

DRAWING NO.	EDC-404202-00-00
PART NO.	ZE05-2426SCF
CODE NO.	CL0752-2009-0-00

