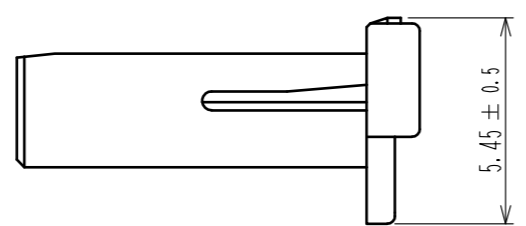
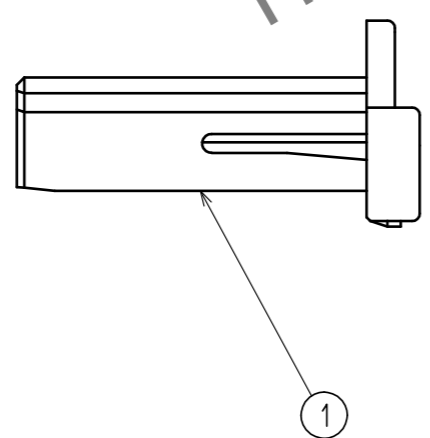
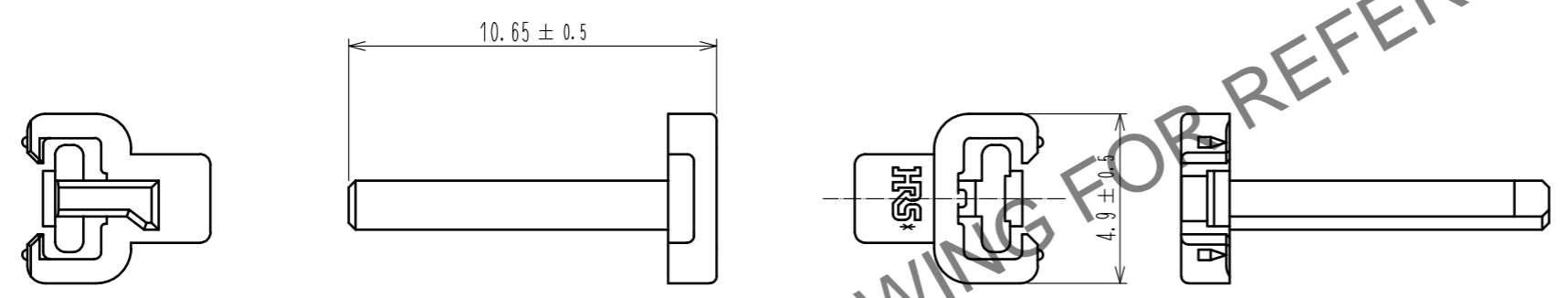


Jun.1.2026 Copyright 2026 HIROSE ELECTRIC CO., LTD. All Rights Reserved.
 In case of consideration for using Automotive equipment / device which demand high reliability, kindly contact our sales window correspondents.

ELV. RoHS Compliant



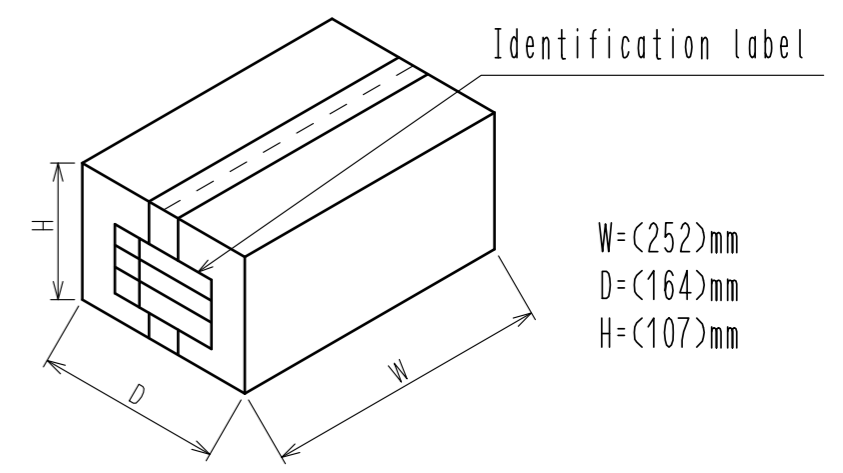
NOTE1. OCCASIONALLY, BLACK SPOTS MAY APPEAR ON RETAINERS CPAS; HOWEVER, AS THIS DOES NOT AFFECT QUALITY, WE KINDLY REQUEST YOUR CONSIDERATION TO OVERLOOK THIS MATTER.



HRS DRAWING FOR REFERENCE

△PACKAGING SPECIFICATION

- (1) 5250 pcs parts are contained in a plastic bag.
- (2) 1 plastic bags are contained in a carton.
(Total 5250 pcs in one carton)
- (3) Close the box and seal with packing tape.



1	PBT	DARK GRAY					
NO.	MATERIAL	FINISH . REMARKS		NO.	MATERIAL	FINISH . REMARKS	
UNITS mm		SCALE 5 : 1		COUNT 1	DESCRIPTION OF REVISIONS DIS-T-00026144		DESIGNED YAPING LIU
APPROVED : MH. SHOUJI 20250318				DRAWING NO. EDC-409045-00-00			
CHECKED : MH. SHOUJI 20250318				PART NO. ZE05-4P-R			
DESIGNED : YANG CHUAN XING 20250318				CODE NO. CL0752-2701-0-00			
DRAWN : GANGGANG YU 20250318				1/1			
HIROSE ELECTRIC CO., LTD.							