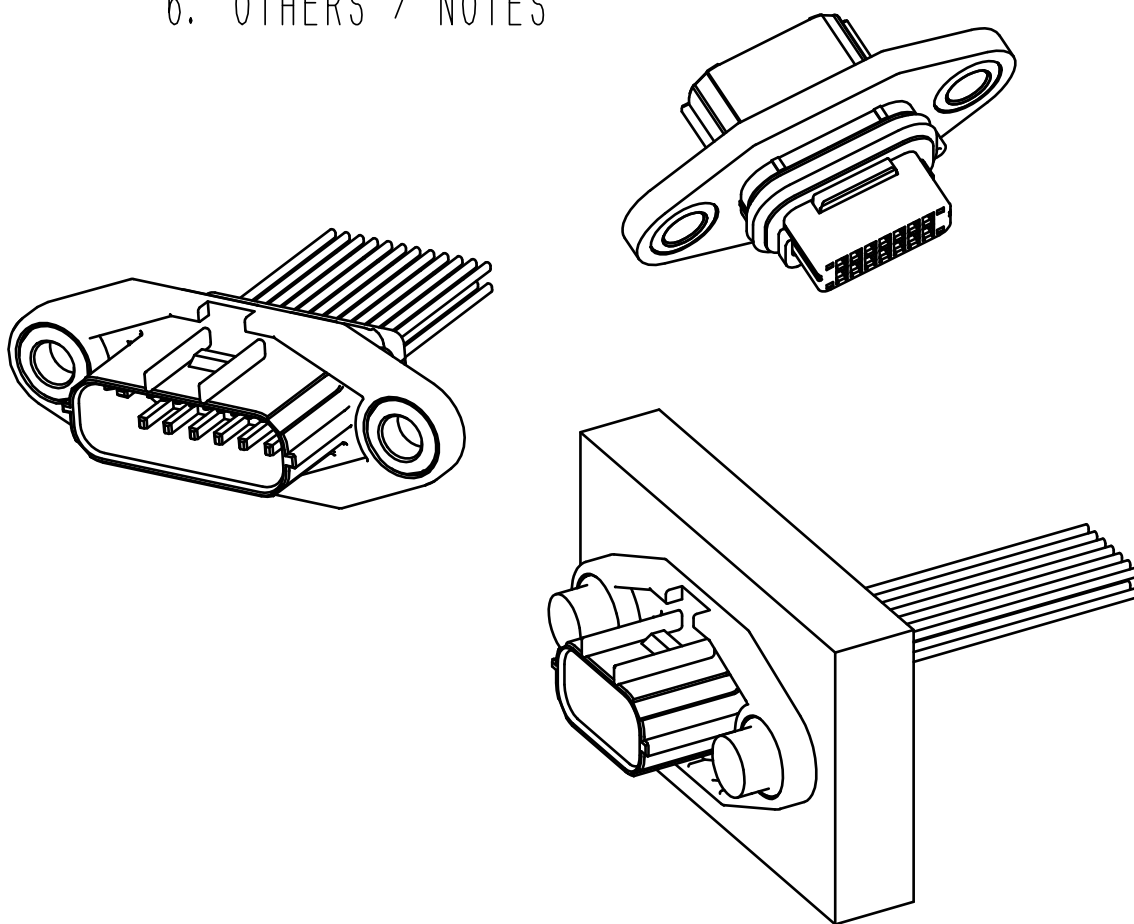




# ZE064W-\*P-HU/R(\*) Instruction Sheet

## TABLE OF CONTENTS

1. PURPOSE
2. COMPONENTS
- 3-1. HARNESS ASSEMBLY PROCESS
- 3-2. HARNESS REPAIR PROCESS
4. ASSEMBLY PROCESS TO THE PANEL
5. MATING OPERATING PROCESS
6. OTHERS / NOTES



COUNT	DESCRIPTION OF REVISIONS	DESIGNED	CHECKED	DATE
4	DIS-T-00024624	TY. IKEDA	HH. TSUKUMO	20250806
名称 TITLE		 ヒロセ電機株式会社 HIROSE ELECTRIC CO., LTD.		
ZE064W-*P-HU/R(*) Instruction Sheet		APPROVED	HK. UMEHARA	20220120
		CHECKED	HH. TSUKUMO	20220119
		CHARGED	TY. MOGI	20220119
		WRITTEN	TY. MOGI	20220119
技術指定書 TECHNICAL SPECIFICATION		ETAD-T0670-00		 1 / 11

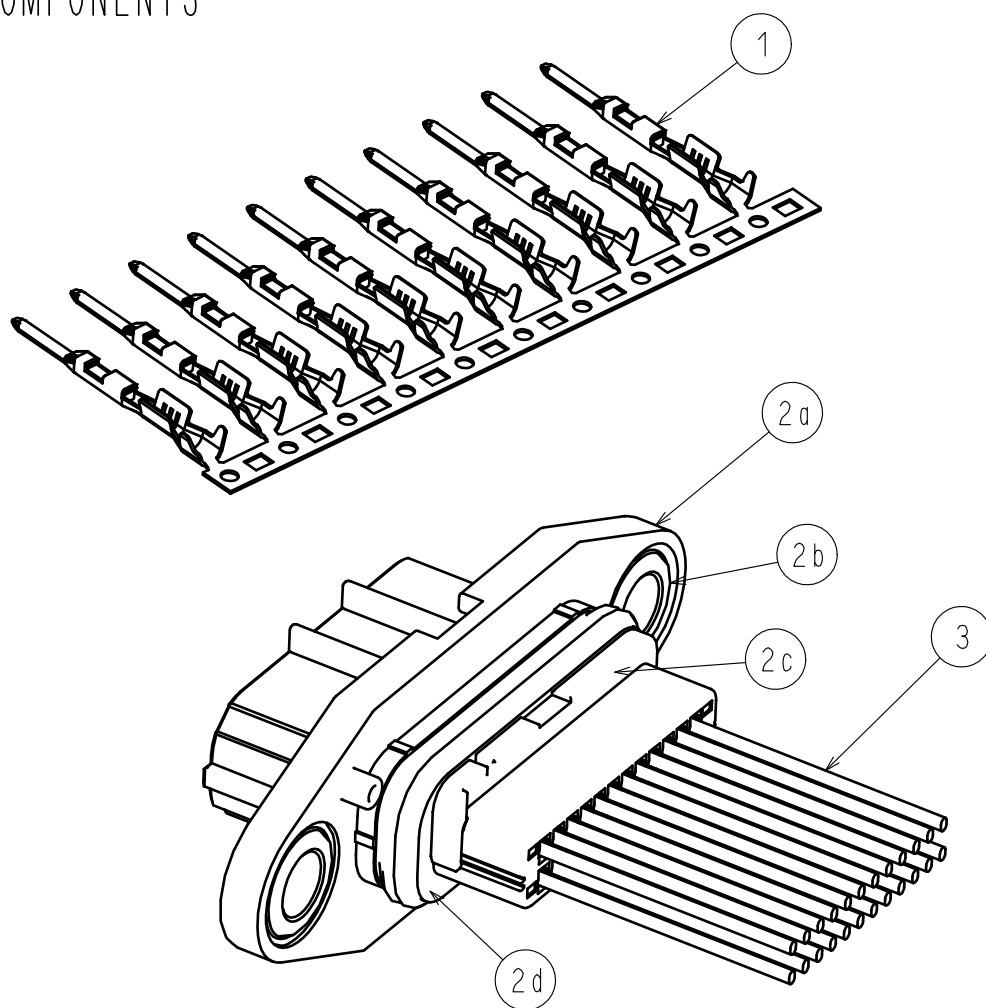
## 1. PURPOSE

This document provides information on the ZE064W-\*P-HU/R(\*) harness assembly, assembly to the panel and mating operation. Keep it in a place where it can be accessed at any time while the connector is in use.

Please note that the figures and charts shown in this document are of our representative products and may vary depending on the product types

This document information is subject to change without notice.

## 2. COMPONENTS



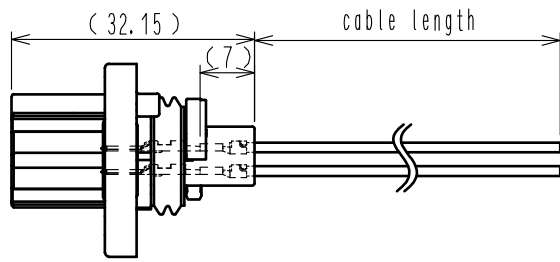
PART NO.	PART DESCRIPTION	HIROSE PART NAME	HIROSE PART NUMBER	CHILD PART(COLOR)	NUMBER OF PARTS
△ 1	CRIMP TERMINAL	ZE064-2022PCF	CL0753-2002-0-00	UNIT PARTS(SILVER)	NOT SPECIFIED
		ZE064-2022PCFA	CL0753-2028-0-00	UNIT PARTS(SILVER/GOLD)	
2	MALE CONNECTOR	ZE064W- 8DP-HU/R(A) ZE064W- 8DP-HU/R(B) ZE064W-14DP-HU/R(A) ZE064W-14DP-HU/R(B) ZE064W-24DP-HU/R(A) ZE064W-24DP-HU/R(B)	CL0753-2013-0-00 CL0753-2014-0-00 CL0753-2008-0-00 CL0753-2009-0-00 CL0753-2003-0-00 CL0753-2004-0-00	2a:HOUSING (BLACK OR GRAY) 2b:COLLAR(SILVER) 2c:RETAINER(WHITE) 2d:PANEL SEAL(RED)	1
3	CABLE	-		-	NOT SPECIFIED

# 3-1. HARNESS ASSEMBLY PROCESS

④

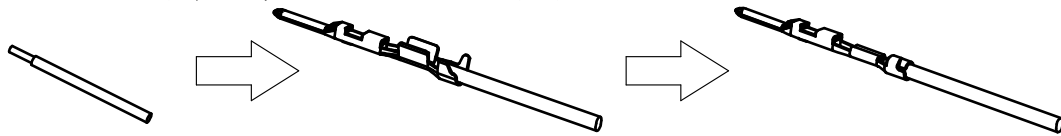
NOTE: Regarding crimping information, please refer to 'ETAD-T0668-00' Crimp quality standard. Please refer to the crimping condition table for the compatible wires and crimping conditions confirmed by our tools.

- ①Cut the cable.  
Set the cable length with reference to the dimensions shown on the right.



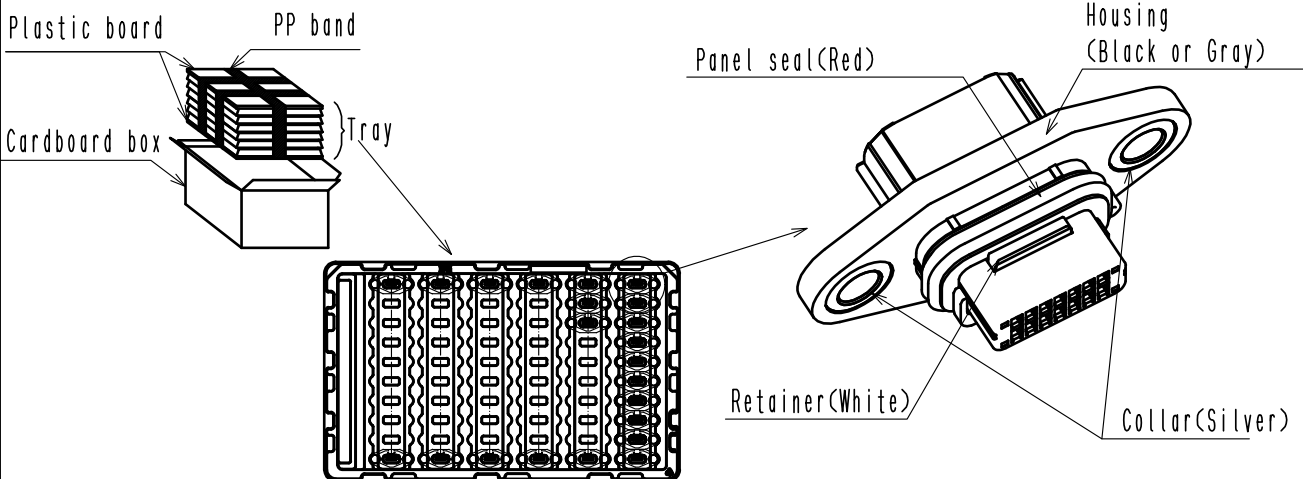
Approximate cable cut length = above cable length + 7mm

- ②Strip cable and crimp the terminal to the cable.  
Please refer to 'Crimp quality standard' and 'Crimping condition table' for details.

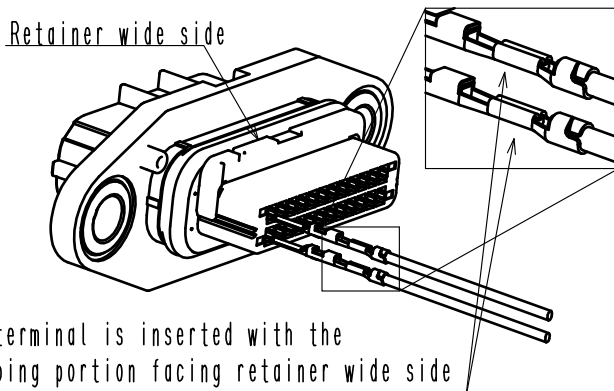


Note: Please use HRS crimp tool.

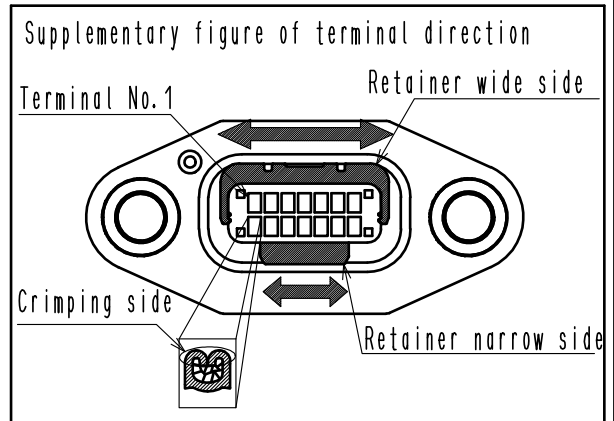
- ③Pick a connector from the tray  
※Please hold connectors except panel seal part.  
And also be careful that the oil of the panel seal not to be touched with other objects, except connector housing and retainer.



- ④Insert the terminal straight to the housing (refer to below direction) until there is an audible click.

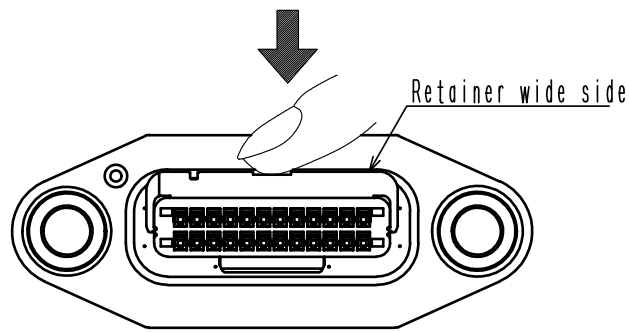


The terminal is inserted with the crimping portion facing retainer wide side

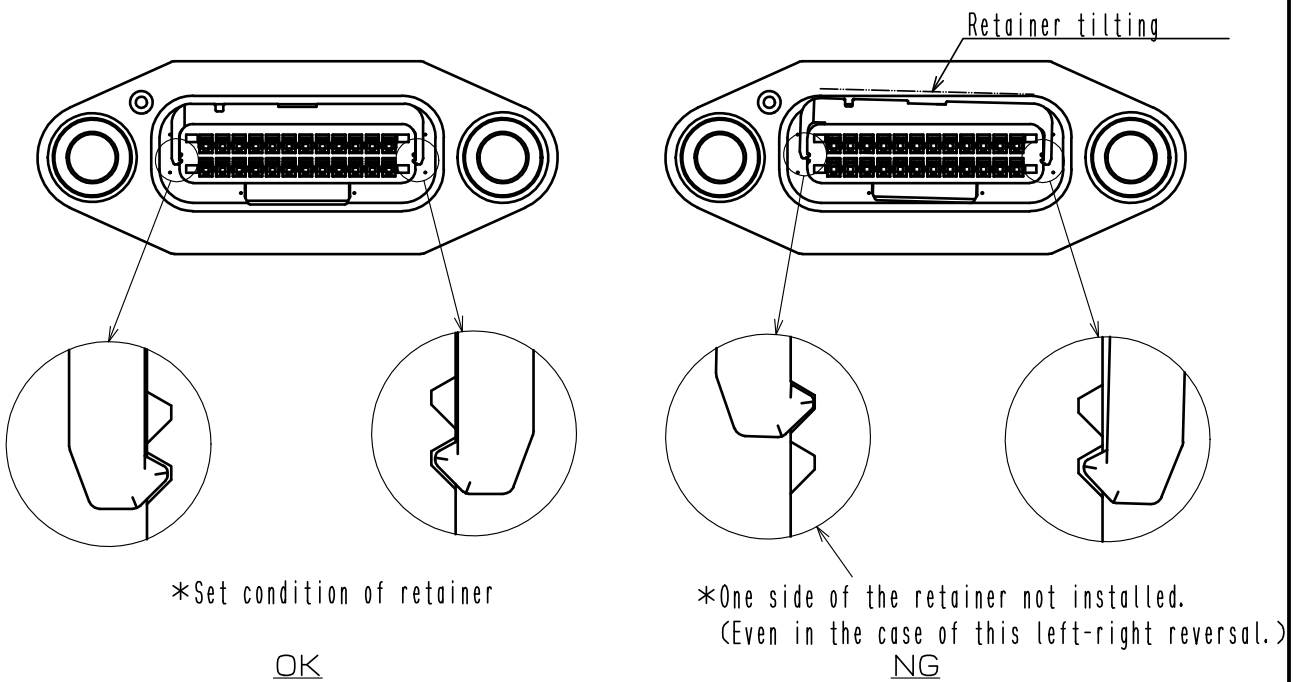


⑤ Push the pre-set retainer from wide side until it clicks.

※ Please don't touch the panel seal more than necessary.



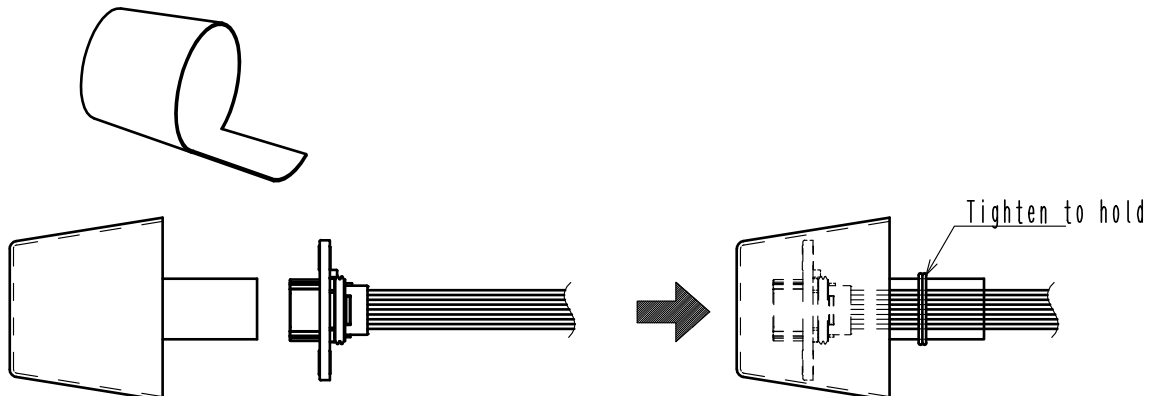
※ After setting the retainer, please make sure the retainer is not tilted as seen from the front. If it is tilted, push in an additional retainer to make it set.



⑥ Please protect the panel seal not to be touched with other objects.

The protector is required not to be deformed excessively during packaging, shipping and being stored.

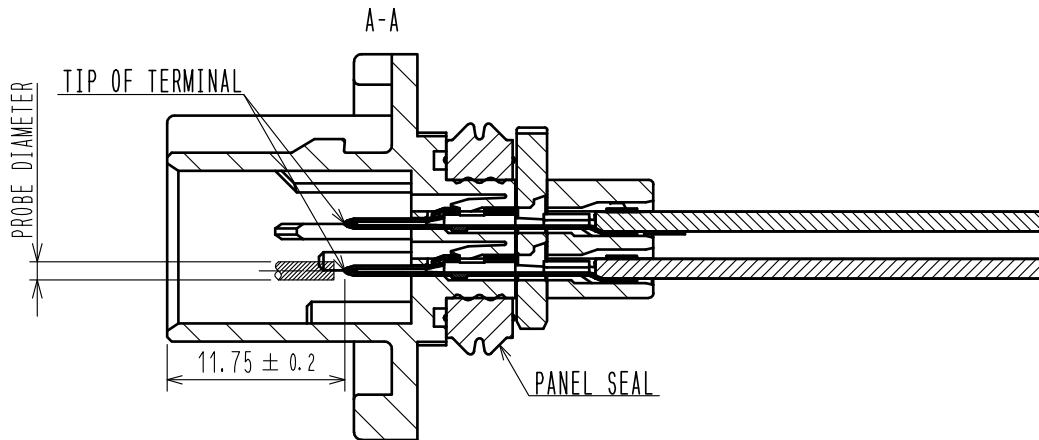
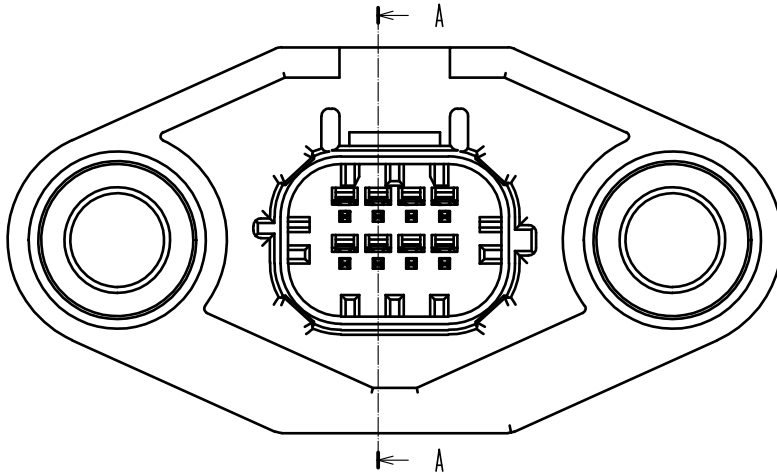
e. x.) Cover the whole part of connector with plastic cup and tighten the cables to hold.



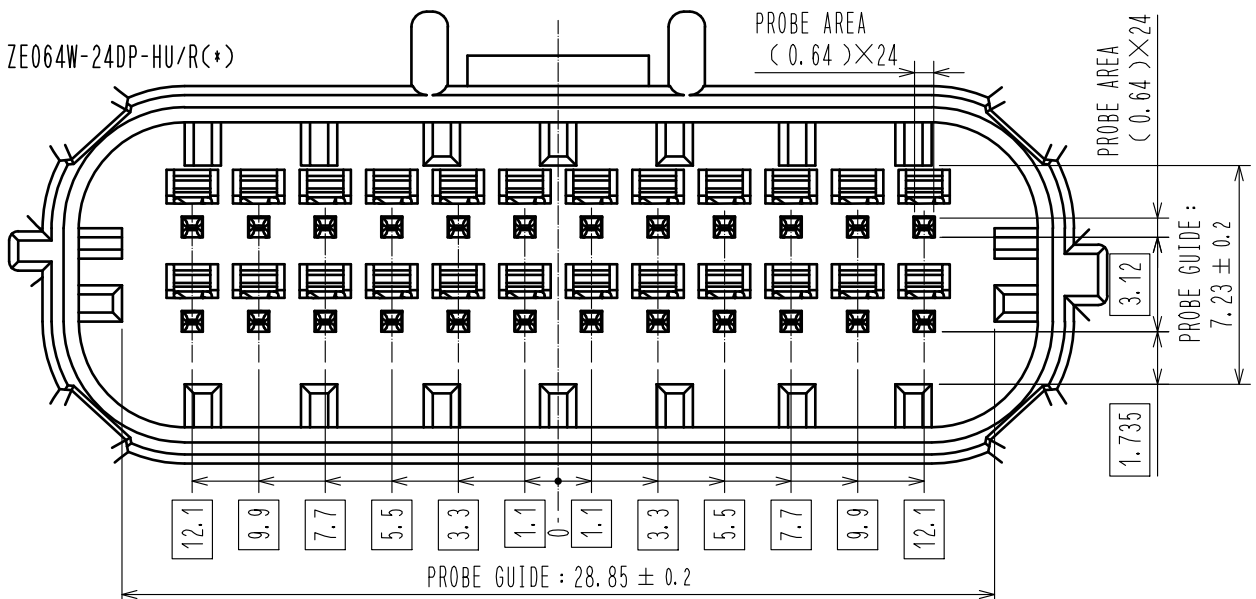
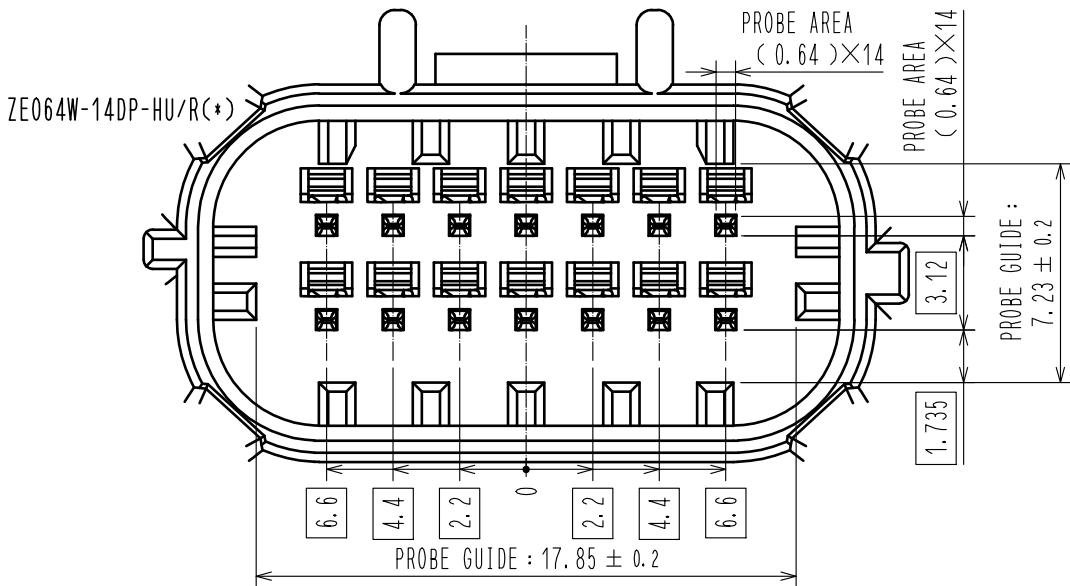
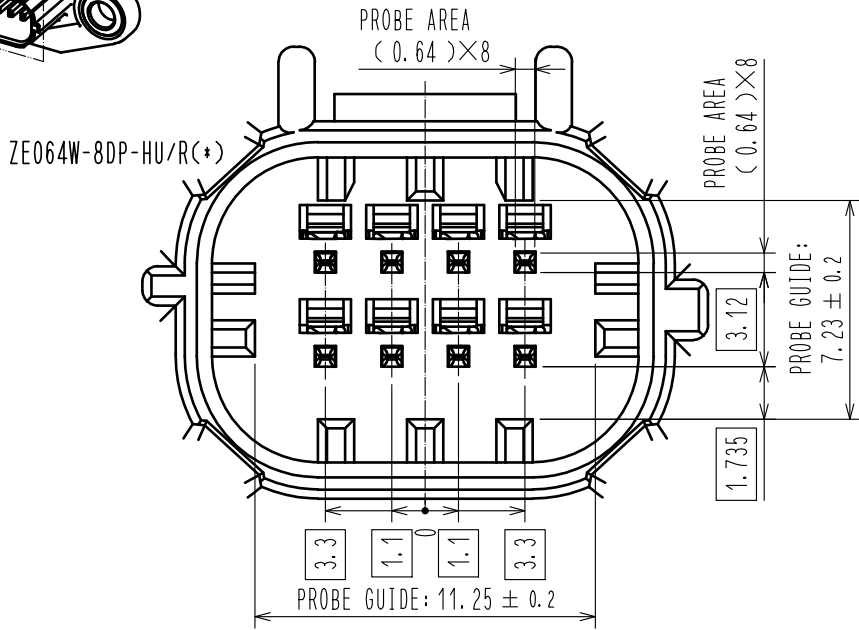
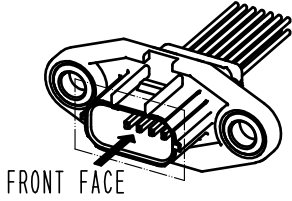
⑦ FOR ELECTRICAL TESTS, PLEASE TOUCH THE TEST PROBE TO THE TIP OF MALE TERMINAL.  
DURING ELECTRICAL TESTS, PLEASE DO NOT TOUCH THE CLAMP TO PANEL SEAL.  
AFTER ELECTRICAL TESTS, PLEASE COVER AGAIN BY FOLLOWING THE PROCES NUMBER ⑥ TO PROTECT PANEL SEAL.

THE RECOMMENDED PROBE SHOULD HAVE THE FOLLOWING CHARACTERISTICS

- DIAMETER :  $\phi 0.6 \sim 1.2\text{mm}$
- TOUCH SURFACE : FLAT
- PLATING : GOLD PLATED
- SPRING FORCE : 1N Max.
- STROKE : SEE FIGURE BELOW



THE TEST PROBES SHOULD BE LOCATED IN FRONT FACE AS DESCRIBED BELOW



HIROSE ELECTRIC CO., LTD.

ETAD-T0670-00

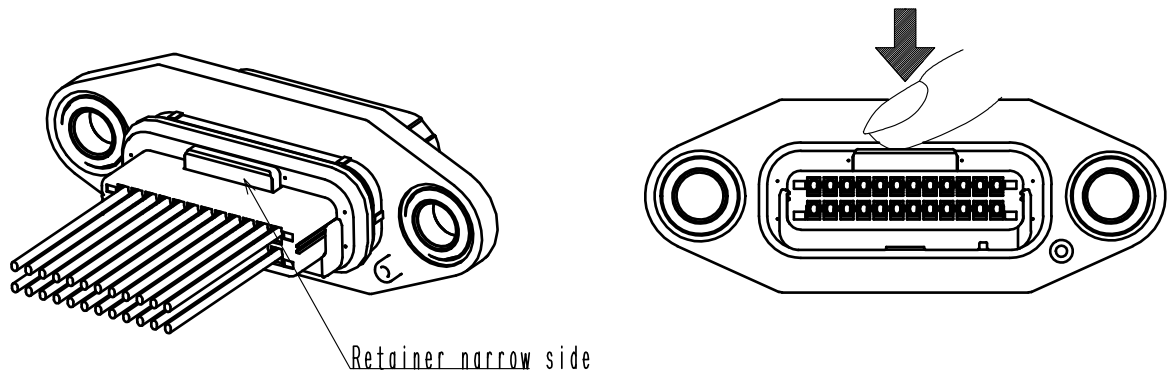


6

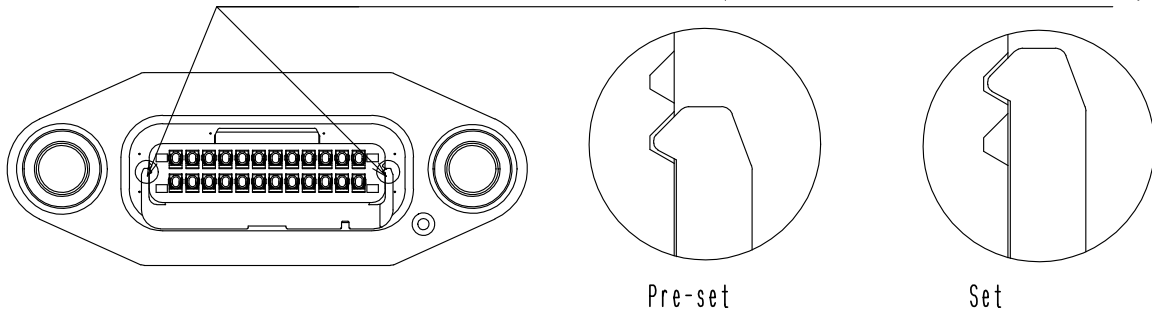
11

## 3-2. HARNESS REPAIR PROCESS

①Release the retainer from narrow side with your fingers. To return to the pre-set state.

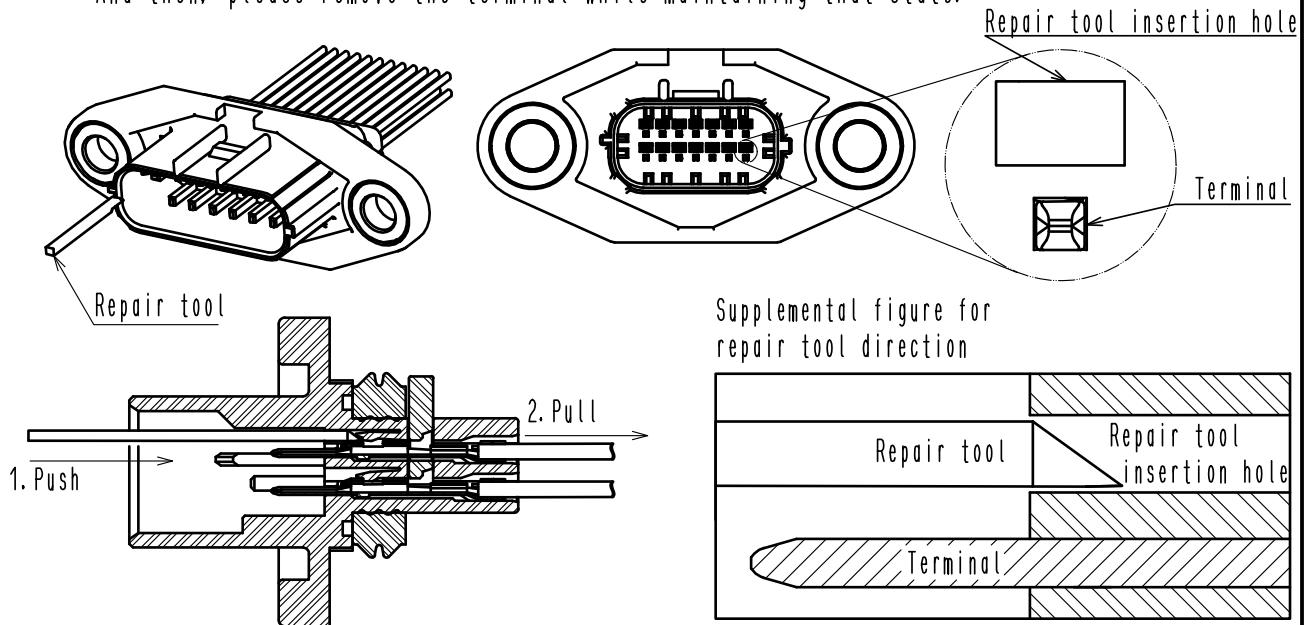


Make sure that the retainer is in the pre-set state for both left and right.



Note: Please return to the pre-set position from retainer wide side when the retainer drops out.

②Insert the repair tool into the repair tool insertion hole, and push until it hits. And then, please remove the terminal while maintaining that state.



Note: Please be careful not to touch the terminal when inserting a repair tool.  
Repaired connector cannot be used. Please replace it with new one.

The list of repair tools

Applicable products	Product name	Part number
ZE064-2022PCF(##)	ZE064-P/RE-MD	902-5150-0
ZE064-2022PCFA(##)		



(##) = Specification number

**HRS**

HIROSE ELECTRIC CO., LTD.

ETAD-T0670-00



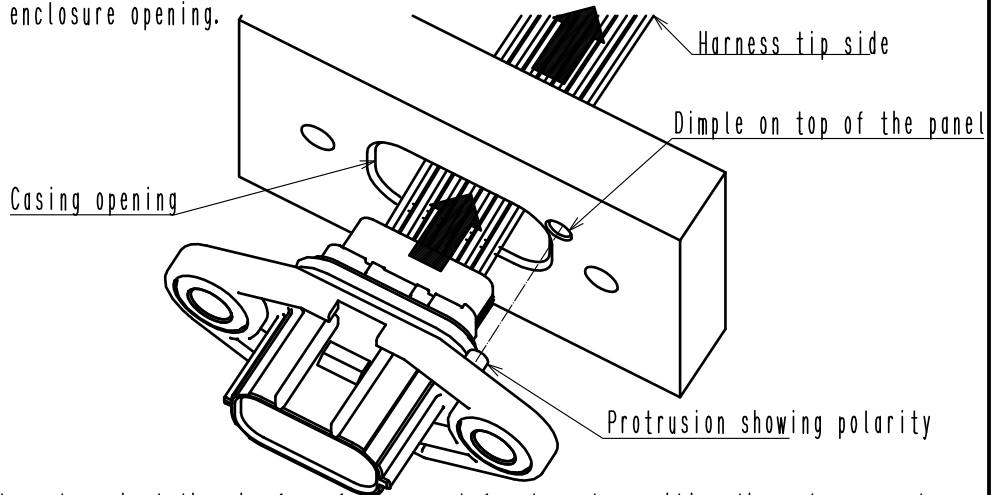
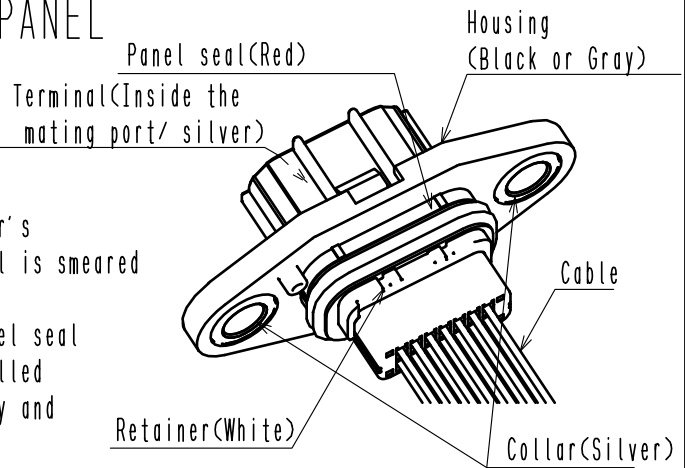
7/11

# 4. ASSEMBLY PROCESS TO THE PANEL

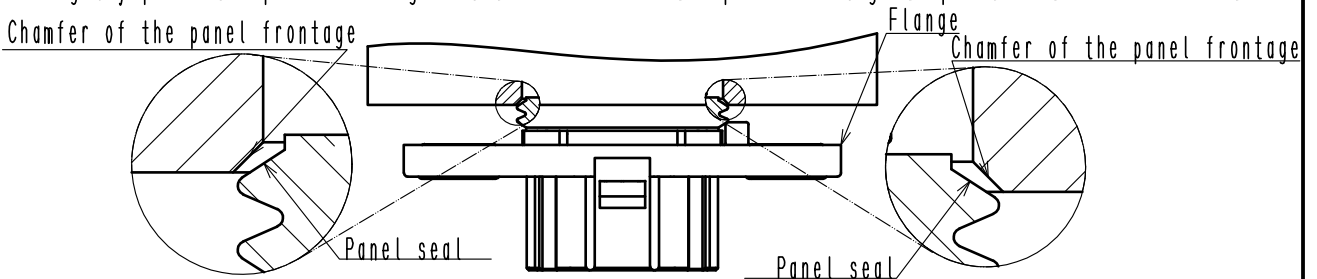
① Pick a harness assembly from packaging.

※ It is recommended to hold the cable and housing.  
Do not touch the terminals or the male connector's panel seal or retainer. Also, make sure that oil is smeared over the entire surface of the panel seal.  
Excessive loss of oil on the surface of the panel seal will result in insufficient slippage when installed on the panel, causing it to not install properly and compromising air tightness.

② With the orientation of the polarity protrusions on the housing aligned with the indentations on the enclosure, insert the harness end side through the enclosure opening until the male connector panel seal touches the enclosure opening.

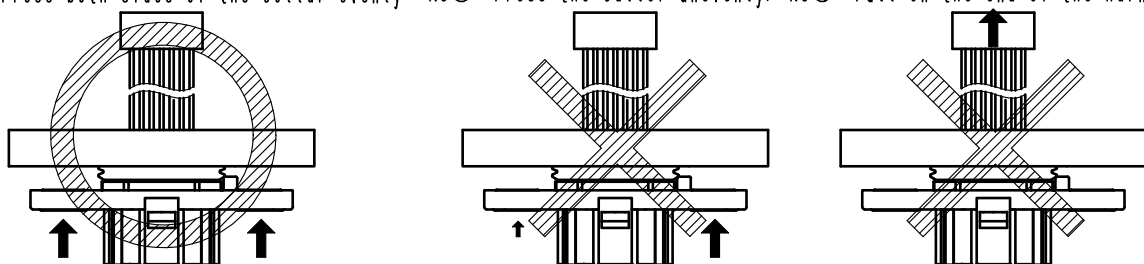


③ Lightly press the panel seal against the chamfer of the panel frontage to position the male connector.

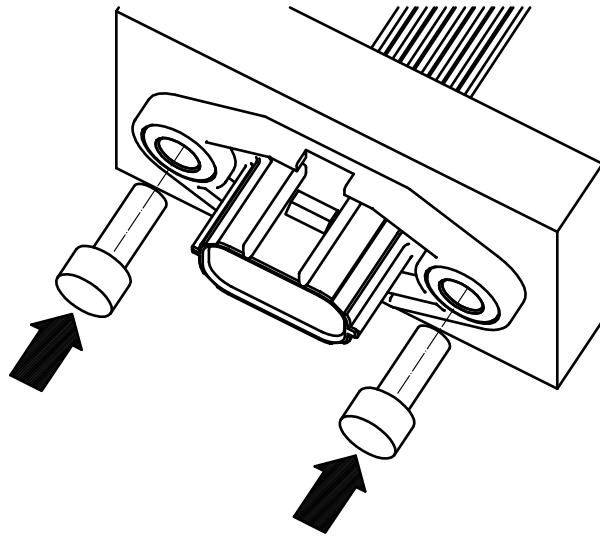


While in this position, press on the male connector housing or collar and push the male connector straight into the enclosure opening. Push straight in until the male connector flange touches the panel.  
※ Pushing the male connector diagonally or pulling the harness side into the enclosure opening may cause excessive load on the male connector, which may result in damage.  
※ If the above insertion force exceeds 60N, please don't use the connector because the lubricant oil on the surface of the panel seal might not enough.  
It can cause panel seal deformation and increases the risk of air leak.

OK: Press both sides of the collar evenly NG①: Press the collar unevenly. NG②: Pull on the end of the harness.



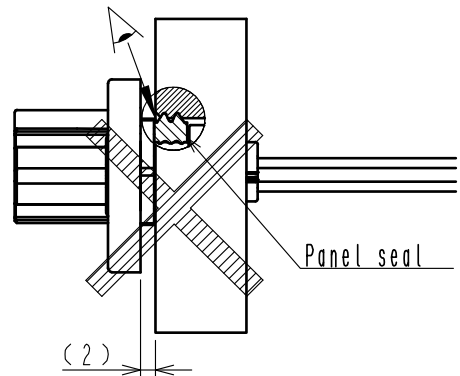
- ④ Remove your hand from the male connector. Insert M5 size screws through the two collars and tighten the screws to a tightening torque of 5.5 N·m max. to secure the unit to the panel.
- ※ Any type of M5 screw can be used to install to the panel. (Hex Socket Bolt, Hex Flange Bolt, etc.)
  - ※ Only the upper tightening torque limit is define in order to prevent connector damage and no recommendation or minimum value is specified. Please define them according to each company rule.



- ※ Make sure that the male connector does not rise excessively above the surface of the panel when you take your hand off the male connector. If it floats up excessively, something may have gone wrong. In that case, pull the male connector out of the panel and start the process all over again.

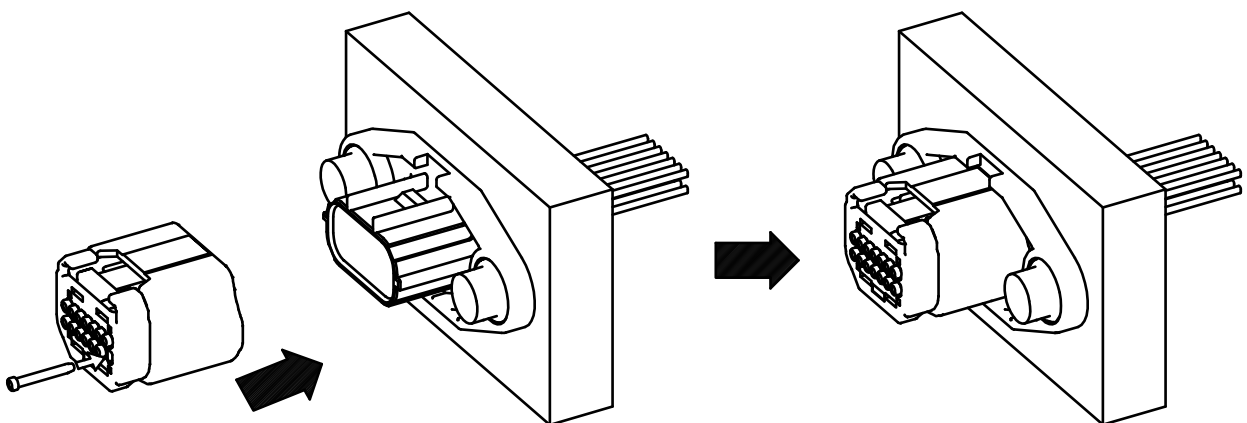
Approximate amount of lift :

2 mm or less or no panel seal is visible through the gap.



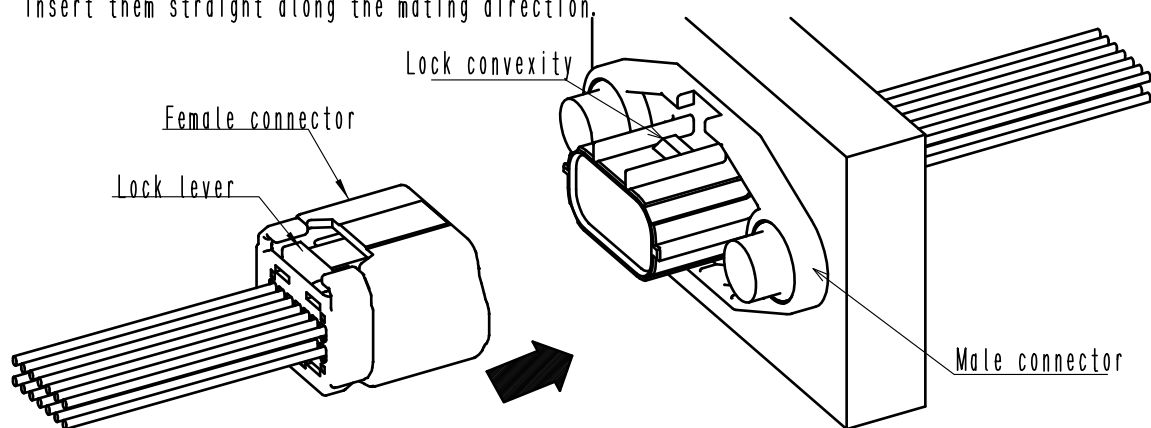
- ※ Do not reattach the male connector to the panel more than once, and only do so consecutively to the same panel. Before reattaching the harness, check the appearance of the panel seal, and if it is damaged or deformed, use a new harness. Also, reattaching the male connector more than once or reattaching it to a different panel may cause excessive load on the panel seal, so please use a new harness in such cases.

- ※ To check for problems with installation to the panel, please perform an air leak test on the panel. At this time, to seal the connector mating opening, we recommend mating a connector with a waterproof pin inserted. For instructions on how to assemble the mating connector, please refer to ETAD-T0644-00.



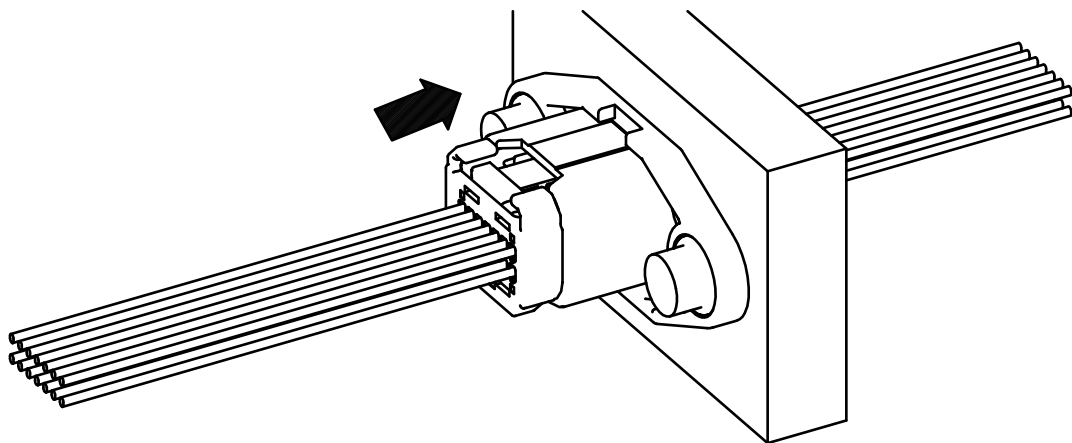
## 5. MATING OPERATING PROCESS

- ① Prepare a panel with a male connector attached and a female connector harness product.  
Make sure that the male and female connector key codings are the same.  
Align the locking direction of the male and female connectors and insert them straight along the mating direction.



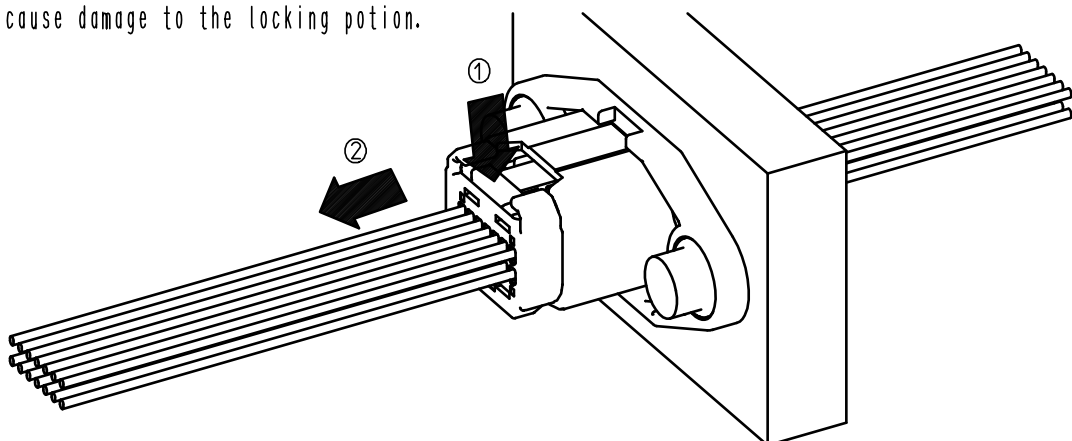
- ② Please insert the connectors until they butt against each other. The connector will be locked.

- ※ Do not touch the female connector lock lever when inserting the connector.  
This makes it difficult to recognize the lock feeling and may cause half insertion.




- ③ When disconnecting the connector, push down the female connector until the locking lever of the female connector is pushed against it, then grasp the female connector housing and pull it out straight against the mating direction.

- ※ If the female connector is removed while the lock lever is not pushed down enough, it may cause damage to the locking portion.



## 6. OTHERS / NOTES

- 1) Do not touch the terminal contacts and the inside of the barrel.
- 2) Wear hand gloves or finger coat when touching the terminals to prevent corrosion.
- 3) Handle the terminals carefully to avoid deformation or dirt sticking by putting things on or dropping.
- 4) If the terminals are caught each other, please do not try to pull out roughly, but loosen them carefully.
- 5) Be careful not to deform the terminal when touching it.
- 6) Cables with crimped terminals need to be kept carefully so that terminals do not catch each other. When the cables are bundled, make sure the stress is not applied on terminals.
- 7) Please be careful not give a big shock.
- 8) Avoid storing in dusty places.
- 9) Please do not place wire harness on the floor.
- 10) Avoid handling that causes deformation or scratches of housing, or deformation of the terminal.
- 11) When installing the harness, it is recommended to clamp it within 60mm from the neck bottom of connector.
-  12) Please don't drop the packaged product from 40cm height to avoid product deformation.