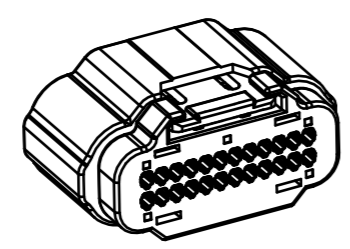
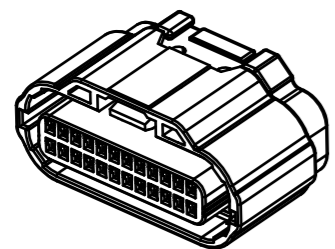
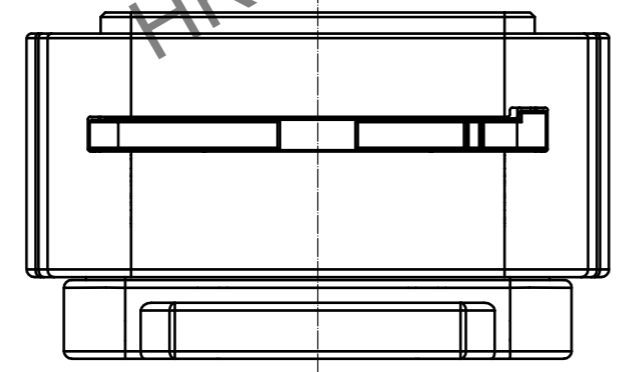
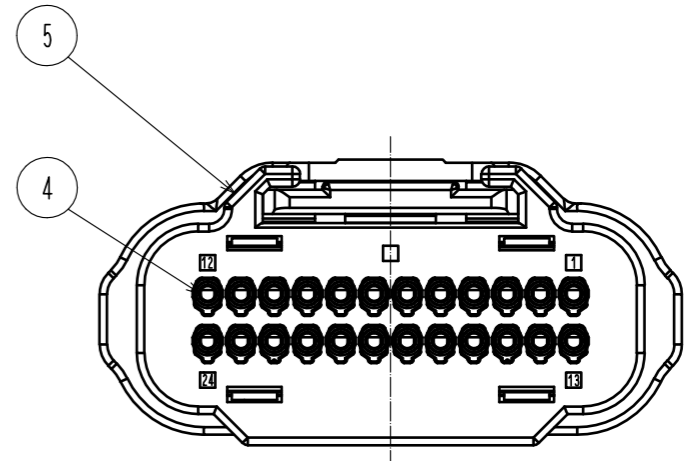
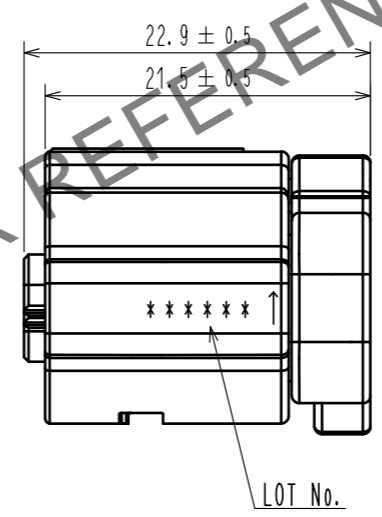
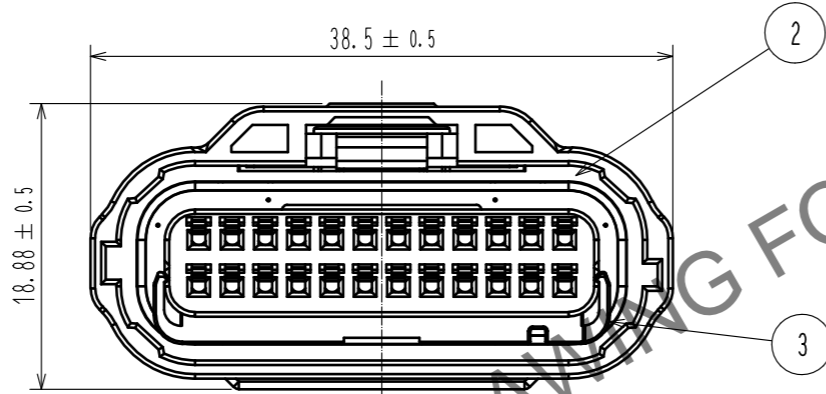
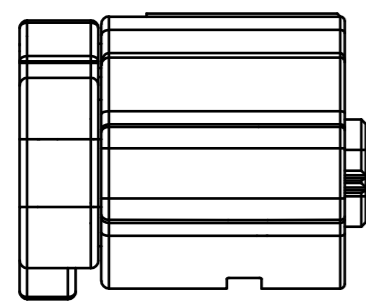
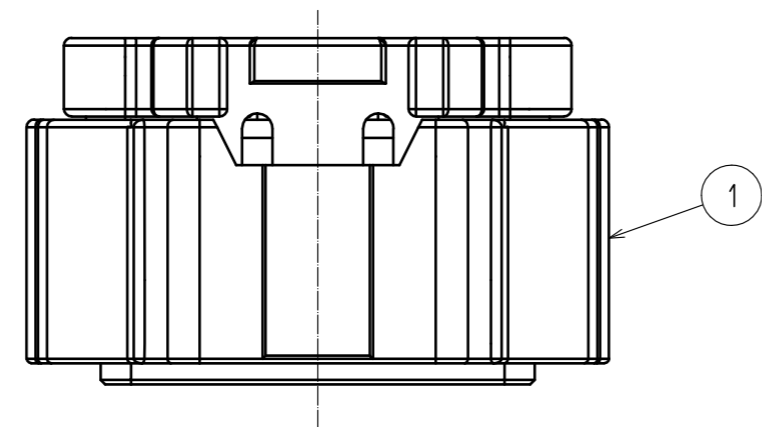
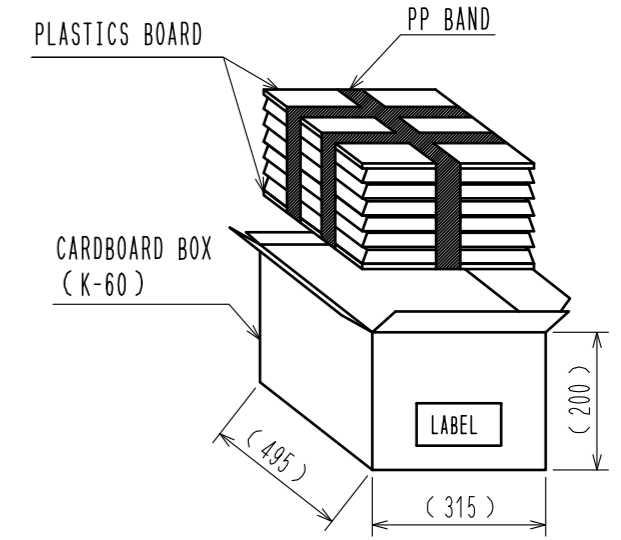


Apr.1.2026 Copyright 2026 HIROSE ELECTRIC CO., LTD. All Rights Reserved.
In case of consideration for using Automotive equipment / device which demand high reliability, kindly contact our sales window correspondents.

ELV. RoHS COMPLIANT

DELETE PAGES 2-5

PACKING STYLE



- NOTE 1. APPLICABLE MATING CONNECTOR : ZE064W-24DP-HU/R(B)
 2. THE APPLICABLE PARTS ARE AS FOLLOWS.
 CRIMP CONTACT : ZE064-2022SCF
 WATERPROOF CAP : ZE064W-WCP(2022)
 3. MAXIMUM NUMBER OF PRODUCT PER BOX : 55 PCS PER TRAY × 5 LAYERS = 275 PCS.
 PUT AN EMPTY TRAY ON THE TOP ROW.
 4. BEFORE USE, BE SURE TO REFER TO THE INSTRUCTION MANUAL ETAD-T0644-00.

3	PA	BEIGE, UL94 V-0			
2	SILICONE	RED, OIL BLEED	5	PBT	GRAY, UL94 V-0
1	PA	GRAY, UL94 V-0	4	SILICONE	RED, OIL BLEED
NO.	MATERIAL	FINISH, REMARKS	NO.	MATERIAL	FINISH, REMARKS
UNITS	mm	SCALE	2 : 1	COUNT	4
DESCRIPTION OF REVISIONS			DESIGNED	CHECKED	DATE
DIS-T-00016742			TY. MOGI	AH. EDASHIGE	20230124
APPROVED : HK. UMEHARA 20180613			DRAWING NO. EDC-374260-00-00		
CHECKED : HH. TSUKUMO 20180613			PART NO. ZE064W-24DS-HU/R(B)		
DESIGNED : AS. SHIBAHARA 20180613			CODE NO. CL0753-2006-0-00		
DRAWN : GYEONGMIN LEE 20180613			1/1		