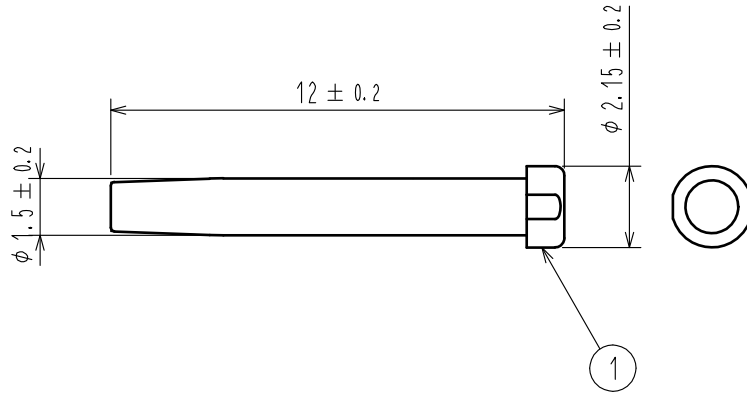
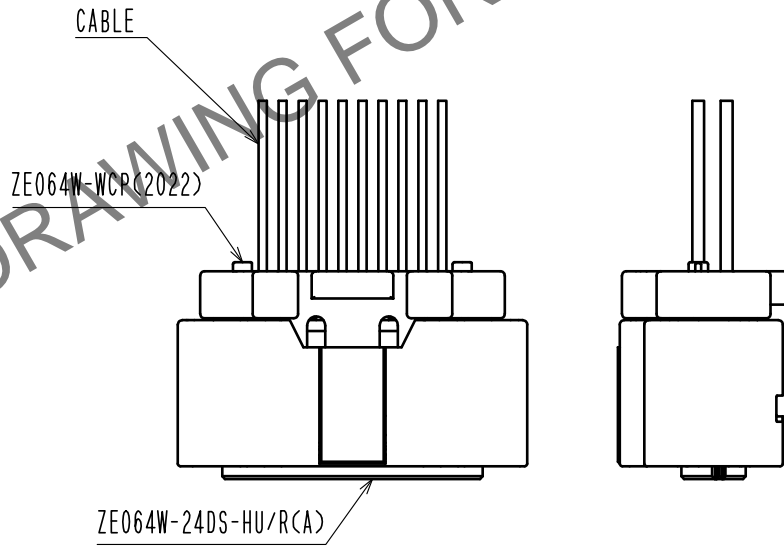


Apr.1.2026 Copyright 2026 HIROSE ELECTRIC CO., LTD. All Rights Reserved.
 In case of consideration for using Automotive equipment / device which demand high reliability, kindly contact our sales window correspondents.

ELV. RoHS COMPLIANT



WITH WATERPROOF CAP INSERTED (FREE)



NOTE 1. 1,000 PCS/PACK.

1	PBT	BROWN						
NO.	MATERIAL	FINISH	REMARKS	NO.	MATERIAL	FINISH	REMARKS	
UNITS mm		SCALE 5 : 1	COUNT 	DESCRIPTION OF REVISIONS		DESIGNED	CHECKED	DATE
HRS HIROSE ELECTRIC CO., LTD.	APPROVED	·HK. UMEHARA	18.03.23	DRAWING NO.		EDC-374261-00-00		F
	CHECKED	·HH. TSUKUMO	18.03.23	PART NO.		ZE064W-WCP(2022)		
	DESIGNED	·AS. SHIBAHARA	18.03.23	CODE NO.		CL753-2007-0-00		
	DRAWN	·SK. HANAWA	18.03.23					