

Apr.1.2026 Copyright 2026 HIROSE ELECTRIC CO., LTD. All Rights Reserved.
 In case of consideration for using Automotive equipment / device which demand high reliability, kindly contact our sales window correspondents.

ELV, RoHS COMPLIANT

DELETE PAGES 2-5

PACKING STYLE

PLASTICS BOARD

PP BAND

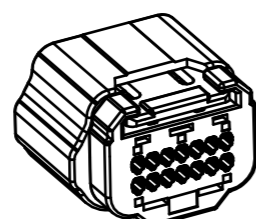
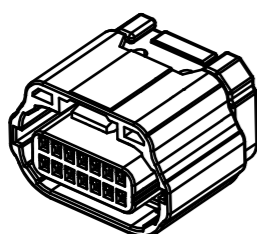
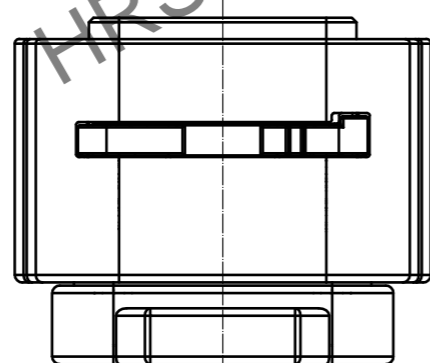
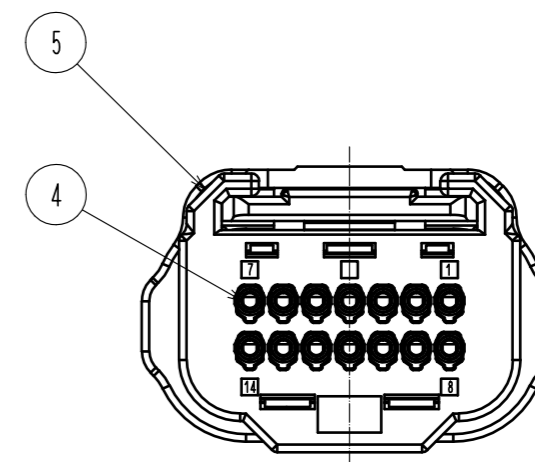
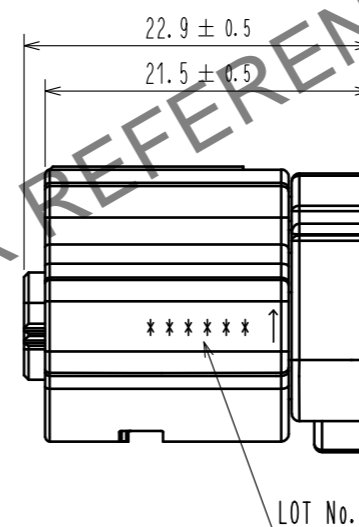
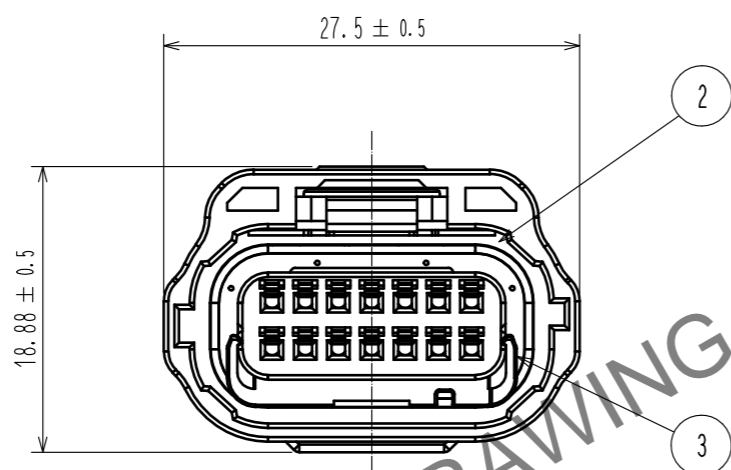
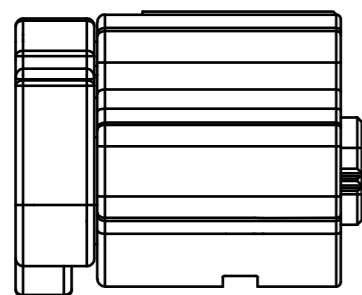
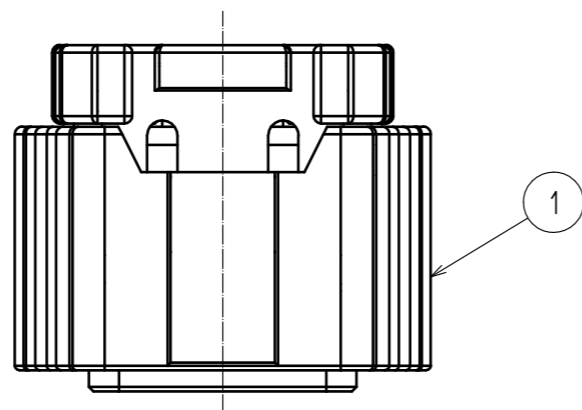
CARDBOARD BOX
(K-60)

LABEL

(495)

(315)

(200)



NOTE1. APPLICABLE MATING CONNECTOR : ZE064W-14DP-HU/R(A)

2. THE APPLICABLE PARTS ARE AS FOLLOWS.

CRIMP CONTACT : ZE064-2022SCF

WATERPROOF CAP : ZE064W-WCP(2022)

3. MAXIMUM NUMBER OF PRODUCT PER BOX: 96 PCS PER TRAY × 5 LAYERS = 480 PCS.

PUT AN EMPTY TRAY ON THE TOP ROW.

4. BEFORE USE, BE SURE TO REFER TO THE INSTRUCTION MANUAL ETAD-T0644-00.

NO.	MATERIAL	FINISH .	REMARKS	NO.	MATERIAL	FINISH .	REMARKS
3	PA	BEIGE.	UL94 V-0				
2	SILICONE	RED.	OIL BLEEDING	5	PBT	GRAY.	UL94 V-0
1	PA	BLACK.	UL94 V-0	4	SILICONE	RED.	OIL BLEEDING

UNITS	SCALE	COUNT	DESCRIPTION OF REVISIONS	DESIGNED	CHECKED	DATE
mm	2 : 1	2	DIS-T-00016743	TY. MOGI	AH. EDASHIGE	20230124

APPROVED	CHECKED	DESIGNED	DRAWN	DRAWING NO.	PART NO.	CODE NO.
HK. UMEHARA	HK. UMEHARA	HH. TSUKUMO	GYEONGMIN LEE	20190108	20190108	20190108
				EDC-378450-00-00	ZE064W-14DS-HU/R(A)	CL0753-2010-0-00