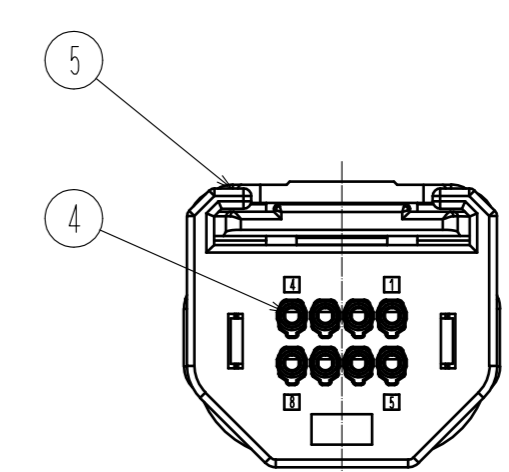
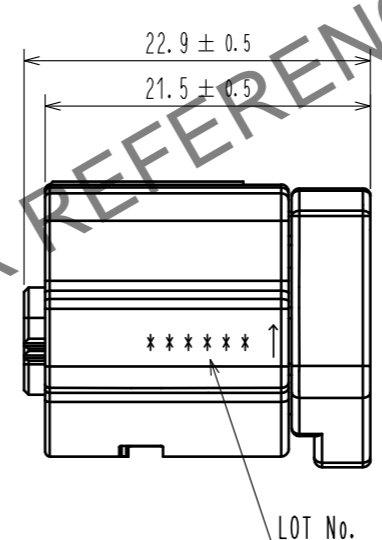
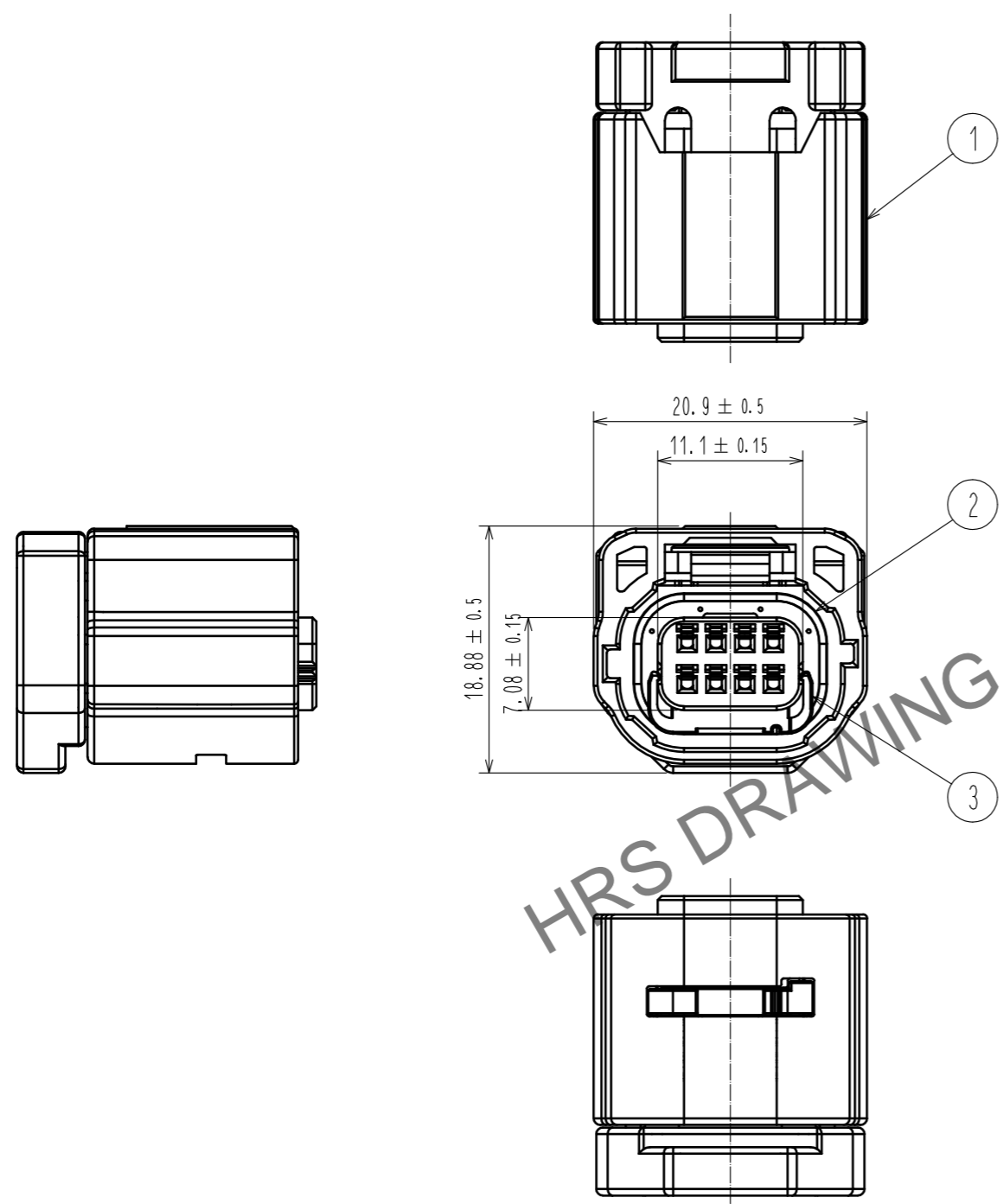
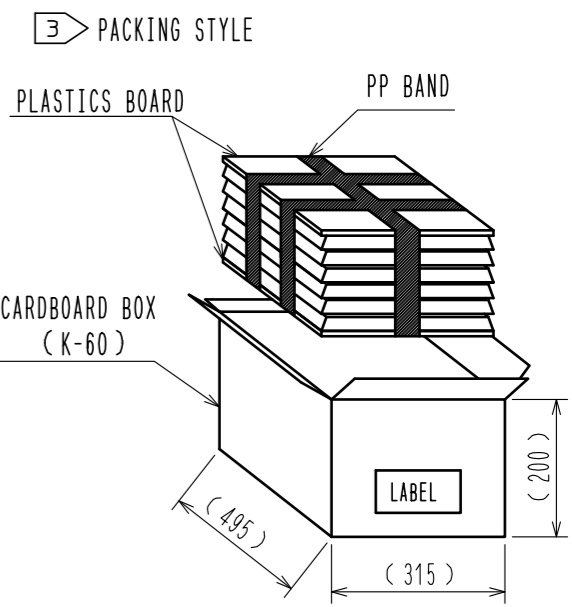


Apr.1.2026 Copyright 2026 HIROSE ELECTRIC CO., LTD. All Rights Reserved.
In case of consideration for using Automotive equipment / device which demand high reliability, kindly contact our sales window correspondents.

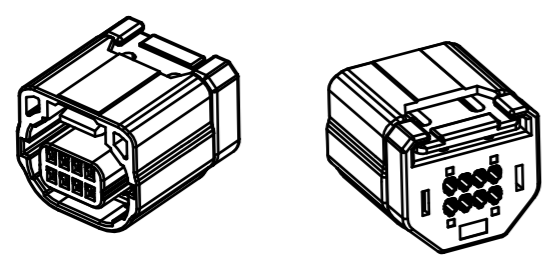
ELV, RoHS COMPLIANT

⚠ DELETE PAGES 2-5



HRS DRAWING FOR REFERENCE

- NOTE1. APPLICABLE MATING CONNECTOR : ZE064W-8DP-HU/R(A)
 2. THE APPLICABLE PARTS ARE AS FOLLOWS.
 CRIMP CONTACT : ZE064-2022SCF
 WATERPROOF CAP : ZE064W-WCP(2022)
 3. MAXIMUM NUMBER OF PRODUCT PER BOX: 120 PCS PER TRAY × 5 LAYERS = 600 PCS.
 PUT AN EMPTY TRAY ON THE TOP ROW.
 4. BEFORE USE, BE SURE TO REFER TO THE INSTRUCTION MANUAL ETAD-T0644-00.



3	PA	BEIGE, UL94 V-0	5	PBT	GRAY, UL94 V-0
2	SILICONE	RED, OIL BLEEDING ⚠	4	SILICONE	RED, OIL BLEEDING ⚠
1	PA	BLACK, UL94 V-0			
NO.	MATERIAL	FINISH . REMARKS	NO.	MATERIAL	FINISH . REMARKS
UNITS	mm	SCALE	2 : 1	COUNT	4
DESCRIPTION OF REVISIONS			DESIGNED	CHECKED	DATE
DIS-T-00016744			TY. MOGI	AH. EDASHIGE	20230124
APPROVED : HK. UMEHARA 20190216			DRAWING NO. EDC-381037-00-00		
CHECKED : HK. UMEHARA 20190216			PART NO. ZE064W-8DS-HU/R(A)		
DESIGNED : HH. TSUKUMO 20190216			CODE NO. CL0753-2015-0-00		
DRAWN : DS. HIROWATARI 20190216			1/1		