

Mar.1.2026 Copyright 2026 HIROSE ELECTRIC CO., LTD. All Rights Reserved.
In case of consideration for using Automotive equipment / device which demand high reliability, kindly contact our sales window correspondents.

ELV, RoHS COMPLIANT

DELETE PAGES 2-5

PACKING STYLE

PLASTICS BOARD

PP BAND

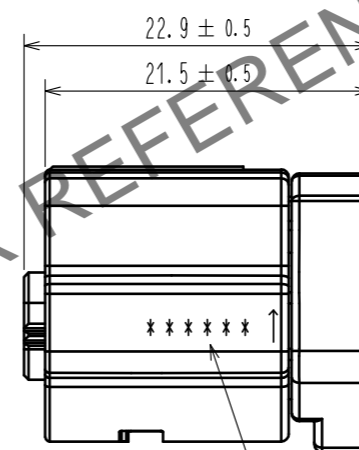
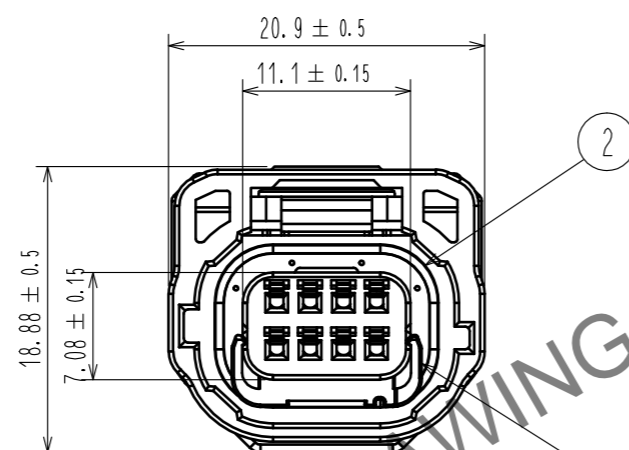
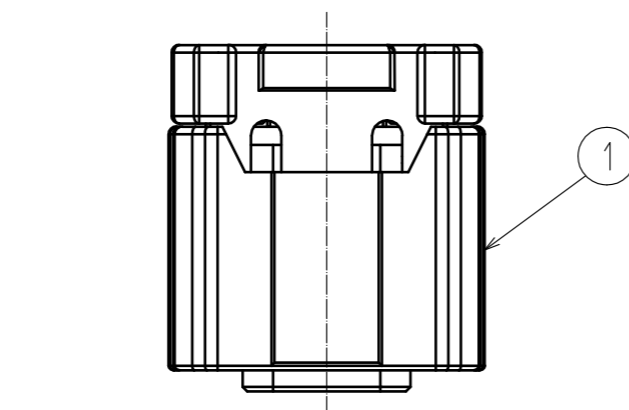
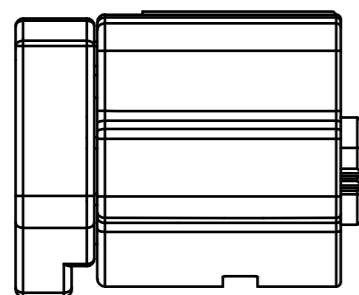
CARDBOARD BOX (K-60)

LABEL

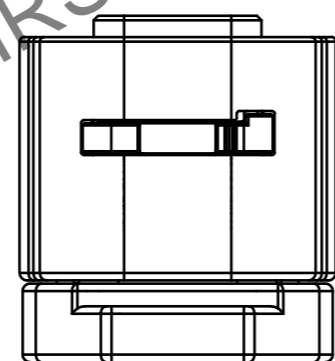
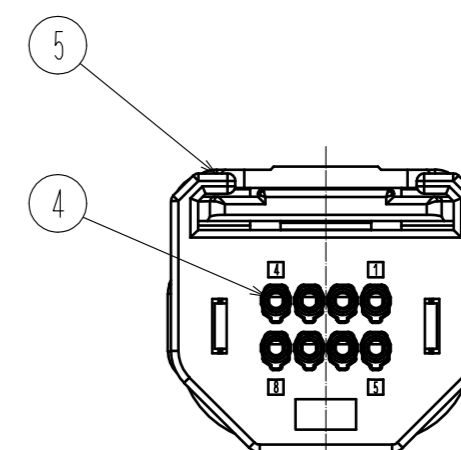
(495)

(315)

(200)



LOT No.



NOTE1. APPLICABLE MATING CONNECTOR : ZE064W-8DP-HU/R(B)

2. THE APPLICABLE PARTS ARE AS FOLLOWS.

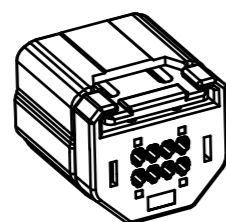
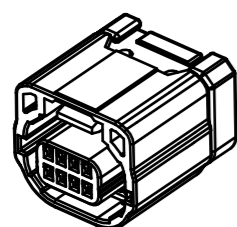
CRIMP CONTACT : ZE064-2022SCF

WATERPROOF CAP : ZE064W-WCP(2022)

3. MAXIMUM NUMBER OF PRODUCT PER BOX: 120 PCS PER TRAY × 5 LAYERS = 600 PCS.

PUT AN EMPTY TRAY ON THE TOP ROW.

4. BEFORE USE, BE SURE TO REFER TO THE INSTRUCTION MANUAL ETAD-T0644-00.



| | | | | | |
|---------------------------------|----------|-------------------|------------------------------|--------------|-------------------|
| 3 | PA | BEIGE, UL94 V-0 | | | |
| 2 | SILICONE | RED, OIL BLEEDING | 5 | PBT | GRAY, UL94 V-0 |
| 1 | PA | GRAY, UL94 V-0 | 4 | SILICONE | RED, OIL BLEEDING |
| NO. | MATERIAL | FINISH, REMARKS | NO. | MATERIAL | FINISH, REMARKS |
| UNITS | mm | SCALE | 2 : 1 | COUNT | 4 |
| DESCRIPTION OF REVISIONS | | | DESIGNED | CHECKED | DATE |
| DIS-T-00016744 | | | TY. MOGI | AH. EDASHIGE | 20230124 |
| APPROVED : HK. UMEHARA 20190216 | | | DRAWING NO. EDC-381038-00-00 | | |
| CHECKED : HK. UMEHARA 20190216 | | | PART NO. ZE064W-8DS-HU/R(B) | | |
| DESIGNED : HH. TSUKUMO 20190216 | | | CODE NO. CL0753-2016-0-00 | | |
| DRAWN : DS. HIROWATARI 20190216 | | | 1/1 | | |