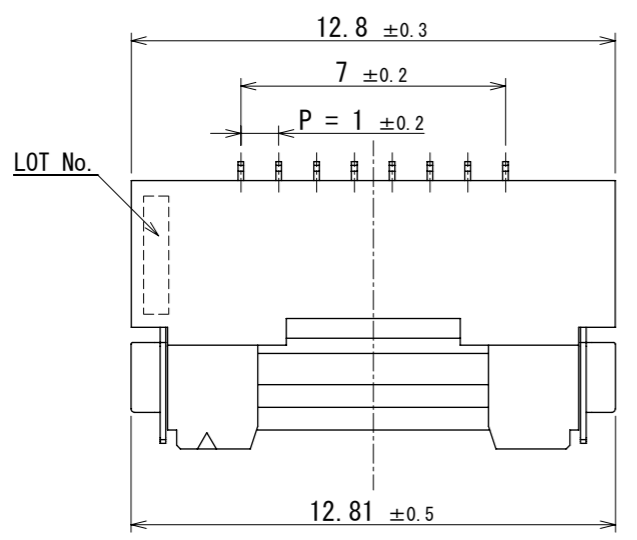
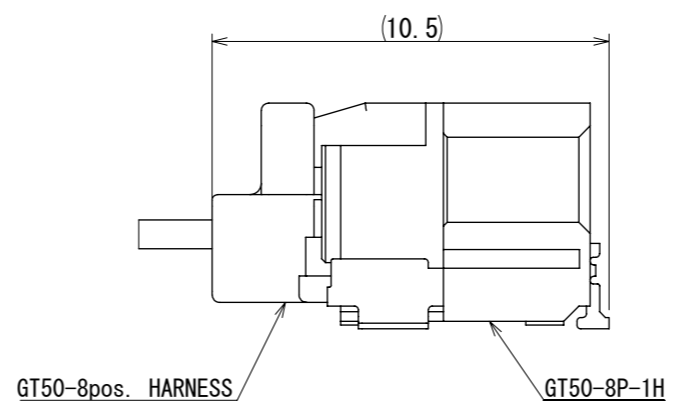


Mar.1.2025 Copyright 2025 HIROSE ELECTRIC CO., LTD. All Rights Reserved.
In case of consideration for using Automotive equipment / device which demand high reliability, kindly contact our sales window correspondents.

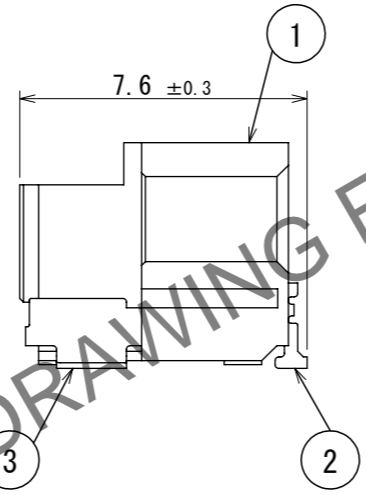
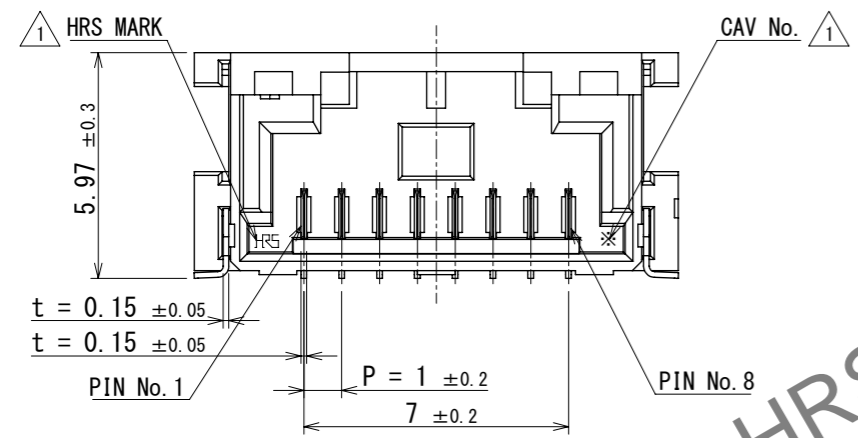
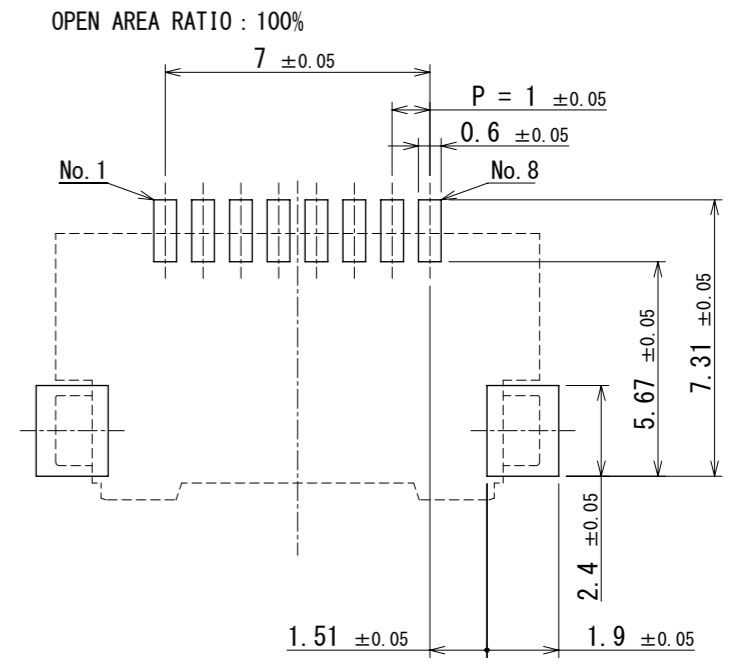
ELV. RoHS COMPLIANT



MATED CONNECTORS (FREE)

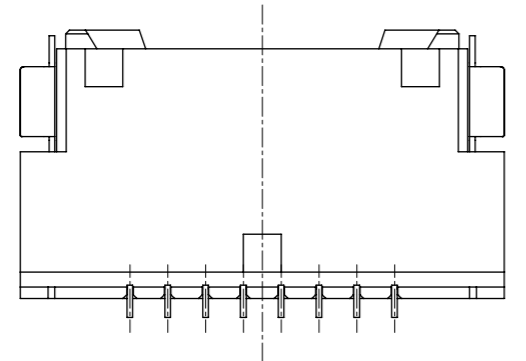
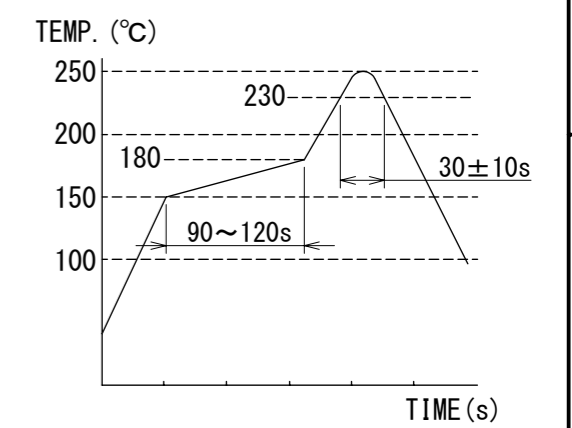


RECOMMENDED PCB PATTERN (FREE)



HRS DRAWING FOR REFERENCE

- NOTE 1. RECOMMENDED TEMPERATURE PROFILE FOR REFLOW (REFER TO RIGHT FIG.)
USED REFLOW SYSTEM
 : IR IN THE AIR OR NITROGEN
 NO. OF CYCLES : 2 MAX
 PEAK : 250°C
 OVER 230°C : 20~40s
 PREHEAT : 150~180°C
 90~120s
- △ 2. TEMPERATURE FOR SOLDERING IRON : 350~380°C WITHIN 5s
3. CO-PLANARITY : 0.1mm MAX
4. RECOMMENDED SOLDER THICKNESS : 0.10mm



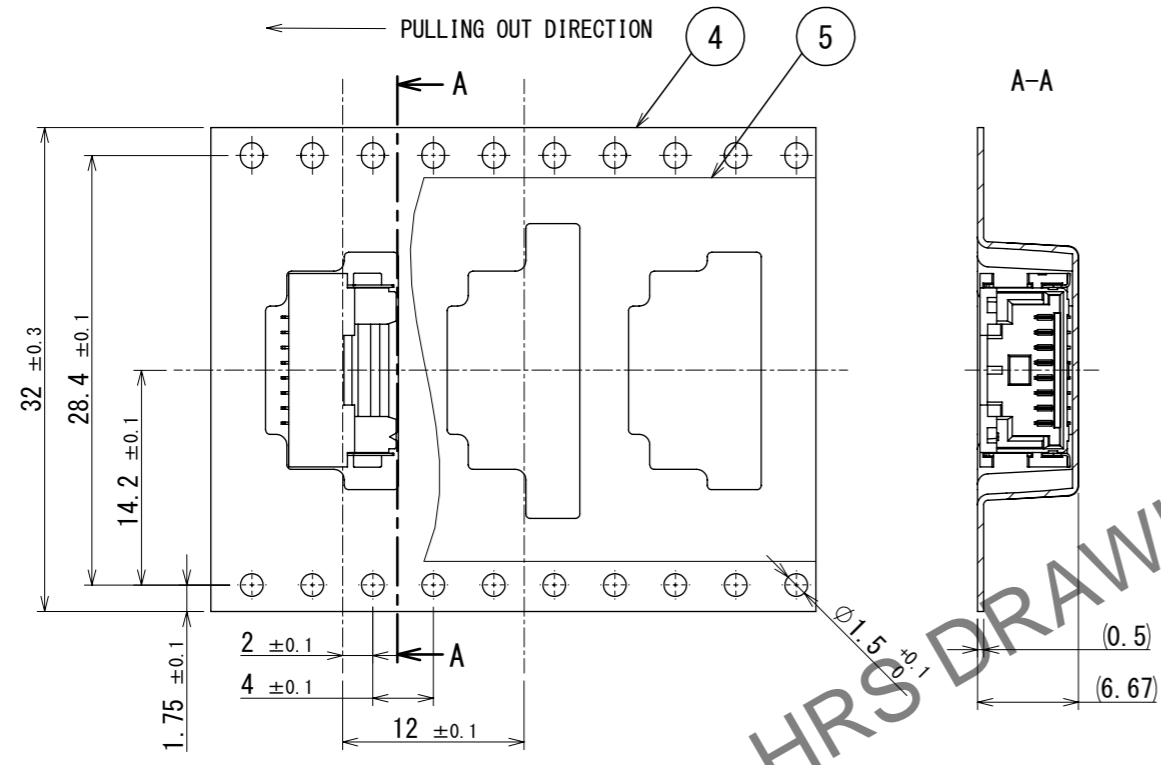
3	BRASS	TIN PLATING	6	POLYSTYRENE			
2	BRASS	Au PLATING	5	POLYESTER			
1	LCP	BLACK	4	POLYSTYRENE			
NO.	MATERIAL	FINISH	REMARKS	NO.	MATERIAL	FINISH	REMARKS
UNITS	mm	SCALE	5:1	COUNT	△	DESCRIPTION OF REVISIONS	DIS-T-00020330
APPROVED : AH. EDASHIGE 2023. 10. 12				DESIGNED : RS. TAKAGI			
CHECKED : HH. TSUKUMO 2023. 10. 12				CHECKED : HH. TSUKUMO			
DESIGNED : RS. TAKAGI 2023. 10. 11				DATE : 2024. 03. 05			
DRAWN : RS. TAKAGI 2023. 10. 11				DRAWING NO. : EDC-392591-00-00			
HRS HIROSE ELECTRIC CO., LTD.				PART NO. : GT50-8P-1H			
				CODE NO. : CL0760-1008-0-00			

Mar.1.2025 Copyright 2025 HIROSE ELECTRIC CO., LTD. All Rights Reserved.
In case of consideration for using Automotive equipment / device which demand high reliability, kindly contact our sales window correspondents.

PACKING STYLE (FREE)

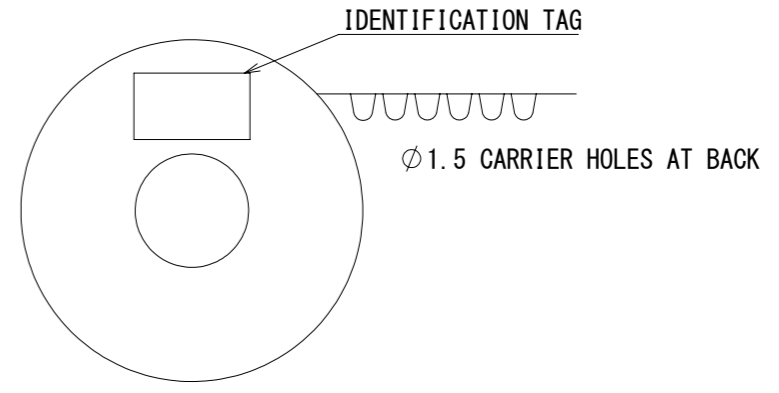
A
B
C
D
E
F

PACKING STYLE DRAWING

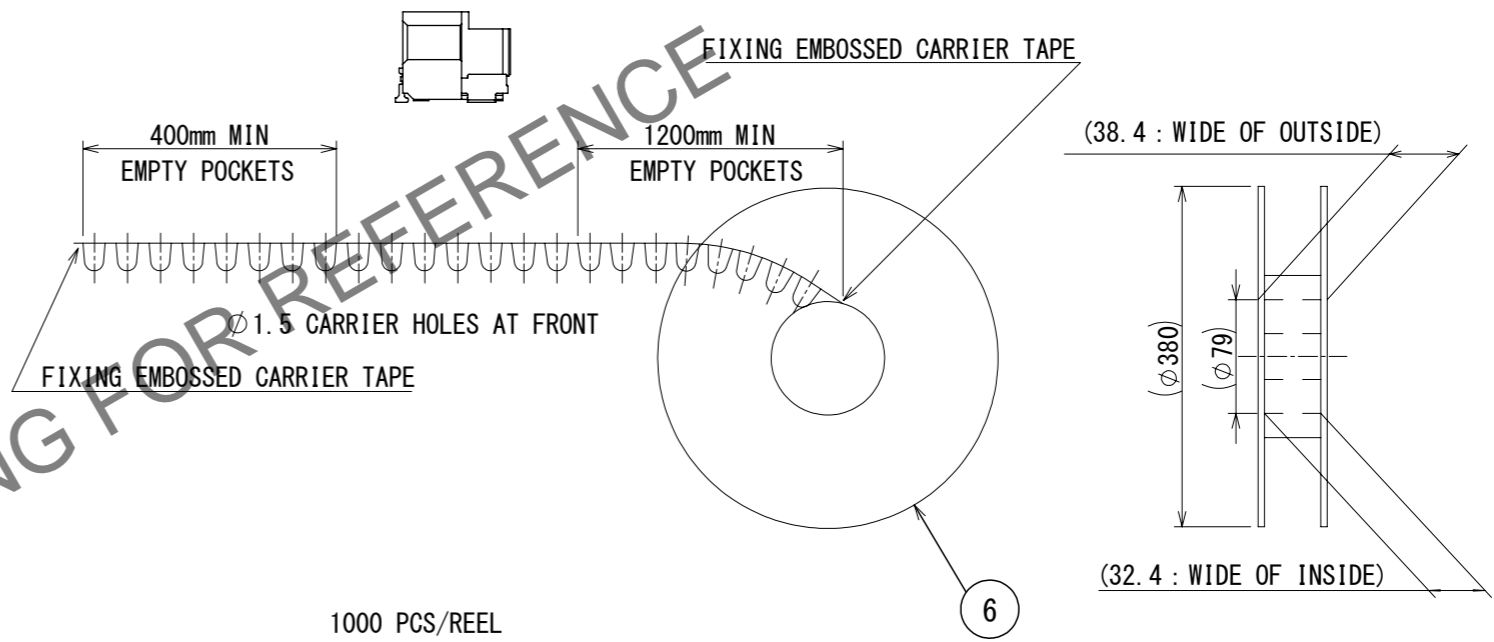


※Embossed pocket has a different shape to prevent overlapping, and the drawing shows a representative shape.

REEL DIMENSION



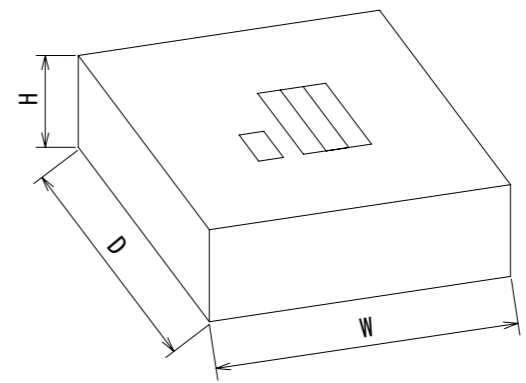
PRODUCTS DIRECTION



1000 PCS/REEL

CARDBOARD DIMENSION

W = (405) (mm)
D = (405) (mm)
H = (39) (mm)



HRS	DRAWING NO.	EDC-392591-00-00	2/2
	PART NO.	GT50-8P-1H	
	CODE NO.	CL0760-1008-0-00	