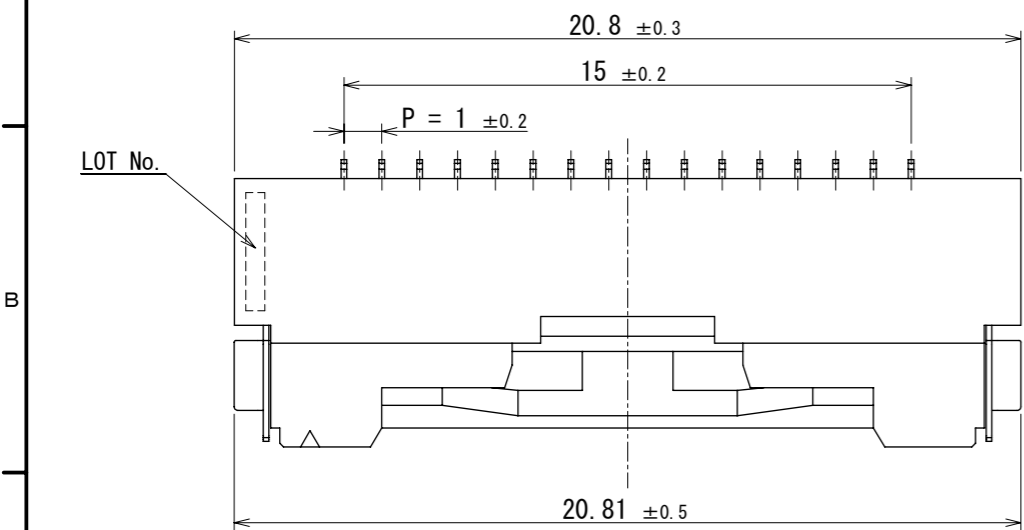
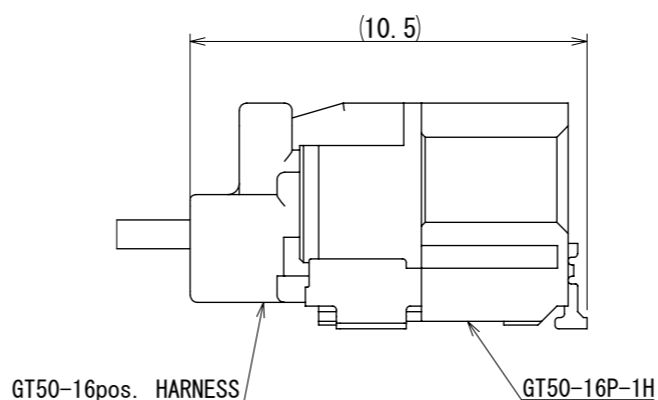


Feb.1.2025 Copyright 2025 HIROSE ELECTRIC CO., LTD. All Rights Reserved.
In case of consideration for using Automotive equipment / device which demand high reliability, kindly contact our sales window correspondents.

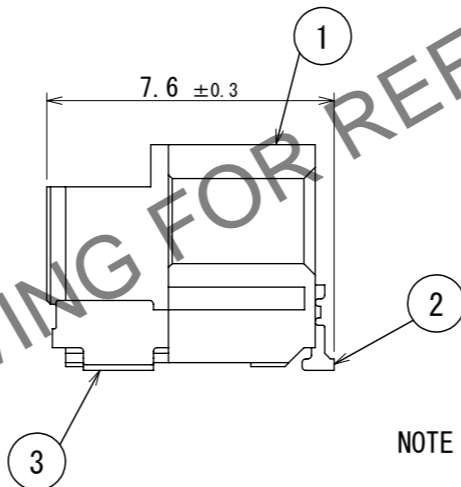
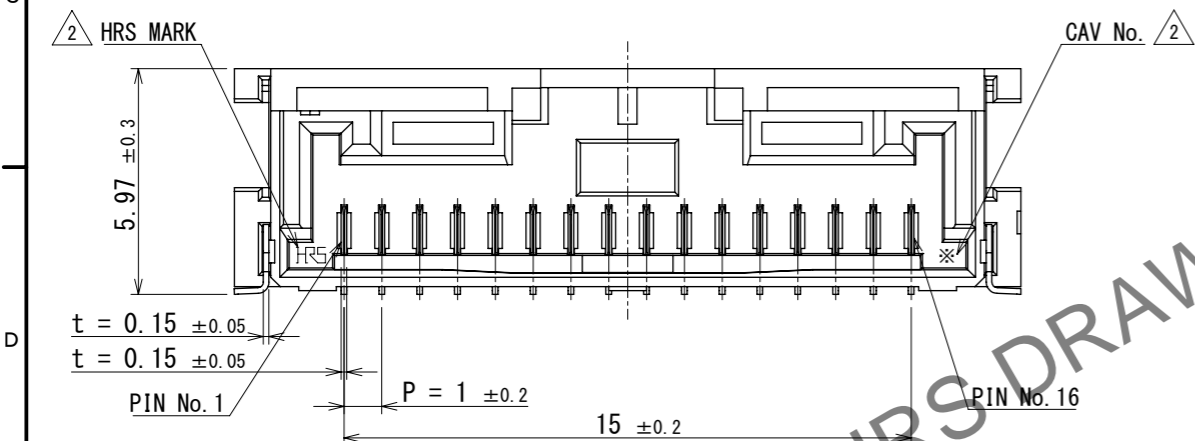
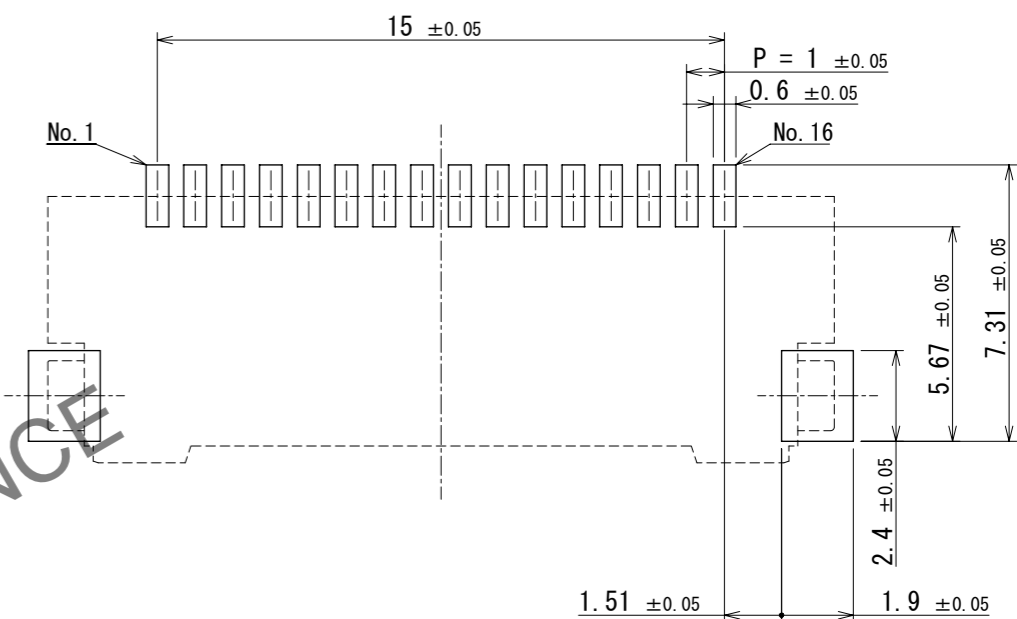
ELV. RoHS COMPLIANT



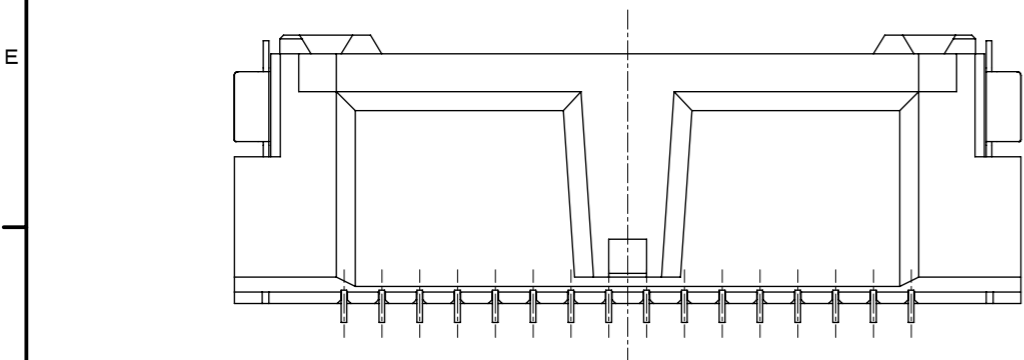
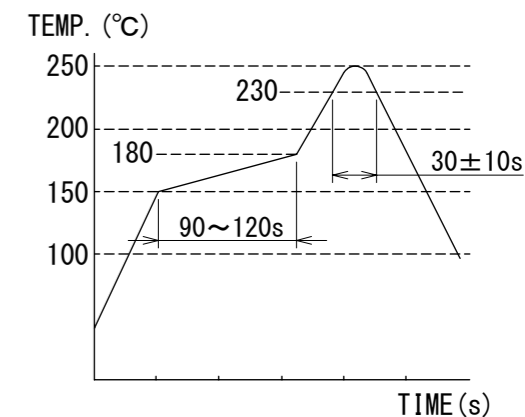
MATED CONNECTORS (FREE)



RECOMMENDED PCB PATTERN (FREE)
OPEN AREA RATIO : 100%



- NOTE 1. RECOMMENDED TEMPERATURE PROFILE FOR REFLOW (REFER TO RIGHT FIG.)
USED REFLOW SYSTEM
- NO. OF CYCLES : 2 MAX
 - PEAK : 250°C
 - OVER 230°C : 20~40s
 - PREHEAT : 150~180°C
 - 90~120s
- △ 2. TEMPERATURE FOR SOLDERING IRON : 350~380°C WITHIN 5s
3. CO-PLANARITY : 0.1mm MAX
4. RECOMMENDED SOLDER THICKNESS : 0.10mm



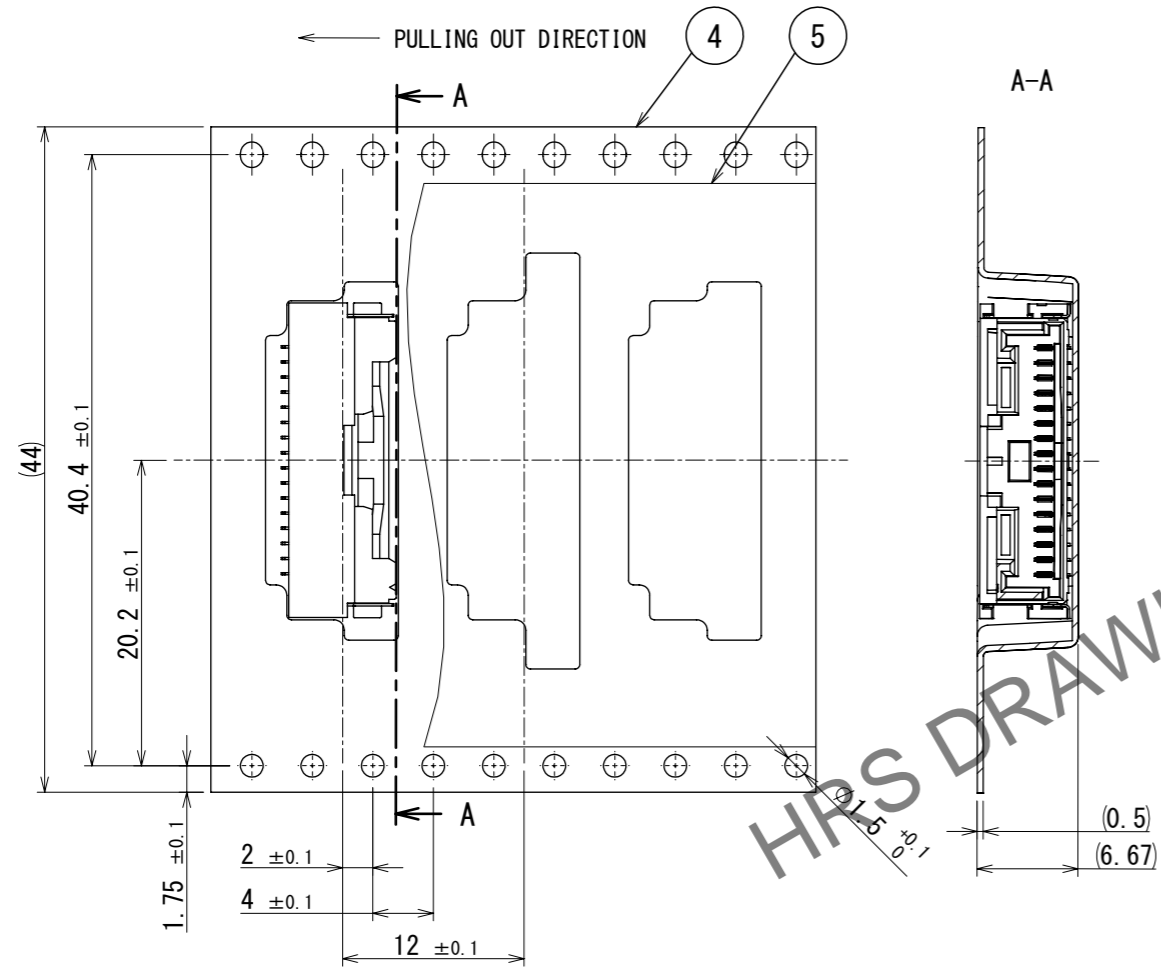
3	BRASS	TIN PLATING	6	POLYSTYRENE			
2	BRASS	Au PLATING	5	POLYESTER			
1	LCP	BLACK	4	POLYSTYRENE			
NO.	MATERIAL	FINISH	REMARKS	NO.	MATERIAL	FINISH	REMARKS
UNITS	mm	SCALE	5:1	COUNT	5	DESCRIPTION OF REVISIONS	DIS-T-00020330
DESIGNED		RS. TAKAGI		CHECKED		HH. TSUKUMO	
DATE		2024. 03. 05		APPROVED		HK. UMEHARA 2020. 12. 24	
DRAWING NO.		EDC-392595-00-00		PART NO.		GT50-16P-1H	
CODE NO.		CL0760-1012-0-00		DRAWN		YT. TAKANASHI 2020. 12. 22	

Feb.1.2025 Copyright 2025 HIROSE ELECTRIC CO., LTD. All Rights Reserved.
 In case of consideration for using Automotive equipment / device which demand high reliability, kindly contact our sales window correspondents.

PACKING STYLE (FREE)

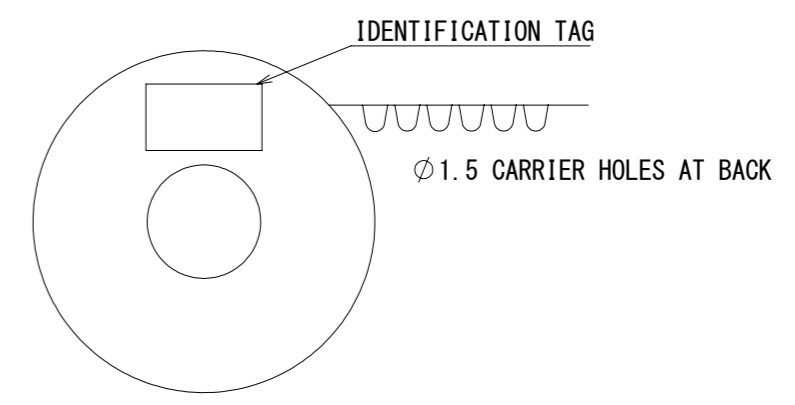
A
B
C
D
E
F

PACKING STYLE DRAWING

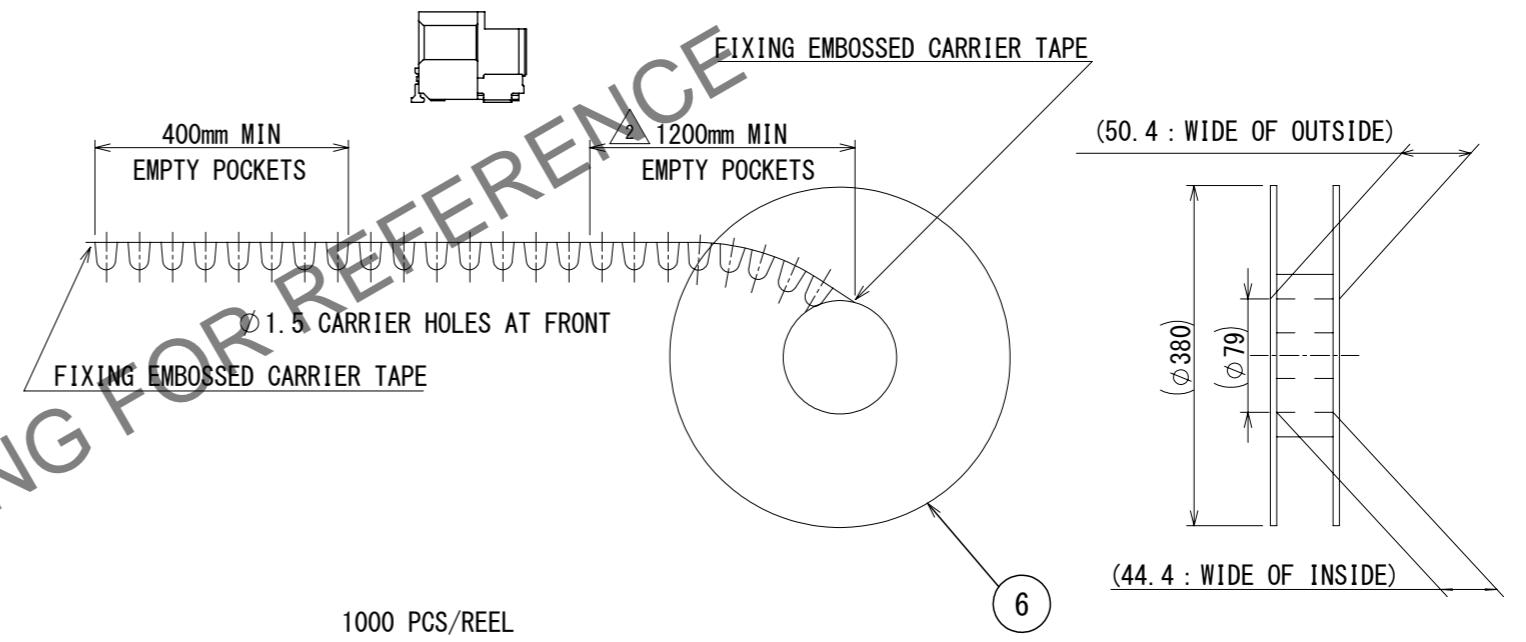


△※ Embossed pocket has a different shape to prevent overlapping, and the drawing shows a representative shape.

REEL DIMENSION



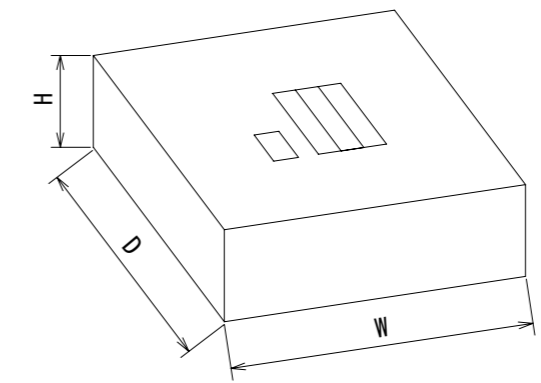
PRODUCTS DIRECTION



1000 PCS/REEL

CARDBOARD DIMENSION

W = (405) (mm)
 D = (405) (mm)
 H = (51) (mm)



HRS DRAWING FOR REFERENCE

HRS	DRAWING NO.	EDC-392595-00-00	△ 2/2
	PART NO.	GT50-16P-1H	
	CODE NO.	CL0760-1012-0-00	