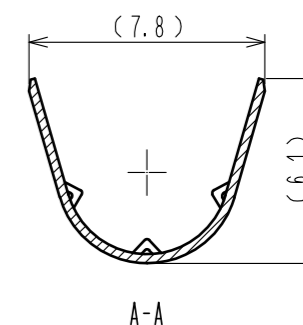
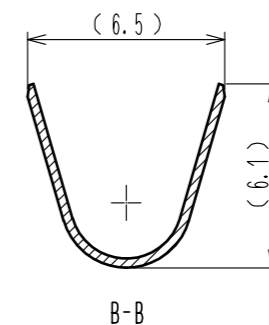
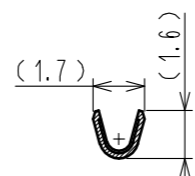
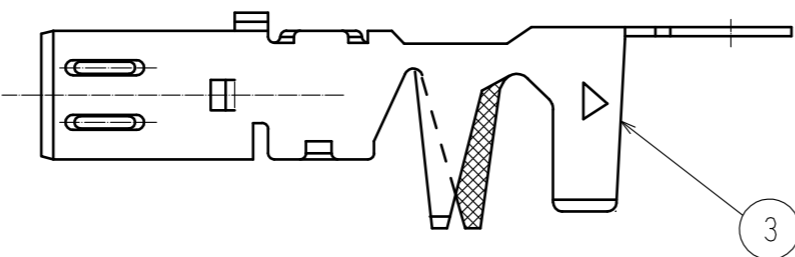
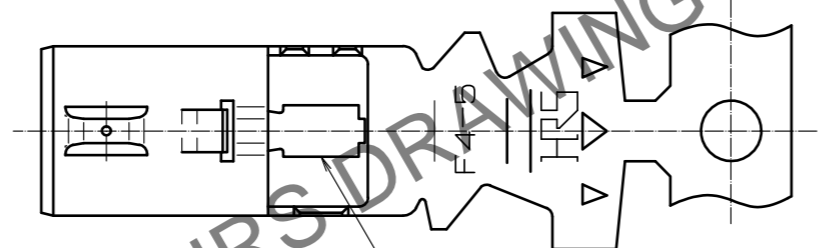
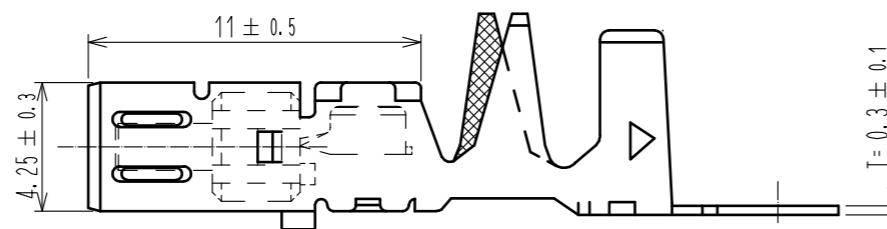
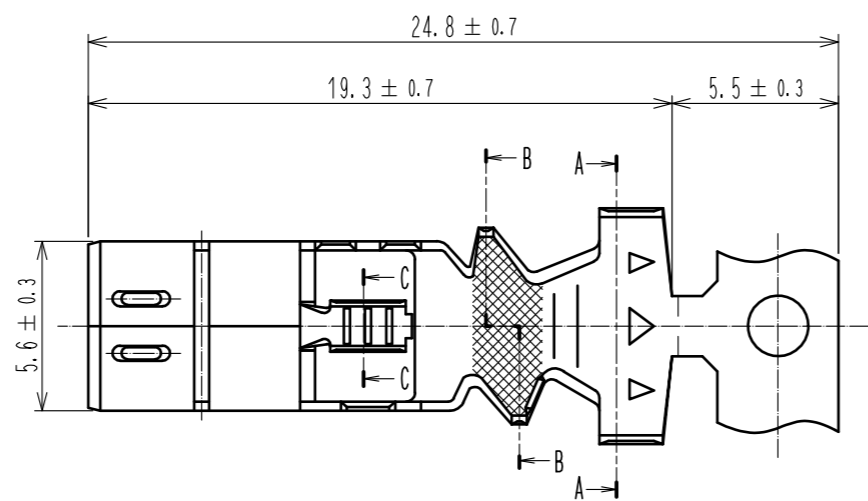


Apr.1.2026 Copyright 2026 HIROSE ELECTRIC CO., LTD. All Rights Reserved.  
 In case of consideration for using Automotive equipment / device which demand high reliability, kindly contact our sales window correspondents.

ELV. RoHS COMPLIANT



HRS DRAWING FOR REFERENCE

NOTES) 1. PER REEL:2200 CONTACTS.  
 2. THIS REEL DIAMETER SHALL BE  $\phi 750$ . AND CRIMPING MACHINE NEEDS ADDITIONAL PARTS AS CM105/RS-GT.

2	PBT	DARK GRAY						
1	PHOSPHOR BRONZE	TIN PLATING	3	BRASS	TIN PLATING			
NO.	MATERIAL	FINISH . REMARKS	NO.	MATERIAL	FINISH . REMARKS			
UNITS mm			SCALE 4 : 1	COUNT 	DESCRIPTION OF REVISIONS	DESIGNED	CHECKED	DATE
<b>HRS</b> HIROSE ELECTRIC CO., LTD.		APPROVED : KI. HIROKAWA	20200327	DRAWING NO. EDC-165982-55-00				
		CHECKED : MO. OKADA	20200327	PART NO. GT13-2428/F4-5SCF(55)				
		DESIGNED : NK. IKUTA	20200327	CODE NO. CL763-0051-1-55				
		DRAWN : YK. MITSUISHI	20200318					