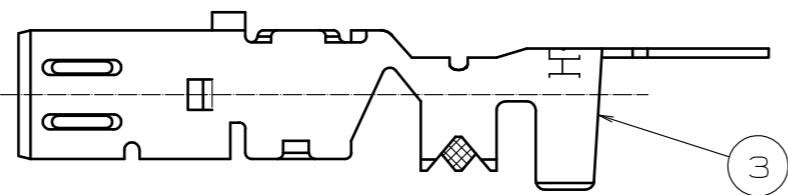
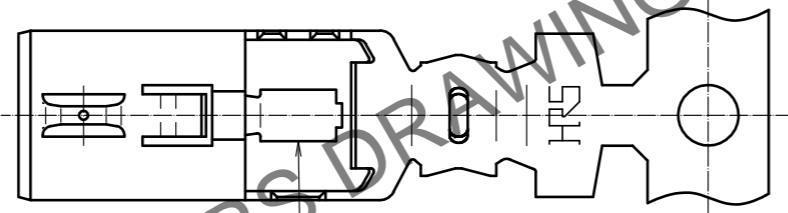
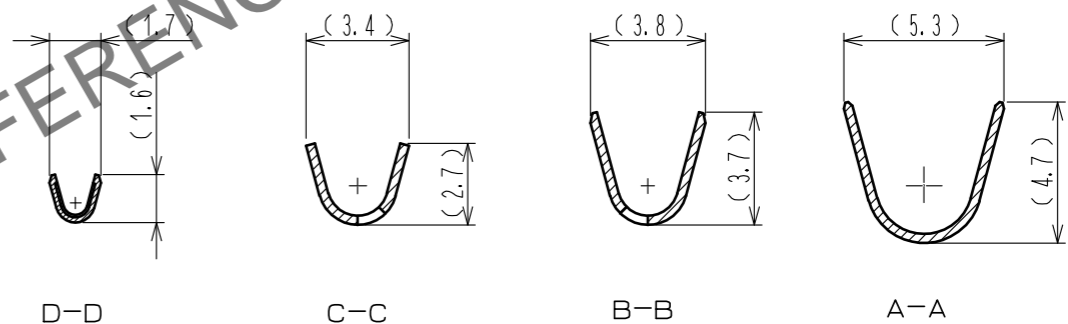
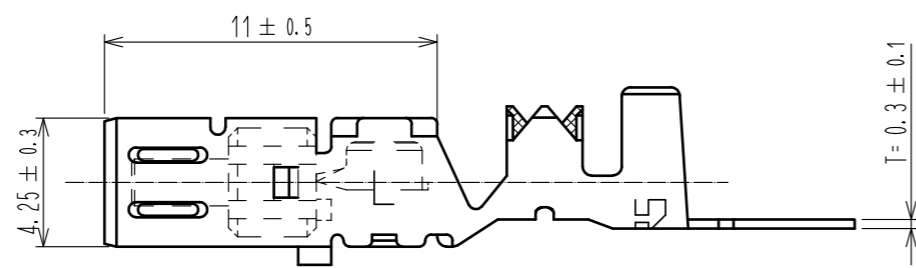
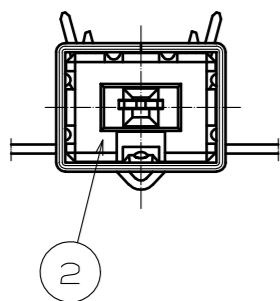
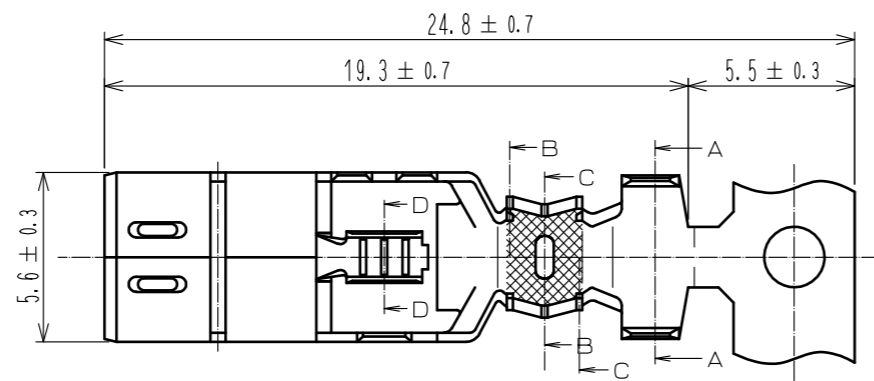


Apr.1.2026 Copyright 2026 HIROSE ELECTRIC CO., LTD. All Rights Reserved.  
 In case of consideration for using Automotive equipment / device which demand high reliability, kindly contact our sales window correspondents.

ELV. RoHS COMPLIANT



NOTE1. PER REEL : 3,000 CONTACTS.

2	PBT	DARK GLAY, UL94HB			
1	COPPER ALLOY	TIN PLATING	3	COPPER ALLOY	TIN PLATING
NO.	MATERIAL	FINISH . REMARKS	NO.	MATERIAL	FINISH . REMARKS
UNITS mm		SCALE 4 : 1	COUNT 	DESCRIPTION OF REVISIONS	DESIGNED
		APPROVED : KI. HIROKAWA	20200327	DRAWING NO. EDC-371703-55-00	
HIROSE ELECTRIC CO., LTD.		CHECKED : MO. OKADA	20200327	PART NO. GT13L-2428/1.6-2.9SCF(55)	
		DESIGNED : NK. IKUTA	20200327	CODE NO. CL763-0132-0-55	
		DRAWN : YK. MITSUISHI	20200318		