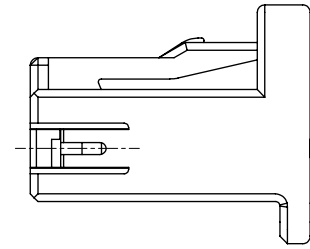
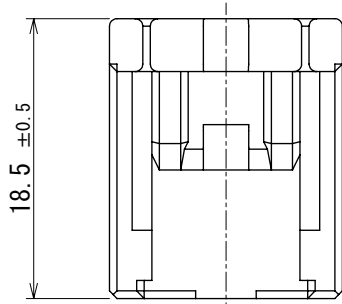
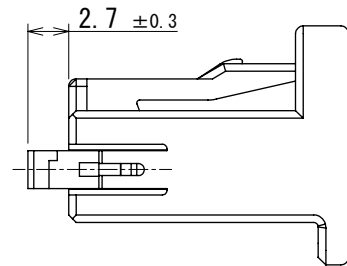
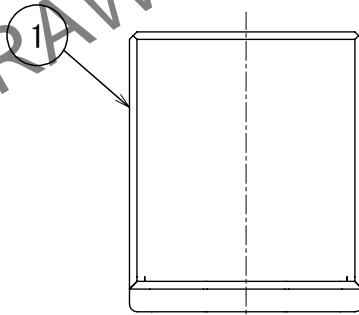
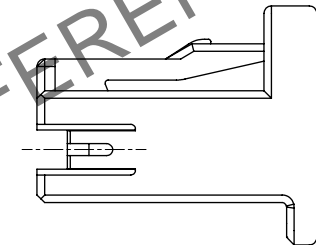
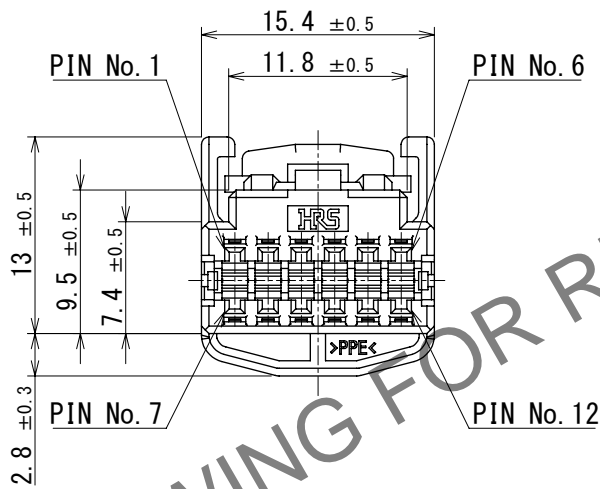


Mar.1.2025 Copyright 2025 HIROSE ELECTRIC CO., LTD. All Rights Reserved.
In case of consideration for using Automotive equipment / device which demand high reliability, kindly contact our sales window correspondents.

ELV, RoHS COMPLIANT



② RETAINER COMPLETELY ASSEMBLED CONDITION



① RETAINER PRESET CONDITION

NOTE. ① Use this product with retainer GT25-12DS-R preset.
Retainer GT25-12DS-R product No. : CL0775-0041-8

NOTE. ② RETAINER TO BE COMPLETELY ASSEMBLED INTO POSITION AFTER CONTACT IS INSERTED.

△ NOTE. 3 PLEASE REFER TO INSTRUCTION SHEET ETAD-T0329-00 BEFORE USE.

1	PPE	BLACK						
NO.	MATERIAL	FINISH	REMARKS	NO.	MATERIAL	FINISH	REMARKS	
UNITS mm		SCALE 2:1	COUNT 1	DESCRIPTION OF REVISIONS DIS-T-00017996		DESIGNED AN. SAIKI	CHECKED TY. MOGI	DATE 2023.07.21
HIROSE ELECTRIC CO., LTD.		APPROVED : AR. SHIRAI	2017.04.20	DRAWING NO.		EDC-168735-50-00		
		CHECKED : HS. OZAWA	2017.04.20	PART NO.		GT25-12DS-HU (50)		
		DESIGNED : TK. SHISHIKURA	2017.04.20	CODE NO.		CL0775-0037-0-50		
		DRAWN : TK. SHISHIKURA	2017.04.20					