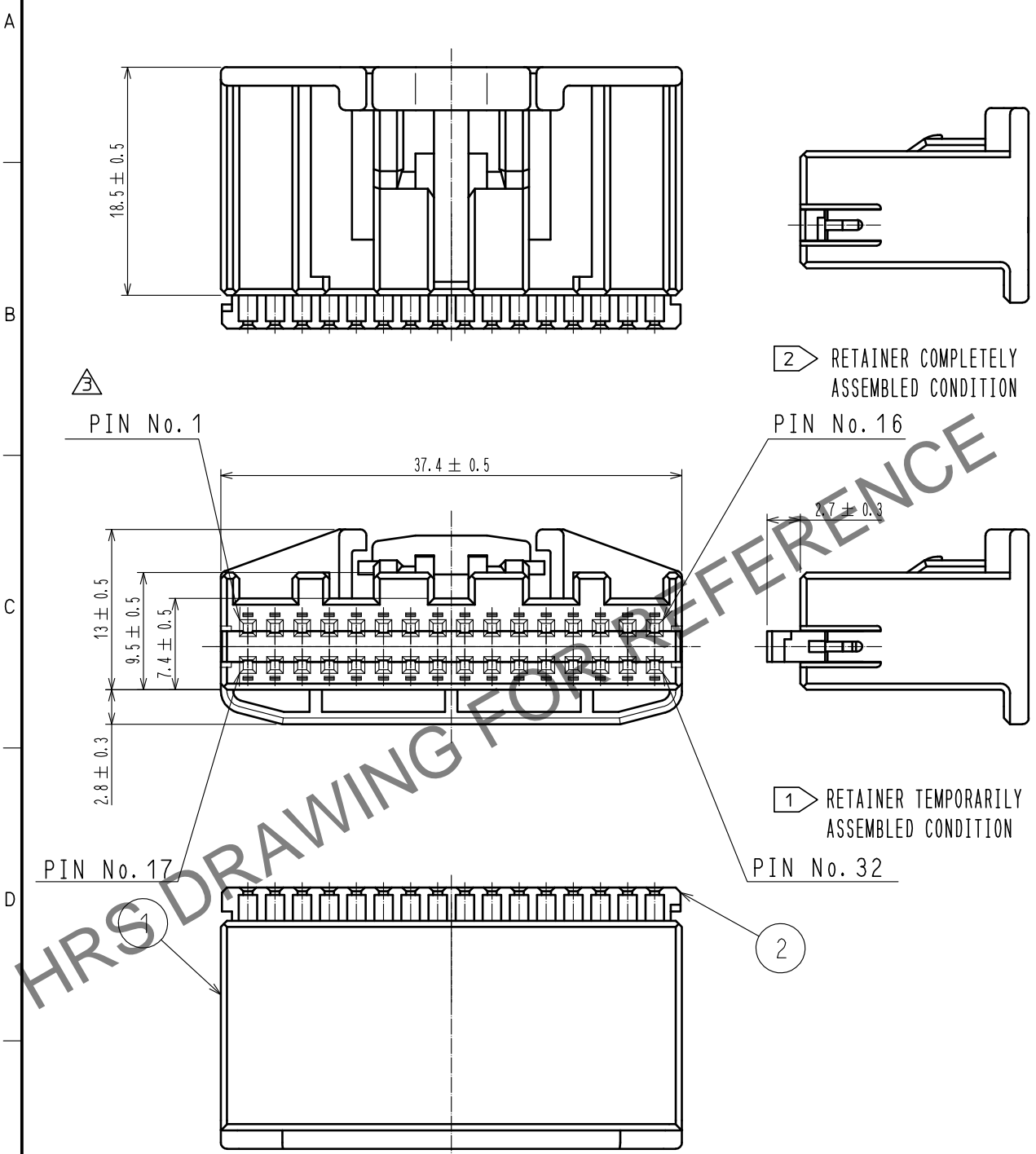


Mar.1.2025 Copyright 2025 HIROSE ELECTRIC CO., LTD. All Rights Reserved.  
In case of consideration for using Automotive equipment / device which demand high reliability, kindly contact our sales window correspondents.

ELV. RoHS COMPLIANT



NOTE. 1 RETAINER IS TEMPORARILY ASSEMBLED INTO HOUSING.  
NOTE. 2 RETAINER TO BE COMPLETELY ASSEMBLED INTO POSITION AFTER CONTACT IS INSERTED.

1	PPE	BLACK	2	PBT	DARK GRAY		
NO.	MATERIAL	FINISH . REMARKS	NO.	MATERIAL	FINISH . REMARKS		
UNITS mm		SCALE 2 : 1	COUNT 3 1	DESCRIPTION OF REVISIONS DIS-T-00000407	DESIGNED YT. HAYAKAWA	CHECKED HS. OZAWA	DATE 15. 07. 14
HIROSE ELECTRIC CO., LTD.		APPROVED : AR. SHIRAI	12. 01. 05	DRAWING NO.	EDC4-169062-00		
		CHECKED : NH. NAKATA	12. 01. 05	PART NO.	GT25-32DS-HU/R		
		DESIGNED : TK. SHISHIKURA	12. 01. 05	CODE NO.	CL775-0044-6-00		
		DRAWN : TK. SHISHIKURA	12. 01. 05				