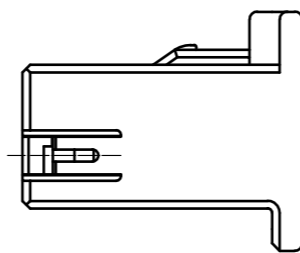
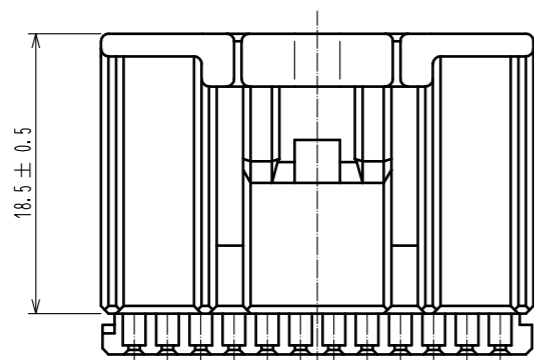
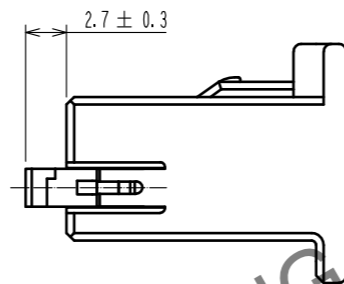
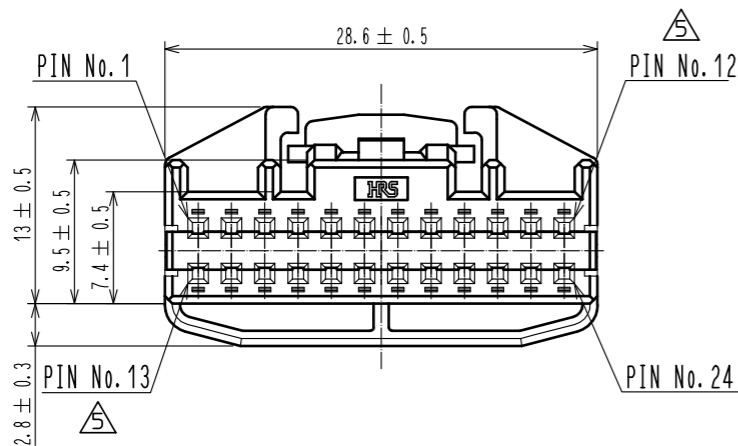


Mar.1.2025 Copyright 2025 HIROSE ELECTRIC CO., LTD. All Rights Reserved.
In case of consideration for using Automotive equipment / device which demand high reliability, kindly contact our sales window correspondents.

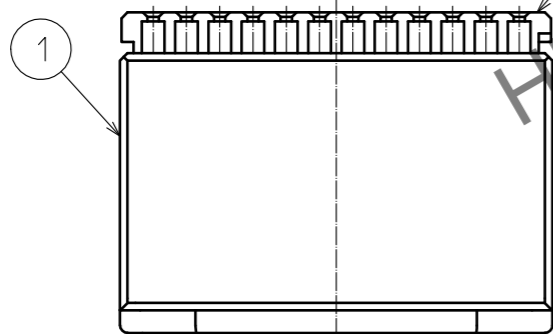
ELV·RoHS COMPLIANT



2 RETAINER COMPLETELY ASSEMBLED CONDITION

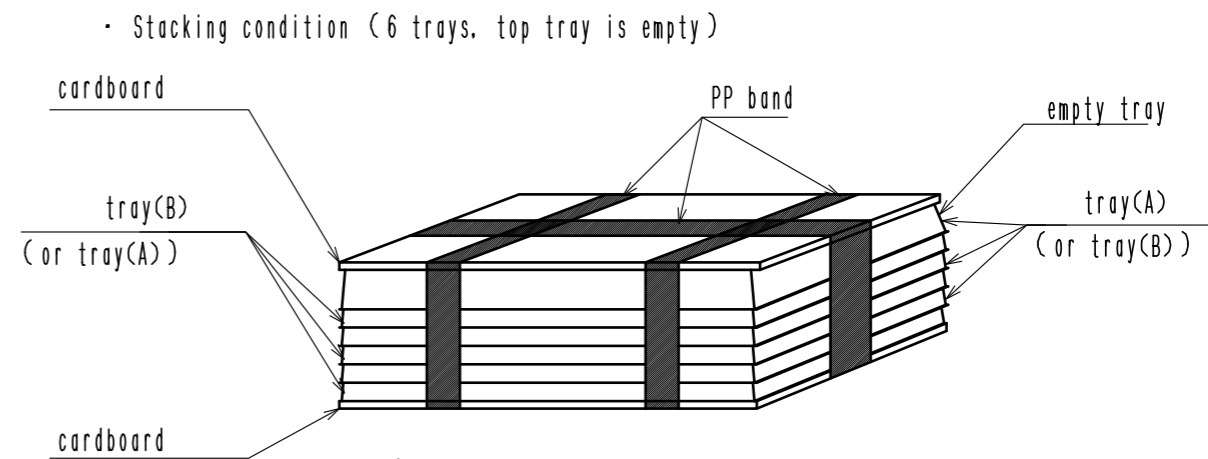


1 RETAINER TEMPORARILY ASSEMBLED CONDITION

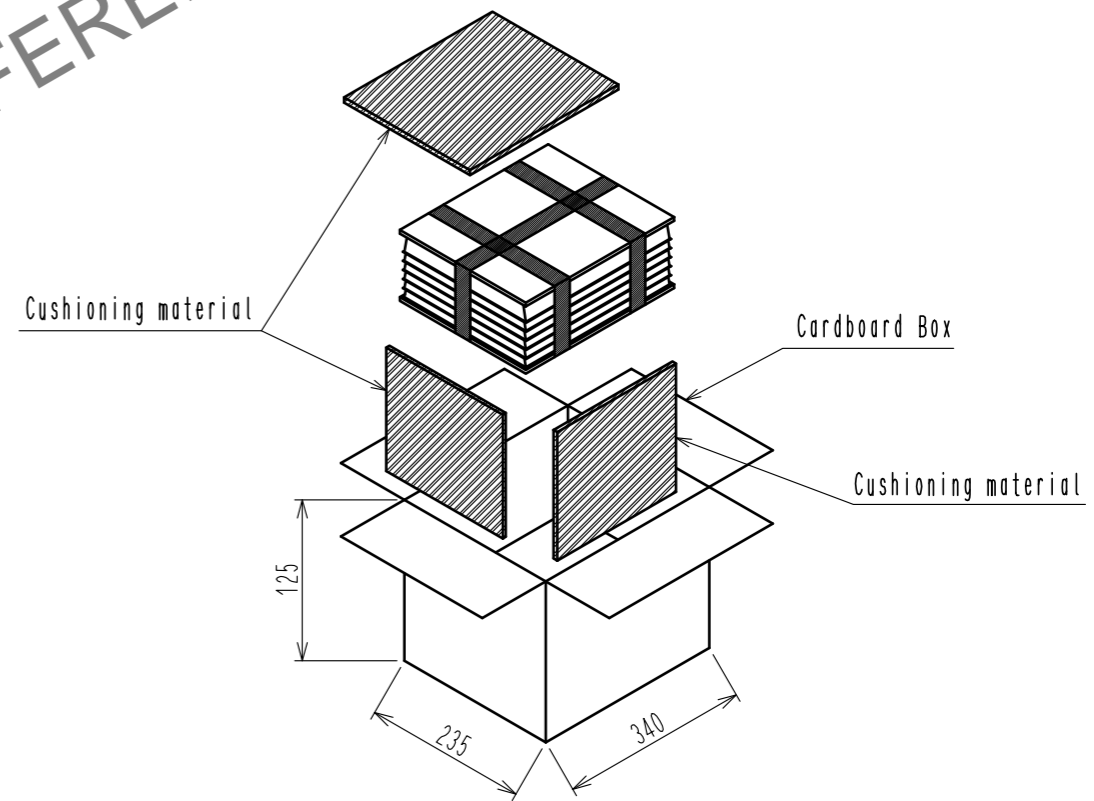


NOTE. 1 RETAINER IS TEMPORARILY ASSEMBLED INTO HOUSING.
NOTE. 2 RETAINER TO BE COMPLETELY ASSEMBLED INTO POSITION AFTER CONTACT IS INSERTED.
NOTE. 3 PACKAGE SPECIFICATION

3 PACKAGE SPECIFICATION



Cardboard box package condition. (60pcs/stack × 5 stacks = 300pcs)



1	PPE	BLACK	2	PBT	DARK GRAY		
NO.	MATERIAL	FINISH . REMARKS	NO.	MATERIAL	FINISH . REMARKS		
UNITS mm		SCALE 2 : 1	COUNT 2	DESCRIPTION OF REVISIONS DIS-T-00008840	DESIGNED AN. SAIKI	CHECKED HH. TSUKUMO	DATE 20210330
HRS HIROSE ELECTRIC CO., LTD.		APPROVED : AR. SHIRAI 20120111	DRAWING NO. EDC4-169088-00				
		CHECKED : NH. NAKATA 20120111	PART NO. GT25-24DS-HU/R				
		DESIGNED : TK. SHISHIKURA 20120109	CODE NO. CL0775-0046-1-00				
		DRAWN : TK. SHISHIKURA 20120109					